

Jack Play Tower With Platform, Double Swing With Trapeze And Picknicktable

Instruction Manual

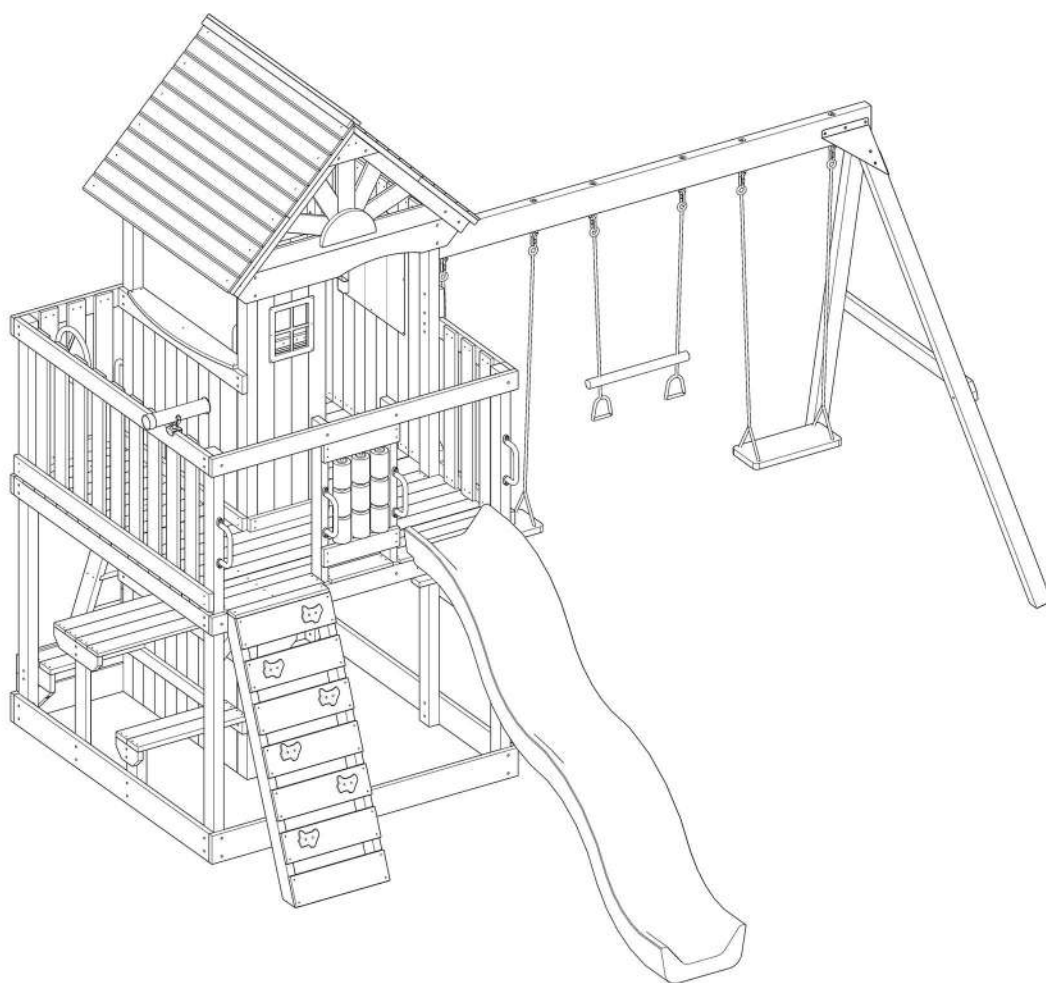
Gebrauchsanweisung | Gebruikershandleiding |

Mode D'emploi | Manual De Usuario | Istruzione Per l'uso

| Návod k Použití | Instrukcja Obsługi | Návod Na Použitie

| Használati Utasítás | Brugsanvisning | Instruktionsbok |

Bruksanvisning | Εγχειρίδιο Οδηγιών



EN - Warning:

CHOKING HAZARD, SMALL PARTS. NOT SUITABLE FOR CHILDREN UNDER 36 MONTHS.

ONLY FOR DOMESTIC USE, ONLY FOR OUTDOOR USE.

THE PRODUCT MUST BE ASSEMBLED BY ADULTS.

USE UNDER SUPERVISION

KEEP THIS MANUAL FOR FUTURE USE.

DO NOT INSTALL OVER CONCRETE, ASPHALT OR ANY OTHER HARD SURFACE.

THE PRODUCT MUST BE ANCHORED.

KEEP PLASTIC COVERS AND BAGS AWAY FROM CHILDREN TO PREVENT CHOKING AND DANGER.

POSSIBLE HAZARD DESCRIPTION IN UNASSEMBLED STATE, CONTENTS CONTAIN DANGEROUS SHARP POINTS, SO KEEP OUT OF REACH OF CHILDREN.

CAPACITY: 3 USER MAXIMUM WEIGHT: 50KGS PER CHILD

Version:2024.10



DE - Warnung:

VERSCHLUCKUNGSGEFAHR, KLEINE TEILE. NICHT GEEIGNET FÜR KINDER UNTER 36 MONATEN.

NUR FÜR DEN HAUSGEBRAUCH, NUR FÜR DIE VERWENDUNG IM FREIEN.

DAS PRODUKT MUSS VON ERWACHSENEN ZUSAMMENGEBAUT WERDEN.

BENUTZUNG UNTER AUFSICHT

BEWAHREN SIE DIESE ANLEITUNG ZUM SPÄTEREN GEBRAUCH AUF.

NICHT AUF BETON, ASPHALT ODER EINER ANDEREN HARTEN OBERFLÄCHE AUFSTELLEN.

DAS PRODUKT MUSS VERANKERT WERDEN.

HALTEN SIE KUNSTSTOFFABDECKUNGEN UND BEUTEL VON KINDERN FERN, UM ERSTICKUNGSGEFAHR ZU VERMEIDEN.

MÖGLICHE GEFAHRENBSCHREIBUNG IM UNMONTIERTEN ZUSTAND ENTHÄLT DER INHALT GEFÄHRLICHE SPITZEN, DAHER FÜR KINDER UNERREICHBAR AUFBEWAHREN.

FASSUNGSVERMÖGEN: 3 BENUTZER HÖCHSTGEWICHT: 50 KG PRO KIND

NL - Waarschuwing:

VERSTIKKINGSGEVAAR, KLEINE ONDERDELEN. NIET GESCHIKT VOOR KINDEREN JONGER DAN 36 MAANDEN.

ALLEEN VOOR HUISHOUELIJK GEBRUIK, ALLEEN VOOR GEBRUIK BUITENSHUIS.

HET PRODUCT MOET DOOR VOLWASSENEN IN ELKAAR WORDEN GEZET.

GEBRUIK ONDER TOEZICHT

BEWAAR DEZE HANDLEIDING VOOR TOEKOMSTIG GEBRUIK.

NIET INSTALLEREN OP BETON, ASFALT OF EEN ANDERE HARDE ONDERGROND.

HET PRODUCT MOET WORDEN VERANKERD.

HOUD PLASTIC DEKSELS EN ZAKKEN UIT DE BUURT VAN KINDEREN OM VERSTIKKING EN GEVAAR TE VOORKOMEN.

BESCHRIJVING VAN MOGELIJK GEVAAR IN NIET-GEMONTEERDE STAAT, INHOUD BEVAT GEVAARLIJKE SCHERPE PUNTEN, DUS BUITEN BEREIK VAN KINDEREN HOUDEN.

CAPACITEIT: 3 GEBRUIKERS MAXIMUMGEWICHT: 50 KG PER KIND

FR - Avertissement :

RISQUE D'ÉTOUFFEMENT, PETITES PIÈCES. NE CONVIENT PAS AUX ENFANTS DE MOINS DE 36 MOIS.

POUR USAGE DOMESTIQUE UNIQUEMENT, UTILISATION À L'EXTÉRIEUR UNIQUEMENT.

LE PRODUIT DOIT ÊTRE ASSEMBLÉ PAR DES ADULTES.

UTILISATION SOUS SURVEILLANCE

CONSERVER CE MANUEL POUR UNE UTILISATION ULTÉRIEURE.

NE PAS INSTALLER SUR DU BÉTON, DE L'ASPHALTE OU TOUTE AUTRE SURFACE DURE.

LE PRODUIT DOIT ÊTRE ANCRÉ.

GARDER LES COUVERCLES ET LES SACS EN PLASTIQUE HORS DE PORTÉE DES ENFANTS POUR ÉVITER TOUT RISQUE D'ÉTOUFFEMENT ET DE DANGER.

DESCRIPTION DU DANGER POSSIBLE EN L'ÉTAT NON ASSEMBLÉ, LE CONTENU CONTIENT DES POINTES DANGEREUSES ET TRANCHANTES, IL FAUT DONC LE TENIR HORS DE LA PORTÉE DES ENFANTS.

CAPACITÉ : 3 UTILISATEURS POIDS MAXIMUM : 50 KG PAR ENFANT

ES - Advertencia:

PELIGRO DE ASFIXIA, PIEZAS PEQUEÑAS. NO APTO PARA NIÑOS MENORES DE 36 MESES.

SÓLO PARA USO DOMÉSTICO Y EN EXTERIORES.

EL PRODUCTO DEBE SER MONTADO POR ADULTOS.

USO SUPERVISADO

CONSERVE ESTE MANUAL PARA USO FUTURO.

NO LO INSTALE SOBRE HORMIGÓN, ASFALTO O CUALQUIER OTRA SUPERFICIE DURA.

EL PRODUCTO DEBE ESTAR ANCLADO.

MANTENGA LAS FUNDAS Y BOLSAS DE PLÁSTICO FUERA DEL ALCANCE DE LOS NIÑOS PARA EVITAR QUE SE ATRAGANTEN Y SE PONGAN EN PELIGRO.

DESCRIPCIÓN DEL POSIBLE PELIGRO EN ESTADO DESMONTADO, EL CONTENIDO CONTIENE PUNTAS AFILADAS PELIGROSAS, POR LO QUE DEBE MANTENERSE FUERA DEL ALCANCE DE LOS NIÑOS.

CAPACIDAD: 3 USUARIOS PESO MÁXIMO: 50 KG POR NIÑO

IT - Attenzione:

RISCHIO DI SOFFOCAMENTO, PARTI PICCOLE. NON ADATTO A BAMBINI DI ETÀ INFERIORE A 36 MESI.

SOLO PER USO DOMESTICO, SOLO PER USO ESTERNO.

IL PRODOTTO DEVE ESSERE ASSEMBLATO DA ADULTI.

USO SUPERVISIONATO

CONSERVARE QUESTO MANUALE PER UN USO FUTURO.

NON INSTALLARE SU CEMENTO, ASFALTO O ALTRE SUPERFICI DURE.

IL PRODOTTO DEVE ESSERE ANCORATO.

TENERE LE COPERTURE E I SACCHETTI DI PLASTICA LONTANO DALLA PORTATA DEI BAMBINI PER EVITARE IL RISCHIO DI SOFFOCAMENTO.

DESCRIZIONE DI POSSIBILI PERICOLI ALLO STATO SMONTATO, IL CONTENUTO CONTIENE PERICOLOSE PUNTE TAGLIANTI, QUINDI TENERE FUORI DALLA PORTATA DEI BAMBINI.

CAPACITÀ: 3 UTENTI PESO MASSIMO: 50 KG PER BAMBINO

CS - Varování:

NEBEZPEČÍ UDUŠENÍ, MALÉ ČÁSTI. NEVHODNÉ PRO DĚTI MLADŠÍ 36 MĚSÍCŮ.

POUZE PRO DOMÁCÍ POUŽITÍ, POUZE PRO VENKOVNÍ POUŽITÍ.

VÝROBEK MUSÍ BÝT SESTAVEN DOSPĚLÝMI OSOBAMI.

POUŽITÍ POD DOZOREM

TENTO NÁVOD SI USCHOVEJTE PRO BUDOUCÍ POUŽITÍ.

NEINSTALUJTE NA BETON, ASFALT NEBO JINÝ TVRDÝ POVRCH.

VÝROBEK MUSÍ BÝT UKOTVEN.

PLASTOVÉ KRYTÝ A SÁČKY UCHOVÁVEJTE MIMO DOSAH DĚTÍ, ABYSTE ZABRÁNILI UDUŠENÍ A NEBEZPEČÍ.

POPIS MOŽNÉHO NEBEZPEČÍ V NESMONTOVANÉM STAVU, OBSAH OBSAHUJE NEBEZPEČNÉ OSTRÉ HROTY, PROTO JEJ UCHOVÁVEJTE MIMO DOSAH DĚTÍ.

KAPACITA: 3 UŽIVATELÉ MAXIMÁLNÍ HMOTNOST: 50 KG NA DÍTĚ

PL - Ostrzeżenie:

RYZYKO ZADŁAWIENIA, MAŁE CZĘŚCI. NIEODPOWIEDNIE DLA DZIECI W WIEKU PONIŻEJ 36 MIESIĘCY.
WYŁĄCZNIE DO UŻYTKU DOMOWEGO, WYŁĄCZNIE NA ZEWNĄTRZ.
PRODUKT MUSI BYĆ MONTOWANY PRZEZ OSOBY DOROSŁE.

UŻYTKOWANIE POD NADZOREM

ZACHOWAĆ NINIEJSZĄ INSTRUKCJĘ DO WYKORZYSTANIA W PRZYSZŁOŚCI.

NIE INSTALOWAĆ NA BETONIE, ASFALCIE ANI ŻADNEJ INNEJ TWARDEJ POWIERZCHNI.

PRODUKT MUSI BYĆ ZAKOTWICZONY.

PLASTIKOWE OSŁONY I TORBY NALEŻY TRZYMAĆ Z DALA OD DZIECI, ABY ZAPOBIEC ZADŁAWIENIU I NIEBEZPIECZEŃSTWU.

OPIS MOŻLIWEGO ZAGROŻENIA W STANIE NIEZMONTOWANYM, ZAWARTOŚĆ ZAWIERA NIEBEZPIECZNE OSTRE ELEMENTY, DLATEGO NALEŻY PRZECHOWYWAĆ JĄ POZA ZASIĘGIEM DZIECI.

POJEMNOŚĆ: 3 UŻYTKOWNIKÓW MAKSYMALNA WAGA: 50 KG NA DZIECKO

SK - Varovanie:

NEBEZPEČENSTVO UDUSENIA, MALÉ ČASTI. NEVHODNÉ PRE DETI MLADŠIE AKO 36 MESIACOV.

LEN NA DOMÁCE POUŽITIE, LEN NA VONKAJŠIE POUŽITIE.

VÝROBOK MUSIA MONTOVAŤ DOSPELÍ.

POUŽÍVANIE POD DOZOROM

TENTO NÁVOD SI USCHOVAJTE PRE BUDÚCE POUŽITIE.

NEINŠTALUJTE NA BETÓN, ASFALT ALEBO AKÝKOL'VEK INÝ TVRDÝ POVRCH.

VÝROBOK MUSÍ BYŤ UKOTVENÝ.

PLASTOVÉ KRYTY A VRECKÁ UCHOVÁVAJTE MIMO DOSAHU DETÍ, ABY STE ZABRÁNILI ZADUSENIU A NEBEZPEČENSTVU.

POPIS MOŽNÉHO NEBEZPEČENSTVA V NEZMONTOVANOM STAVE, OBSAH OBSAHUJE NEBEZPEČNÉ OSTRE HROTY, PRETO HO UCHOVÁVAJTE MIMO DOSAHU DETÍ.

KAPACITA: 3 POUŽÍVATELIA MAXIMÁLNA HMOTNOSŤ: 50 KG NA DIEŤA

HU - Figyelmeztetés:

APRÓ ALKATRÉSZEK. NEM ALKALMAS 36 HÓNAPOSNÁL FIATALABB GYERMEKEK SZÁMÁRA.

CSAK HÁZTARTÁSI HASZNÁLATRA, CSAK KÜLTÉRI HASZNÁLATRA.

A TERMÉKET FELNŐTTEKNEK KELL ÖSSZESZERELNIÜK.

FELÜGYELT HASZNÁLAT

ŐRIZZE MEG EZT A HASZNÁLATI ÚTMUTATÓT A KÉSŐBBI HASZNÁLATRA.

NE TELEPÍTSE BETONRA, ASZFALTRA VAGY MÁS KEMÉNY FELÜLETRE.

A TERMÉKET LE KELL HORGONYOZNI.

A MŰANYAG BORÍTÁSOKAT ÉS ZACSKÓKAT TARTSA TÁVOL A GYERMEKEKTŐL A FULLADÁS ÉS A VESZÉLY MEGELŐZÉSE ÉRDEKÉBEN.

LEHETSÉGES VESZÉLY LEÍRÁSA ÖSSZESZERELETLEN ÁLLAPOTBAN, A TARTALOM VESZÉLYES ÉLES HEGYEKET TARTALMAZ, EZÉRT GYERMEKEK SZÁMÁRA ELÉRHETETLEN HELYEN KELL TARTANI.

KAPACITÁS: 3 FELHASZNÁLÓ MAXIMÁLIS SÚLYA: 50 KG GYERMEKENKÉNT

DK - Advarsel:

KVÆLNINGSFARE, SMÅ DELE. IKKE EGNET TIL BØRN UNDER 36 MÅNEDER.

KUN TIL PRIVAT BRUG, KUN TIL UDENDØRS BRUG.

PRODUKTET SKAL SAMLES AF VOKSNE.

OVERVÅGET BRUG

GEM DENNE MANUAL TIL FREMTIDIG BRUG.

MÅ IKKE INSTALLERES PÅ BETON, ASFALT ELLER ANDRE HÅRDE OVERFLADER.

PRODUKTET SKAL FORANKRES.

HOLD PLASTIKDÆKSLER OG POSER VÆK FRA BØRN FOR AT FORHINDRE KVÆLNING OG FARE.

BESKRIVELSE AF MULIG FARE I USAMLET TILSTAND, INDHOLDET INDEHOLDER FARLIGE SKARPE PUNKTER, SÅ HOLD DET UDEN FOR BØRNS RÆKKEVIDDE.

KAPACITET: 3 BRUGERE MAKS. VÆGT: 50 KG PR. BARN

SV - Varning:

KVÄVNINGSRISK, SMÅ DELAR. EJ LÄMPLIG FÖR BARN UNDER 36 MÅNADER.

ENDAST FÖR HUSHÅLLSBRUK, ENDAST FÖR UTOMHUSBRUK.

PRODUKTEN MÅSTE MONTERAS AV VUXNA.

ÖVERVAKAD ANVÄNDNING

SPARA DENNA MANUAL FÖR FRAMTIDA BRUK.

INSTALLERA INTE PÅ BETONG, ASFALT ELLER NÅGON ANNAN HÅRD YTA.

PRODUKTEN MÅSTE FÖRANKRAS.

HÅLL PLASTHÖLJEN OCH PÅSAR BORTA FRÅN BARN FÖR ATT FÖRHINDRA KVÄVNING OCH FARA.

BESKRIVNING AV MÖJLIG FARA I OMONTERAT SKICK, INNEHÅLLET INNEHÅLLER FARLIGA VASSA PUNKTER, SÅ HÅLL UTOM RÄCKHÅLL FÖR BARN.

KAPACITET: 3 ANVÄNDARE MAXVIKT: 50 KG PER BARN

NO - Advarsel:

KVELNINGSFARE, SMÅ DELER. IKKE EGNET FOR BARN UNDER 36 MÅNEDER.

KUN TIL HJEMMEBRUK, KUN TIL UTENDØRS BRUK.

PRODUKTET MÅ MONTERES AV VOKSNE.

BRUK UNDER OPPSYN

TA VARE PÅ DENNE BRUKSANVISNINGEN FOR FREMTIDIG BRUK.

MÅ IKKE INSTALLERES PÅ BETONG, ASFALT ELLER ANNET HARDT UNDERLAG.

PRODUKTET MÅ FORANKRES.

HOLD PLASTDEKSLER OG POSER BORTE FRA BARN FOR Å UNNGÅ KVELNINGSFARE.

BESKRIVELSE AV MULIG FARE I UMONTERET TILSTAND, INNHOLDET INNEHOLDER FARLIGE SKARPE PUNKTER, SÅ OPPBEVARES UTILGJENGELIG FOR BARN.

KAPASITET: 3 BRUKERE MAKSIMAL VEKT: 50 KG PER BARN

EL - Προειδοποίηση:

ΠΡΟΕΙΔΟΠΟΙΗΣΗ: ΚΙΝΔΥΝΟΣ ΠΝΙΓΜΟΥ, ΜΙΚΡΑ ΜΕΡΗ. ΑΚΑΤΑΛΛΗΛΟ ΓΙΑ ΠΑΙΔΙΑ ΚΑΤΩ ΤΩΝ 36 ΜΗΝΩΝ.

ΜΟΝΟ ΓΙΑ ΟΙΚΙΑΚΗ ΧΡΗΣΗ, ΜΟΝΟ ΓΙΑ ΕΞΩΤΕΡΙΚΗ ΧΡΗΣΗ.

ΤΟ ΠΡΟΪΟΝ ΠΡΕΠΕΙ ΝΑ ΣΥΝΑΡΜΟΛΟΓΕΙΤΑΙ ΑΠΟ ΕΝΗΛΙΚΕΣ.

ΕΠΟΠΤΕΥΟΜΕΝΗ ΧΡΗΣΗ

ΦΥΛΑΞΤΕ ΑΥΤΟ ΤΟ ΕΓΧΕΙΡΙΔΙΟ ΓΙΑ ΜΕΛΛΟΝΤΙΚΗ ΧΡΗΣΗ.

ΜΗΝ ΤΟ ΕΓΚΑΘΙΣΤΑΤΕ ΣΕ ΣΚΥΡΟΔΕΜΑ, ΑΣΦΑΛΤΟ Ή ΟΠΟΙΑΔΗΠΟΤΕ ΆΛΛΗ ΣΚΛΗΡΗ ΕΠΙΦΑΝΕΙΑ.

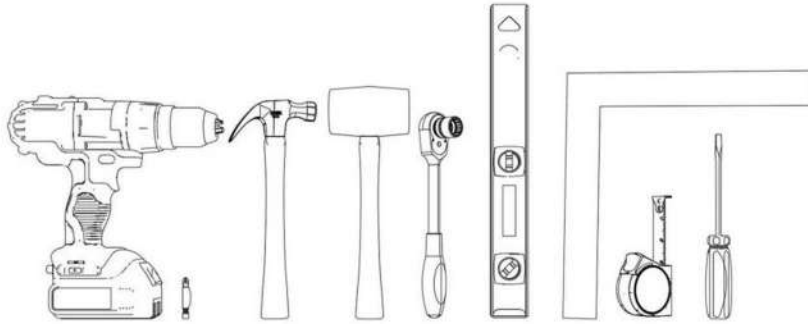
ΤΟ ΠΡΟΪΟΝ ΠΡΕΠΕΙ ΝΑ ΑΓΚΥΡΩΝΕΤΑΙ.

ΚΡΑΤΗΣΤΕ ΤΑ ΠΛΑΣΤΙΚΑ ΚΑΛΥΜΜΑΤΑ ΚΑΙ ΤΙΣ ΣΑΚΟΥΛΕΣ ΜΑΚΡΙΑ ΑΠΟ ΤΑ ΠΑΙΔΙΑ ΓΙΑ ΝΑ ΑΠΟΦΥΓΕΤΕ ΤΟΝ ΠΝΙΓΜΟ ΚΑΙ ΤΟΝ ΚΙΝΔΥΝΟ.

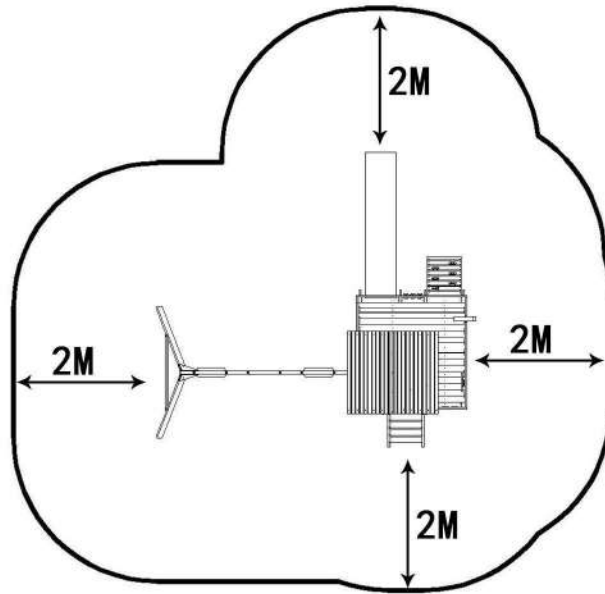
ΠΕΡΙΓΡΑΦΗ ΠΙΘΑΝΟΥ ΚΙΝΔΥΝΟΥ ΣΕ ΜΗ ΣΥΝΑΡΜΟΛΟΓΗΜΕΝΗ ΚΑΤΑΣΤΑΣΗ, ΤΑ ΠΕΡΙΕΧΟΜΕΝΑ ΠΕΡΙΕΧΟΥΝ ΕΠΙΚΙΝΔΥΝΑ ΑΙΧΜΗΡΑ ΣΗΜΕΙΑ, ΓΙ' ΑΥΤΟ ΚΡΑΤΗΣΤΕ ΤΑ ΜΑΚΡΙΑ ΑΠΟ ΠΑΙΔΙΑ.

ΧΩΡΗΤΙΚΟΤΗΤΑ: 3 ΧΡΗΣΤΕΣ ΜΕΓΙΣΤΟ ΒΑΡΟΣ: 50 KG ΑΝΆ ΠΑΙΔΙ

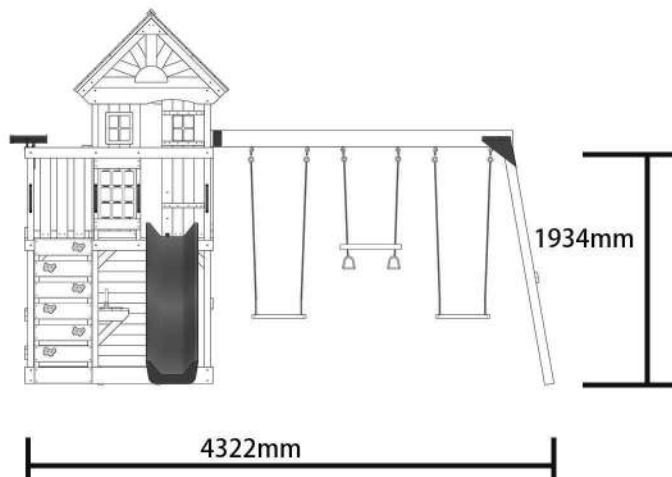
TOOLS



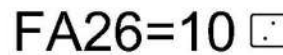
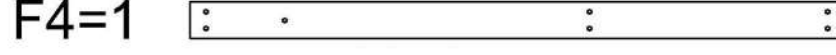
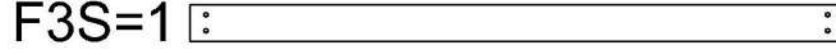
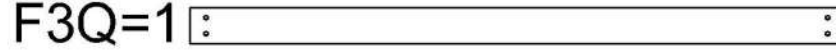
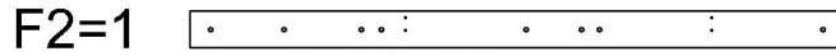
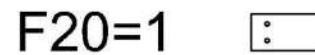
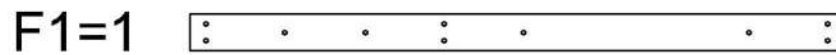
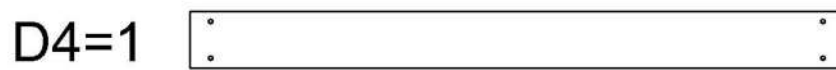
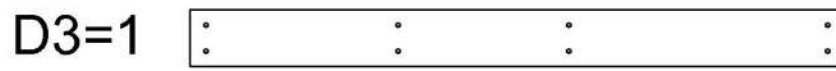
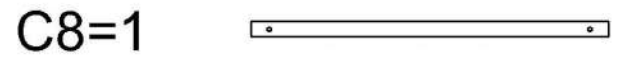
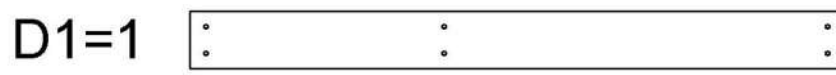
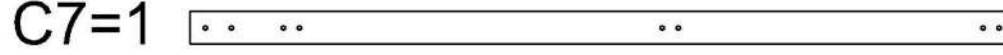
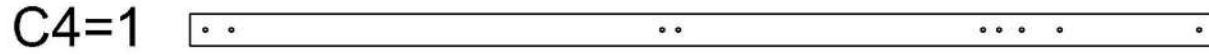
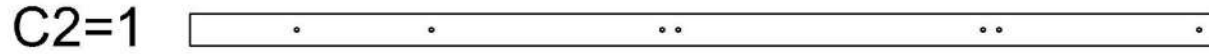
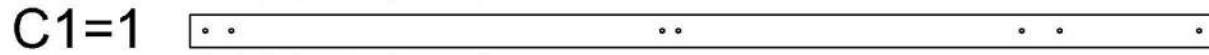
SAFETY ZONE SPACE



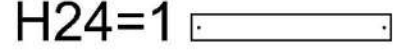
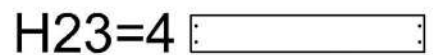
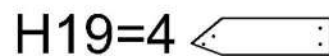
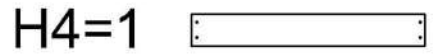
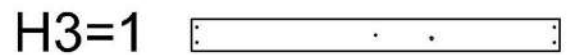
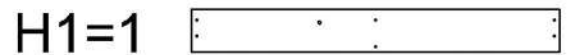
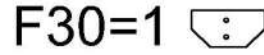
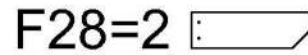
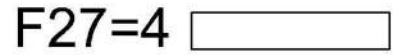
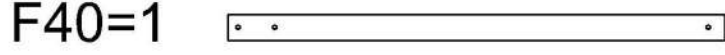
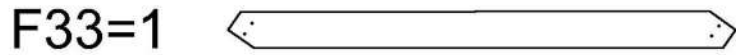
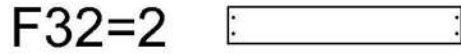
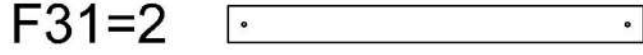
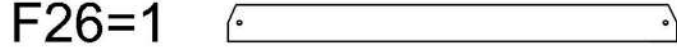
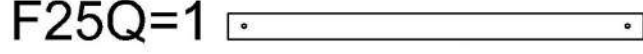
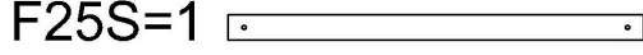
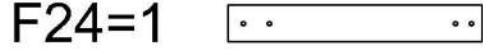
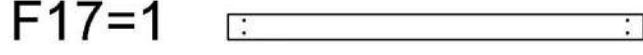
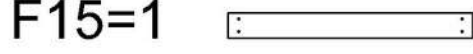
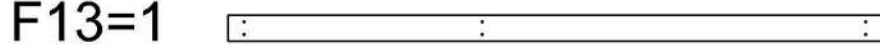
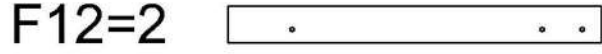
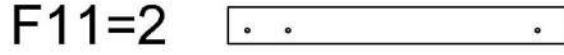
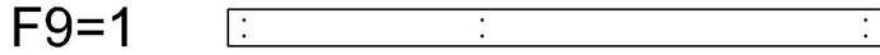
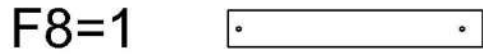
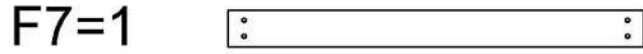
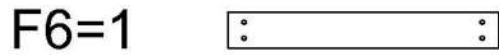
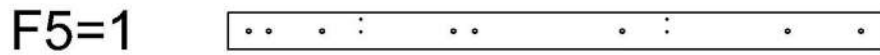
VERTICAL HEIGHT



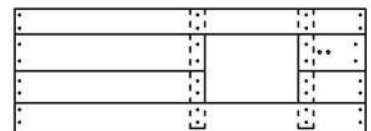
Board List










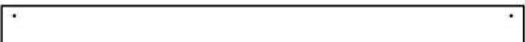






Board List

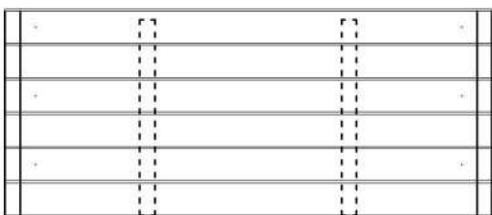


TA1

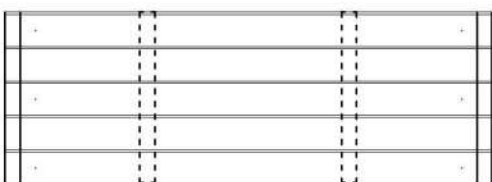


Board List

H5=12		H9=23	
H6=1		H10=1	
H7=1		H14=8	
H8=1		H39=1	
K1=2		H40=1	
K2=2		H35=1	
H11=1		H36=9	
H12=8		H45=1	
K22=1		H46=1	
K23=1		K30=9	
H15=1		T1=2	
H21=2		T3=2	
H37=2			

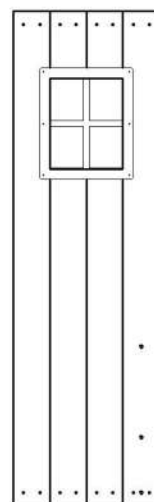


FP1 X2

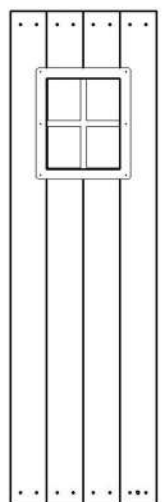


FP2 X2


WP1=1




WP2=1




Parts list

W8/15 

Washer X12

W10/18 

Washer X121

W12/28 

Washer X6

BM615 

B-NUT x18

AN8 

A-NUT8 X6

N815 

NUT x131

M615 

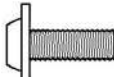
Bolt x2

M633 

Bolt x2

M625 


Bolt x14

M821 

Bolt x4

M833 


Bolt x4

M845 

Bolt x24

M855 

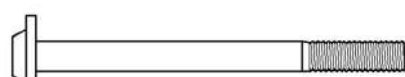
Bolt x13

M865 

Bolt x2

M869 

Bolt x56

M896 

Bolt x33

BM818 

B-NUT x11

S321 

Screw x8

S328 

Screw x9

SW16 

Screw x10

SW35 

Screw x512

SW40 

Screw x8

SW50 

Screw x99

SW60 

Screw x8

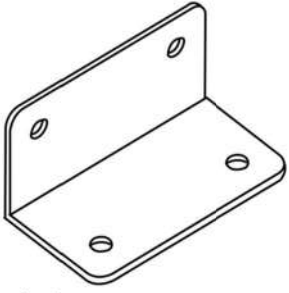
M6SW35 

Screw x28

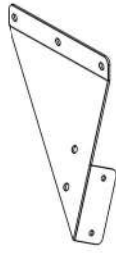
M6SW55 

Screw x10

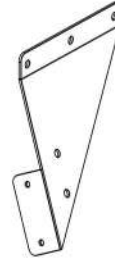
Parts list



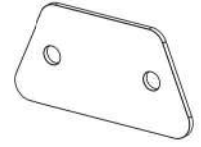
(2) 501103



(1) 501122



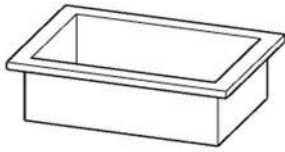
(1) 501123



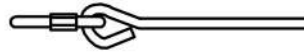
(1) 501124



(2) 501125



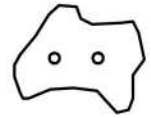
(1) 139007



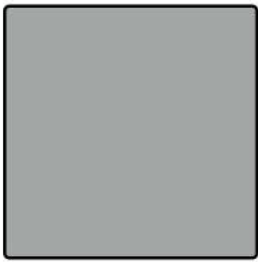
(6) A650007



(7) 139070



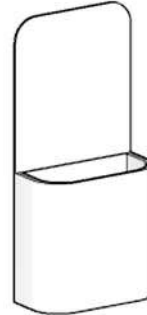
(6) 156004P



(1) 139001



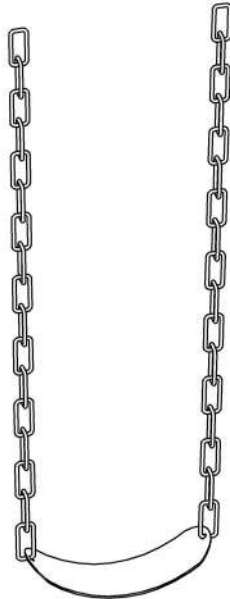
(1) 139008



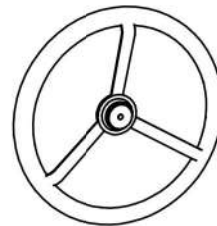
(1) FBH-1



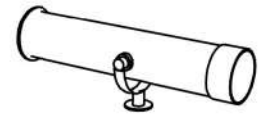
(1) 156090P



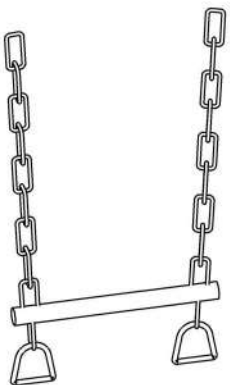
(2) S04-201



(1) P04-102



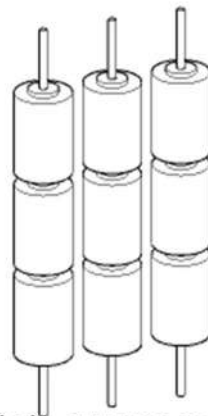
(1) P04-202



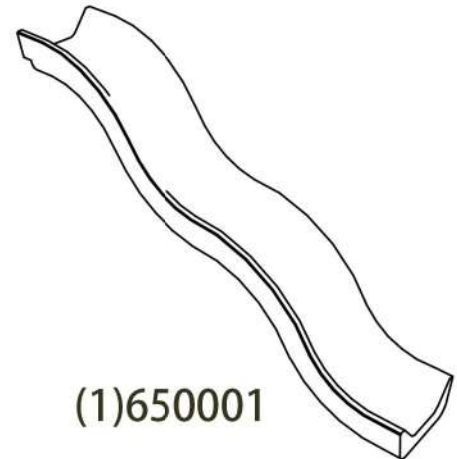
(1) S04-214



(6) 156003P

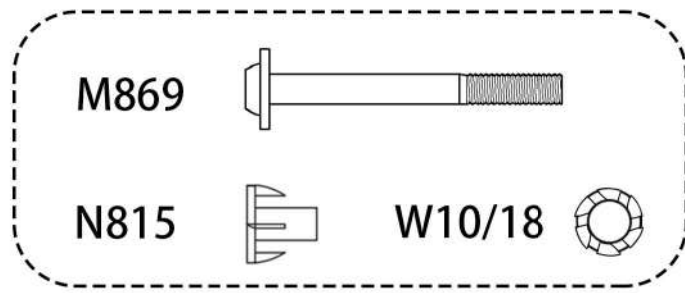
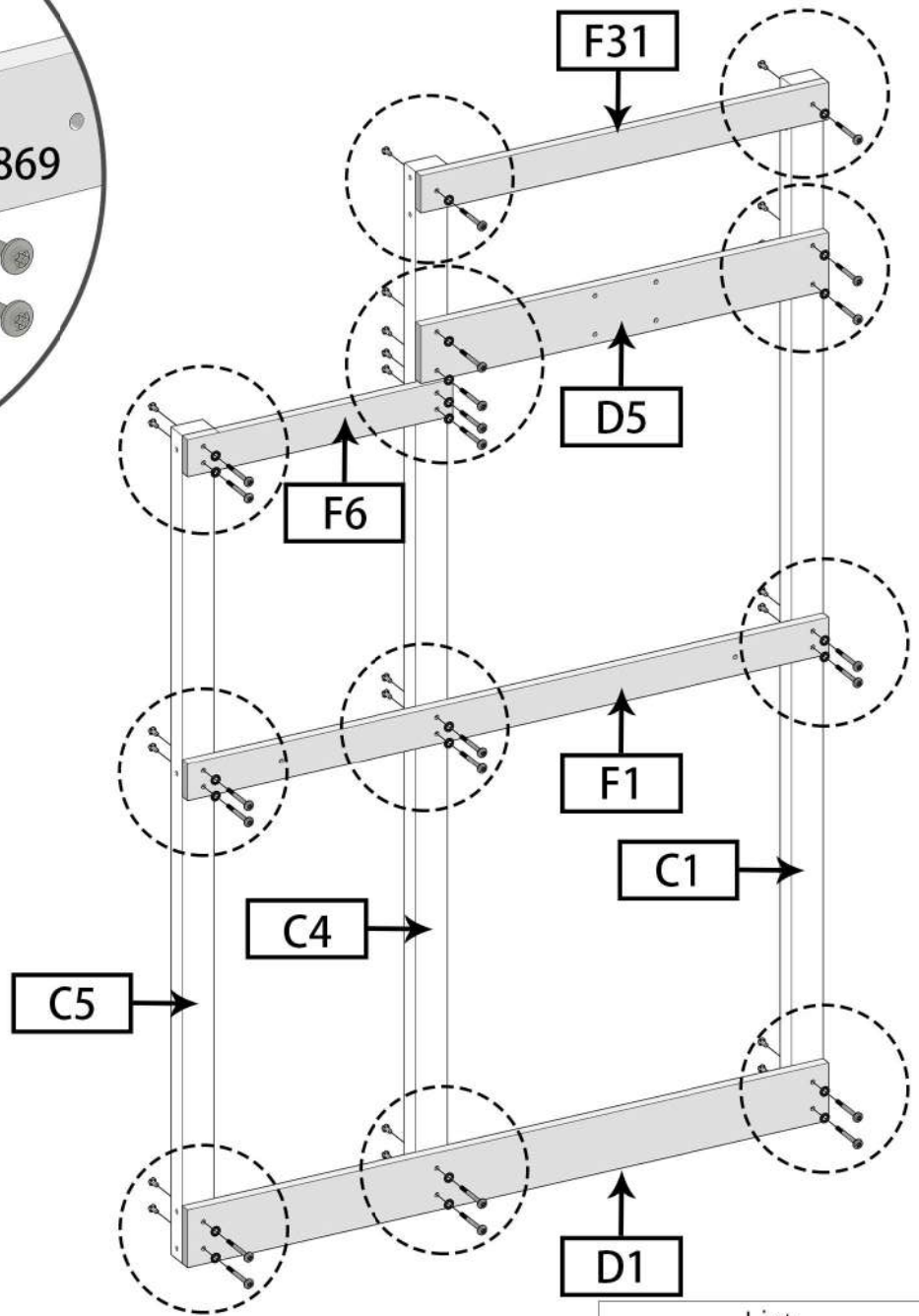
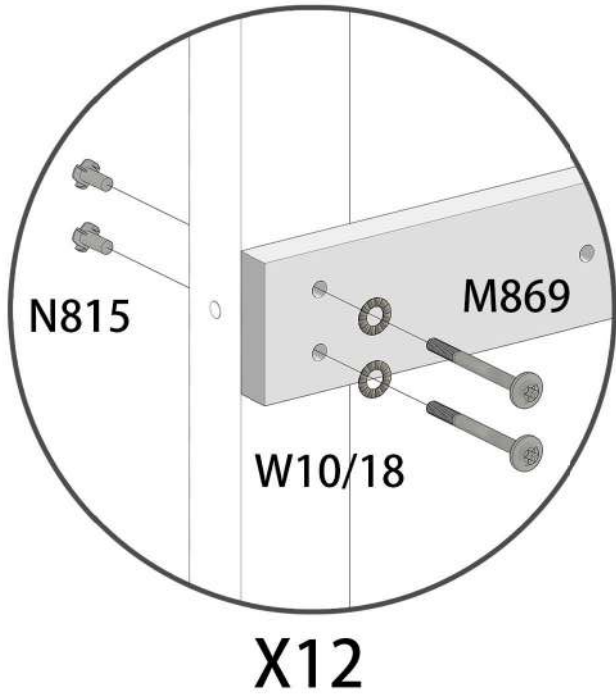


(1) H650021



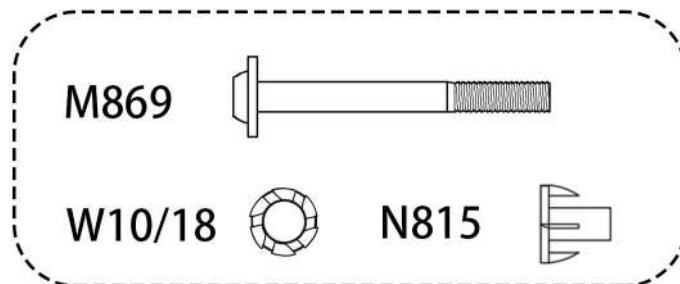
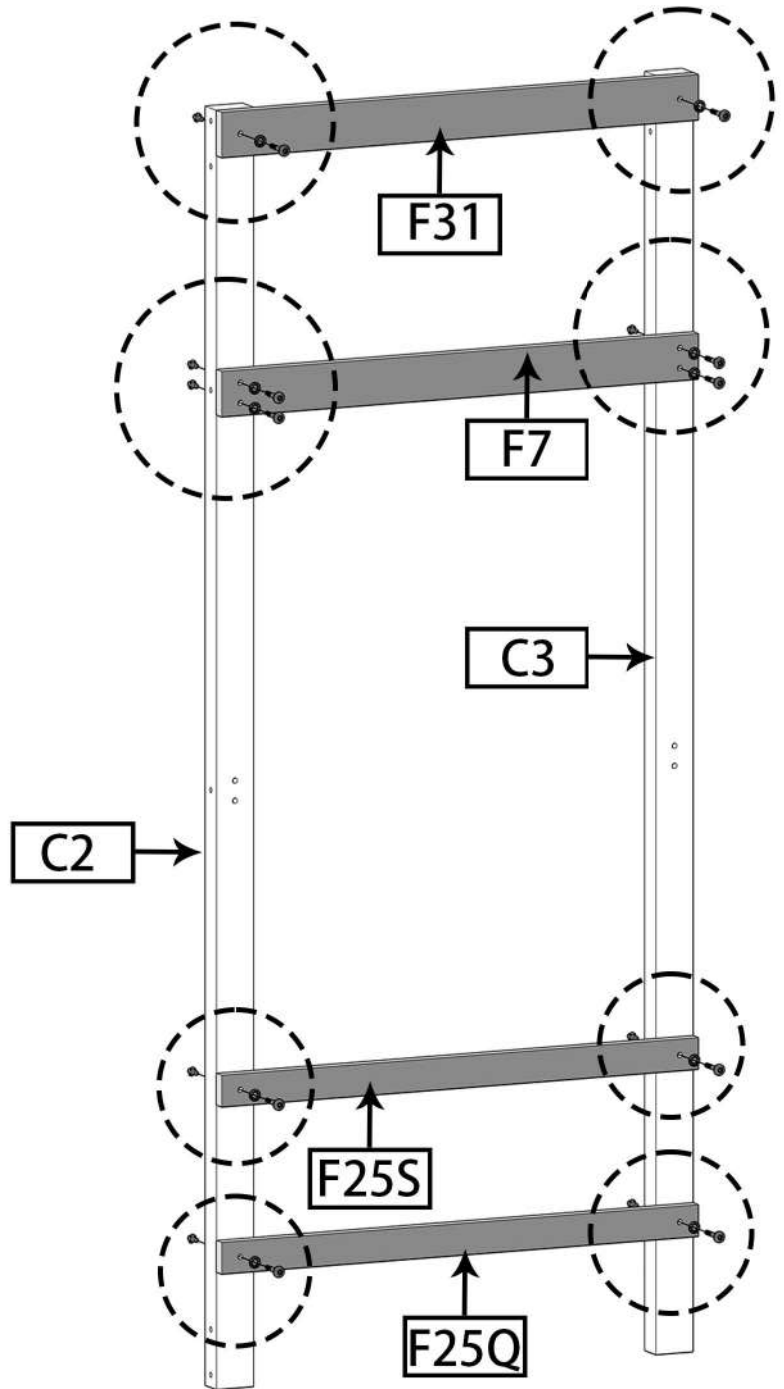
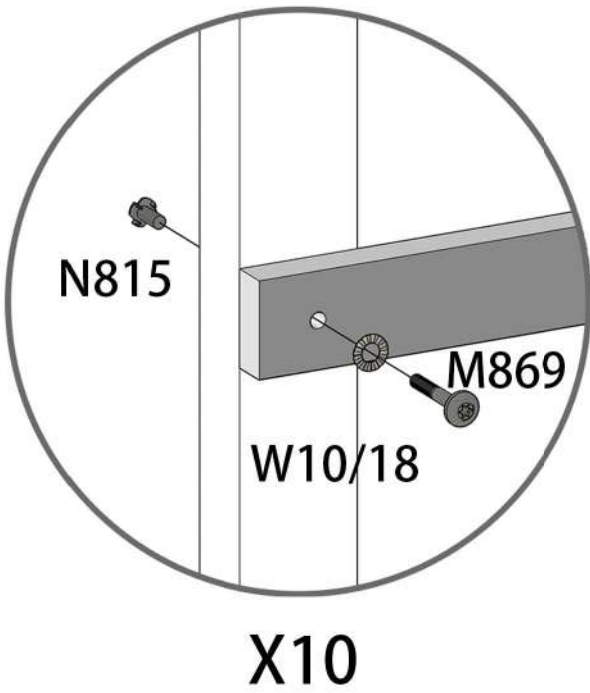
(1) 650001

Step 1



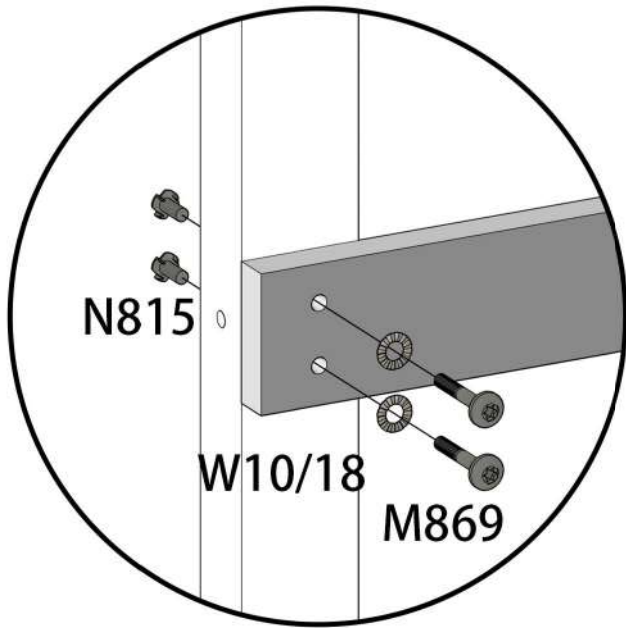
List	
Part NO.	Qty
C1	1
C4	1
C5	1
D1	1
D5	1
F1	1
F6	1
F31	1
M869	22
W10/18	22
N815	22

Step2

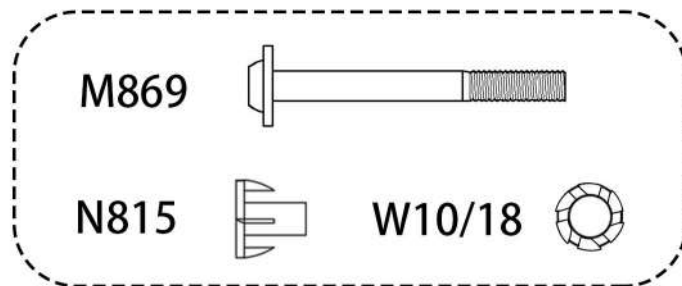
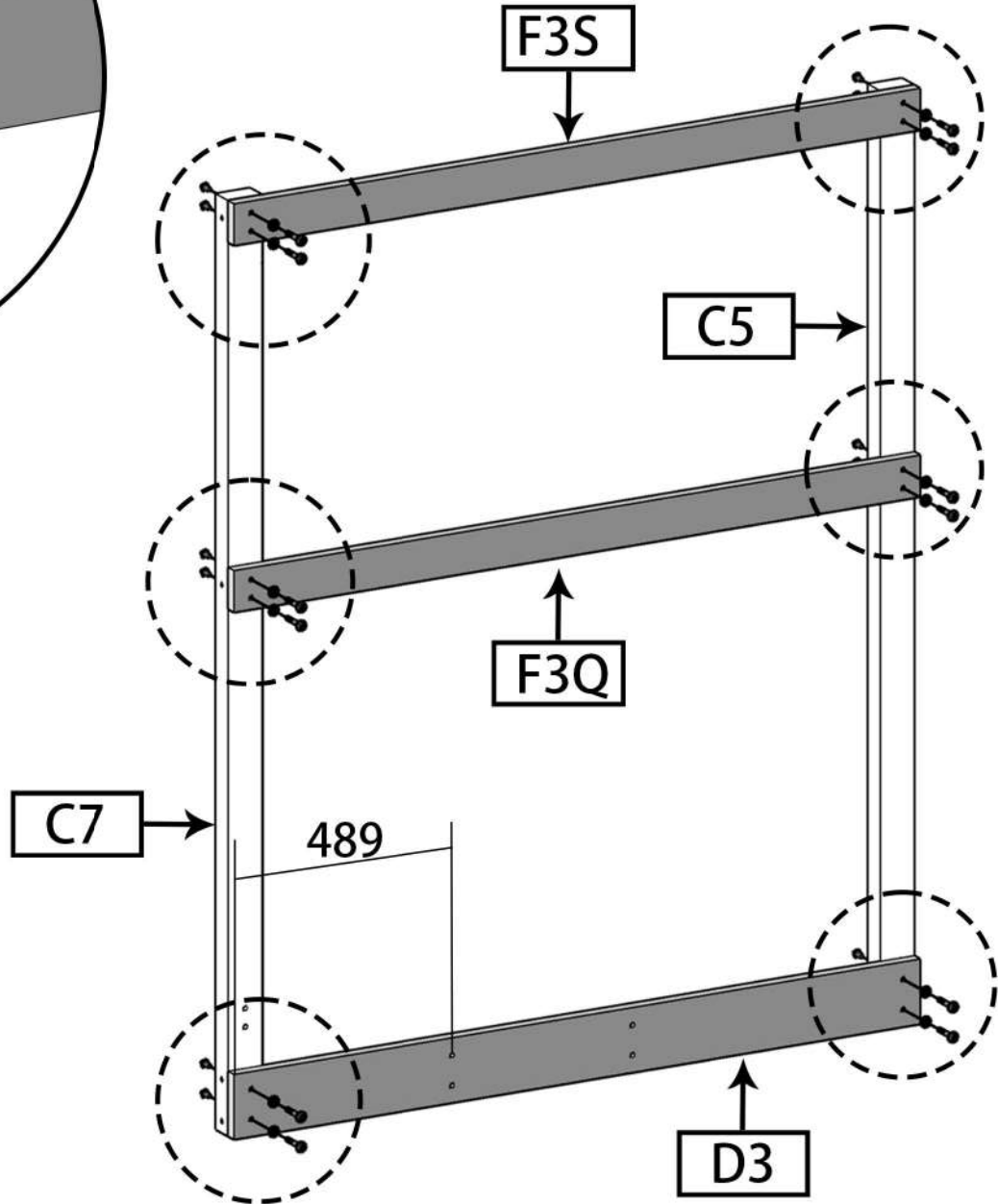


List	
Part NO.	Qty
C2	1
C3	1
F25S	1
F25Q	1
F31	1
F7	1
M869	10
W10/18	10
N815	10

Step3

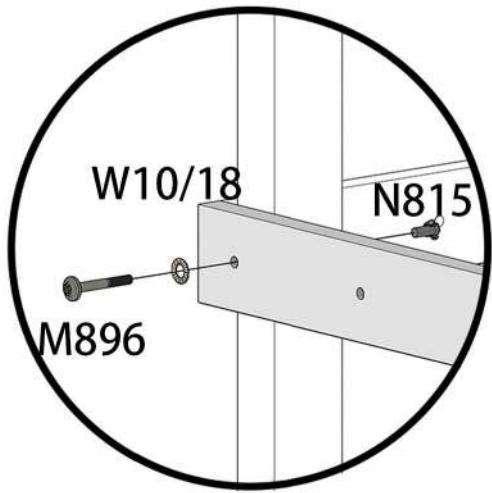


X6

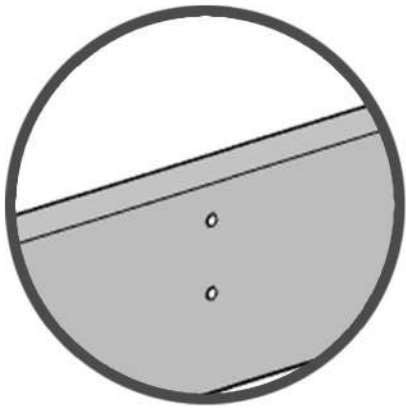


List	
Part NO.	Qty
C5	1
C7	1
D3	1
F3Q	1
F3S	1
M869	12
W10/18	12
N815	12

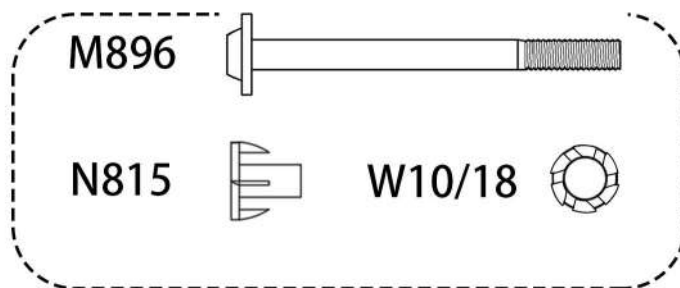
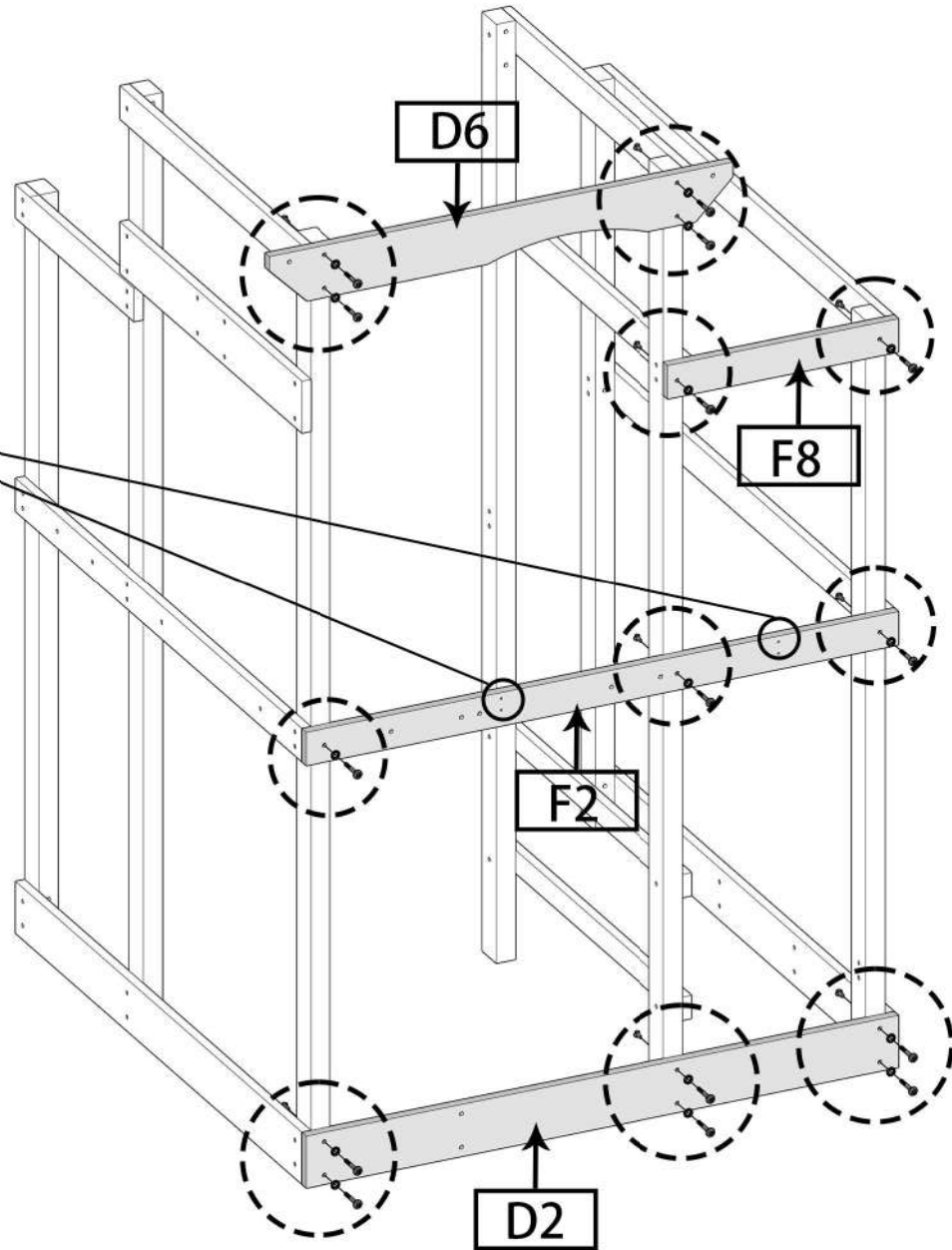
Step4



X15

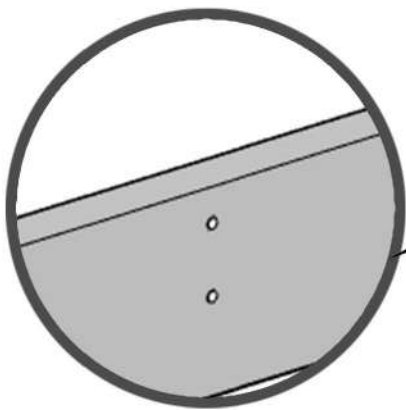
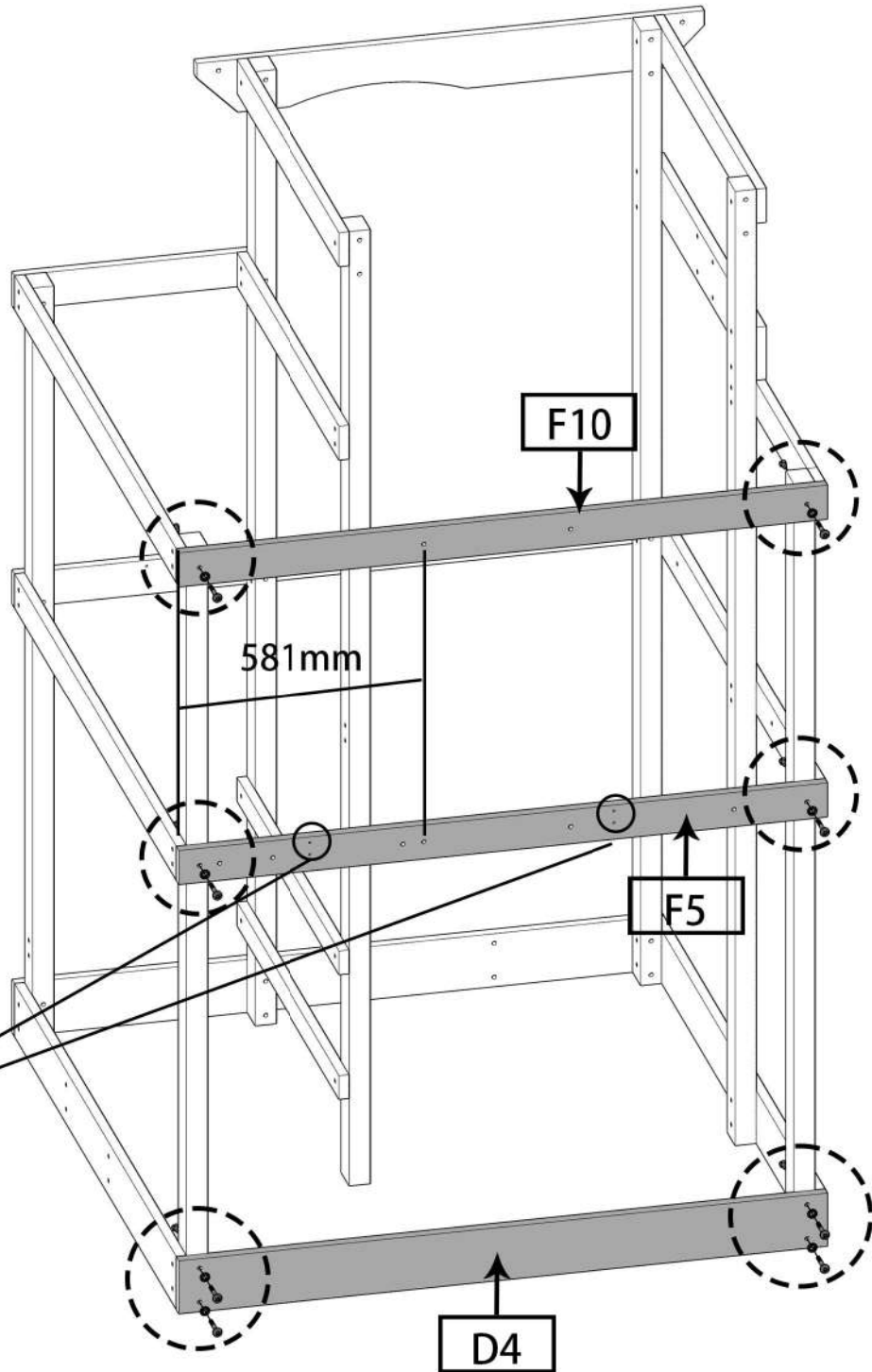
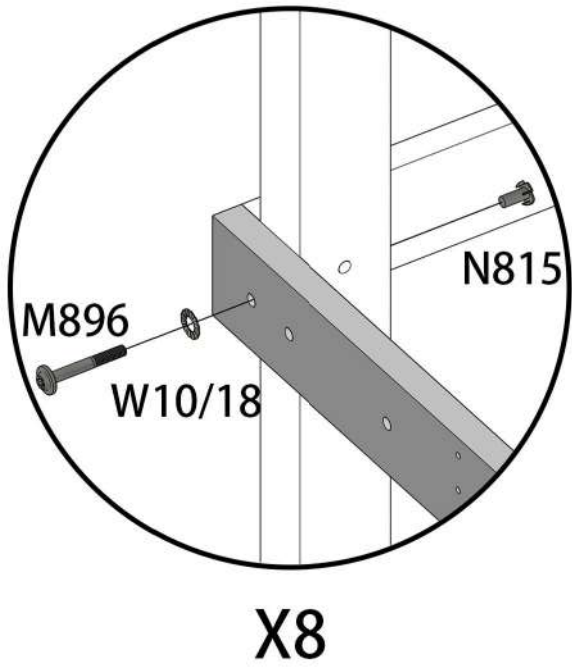


Note the orientatio
of the pilot holes

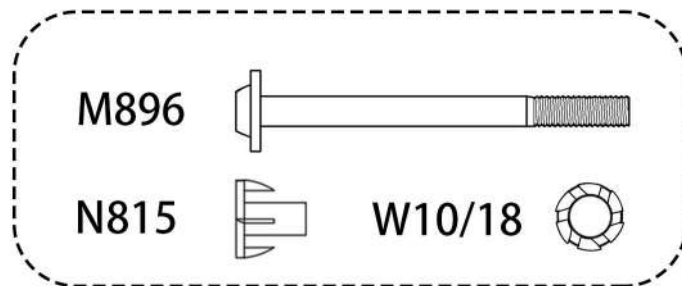


List	
Part NO.	Qty
D2	1
D6	1
F2	1
F8	1
M896	15
W10/18	15
N815	15

Step 5

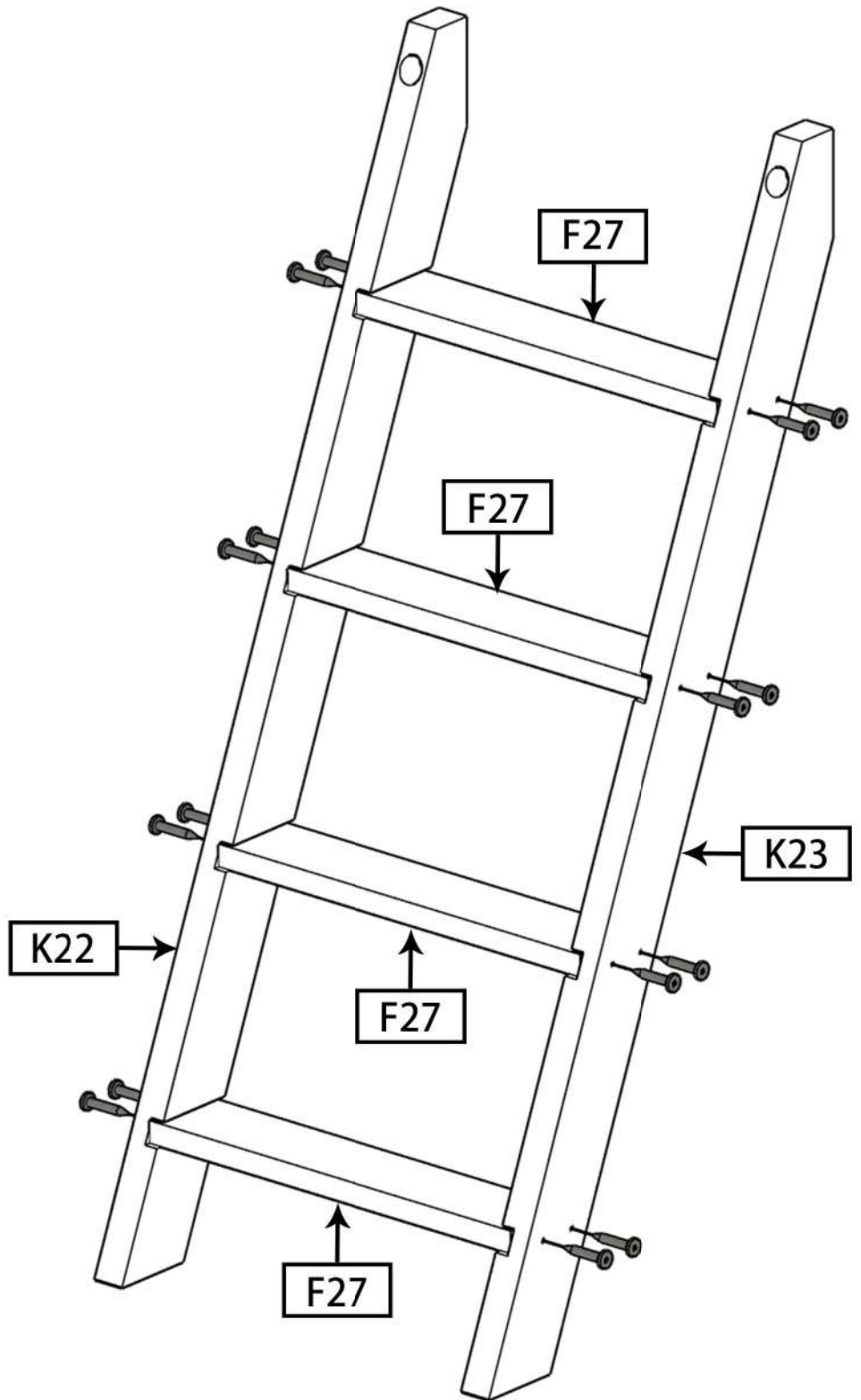


Note the orientation of the pilot holes



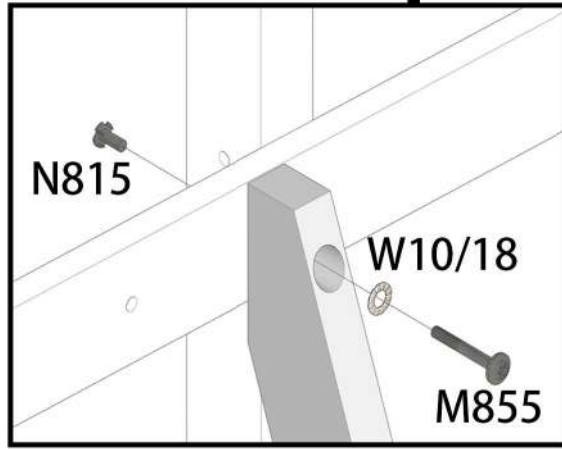
List	
Part NO.	Qty
D4	1
F5	1
F10	1
M896	8
W10/18	8
N815	8

Step6

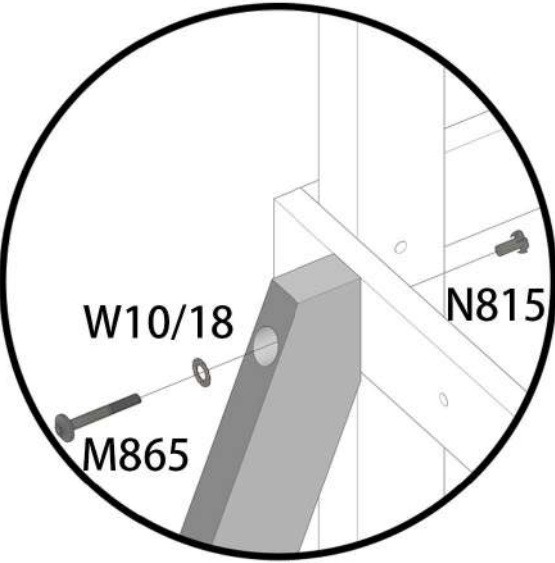


List	
Part NO.	Qty
F27	4
K22	1
K23	1
SW50	16

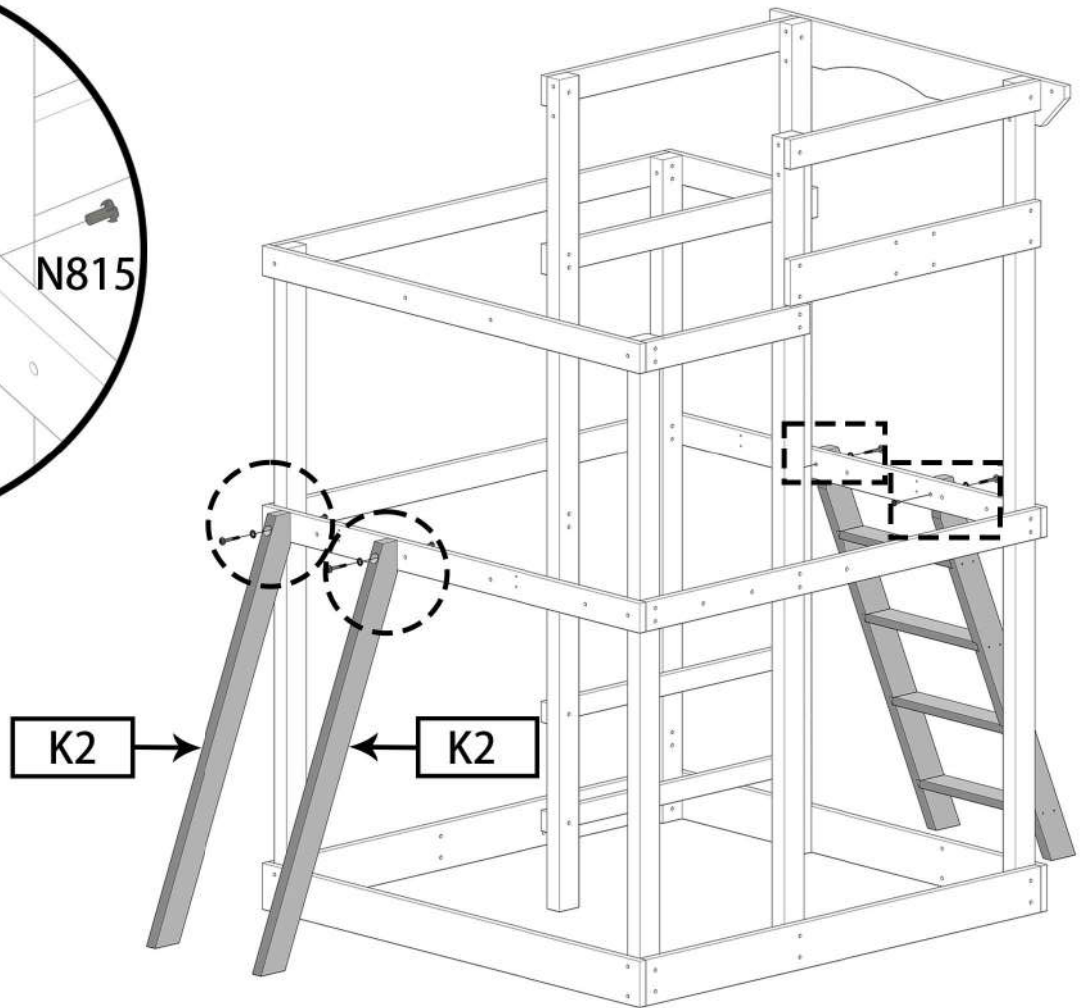
Step 7



X2

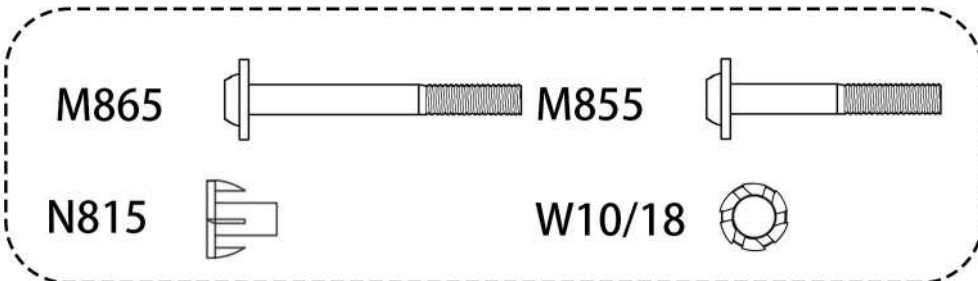


X2



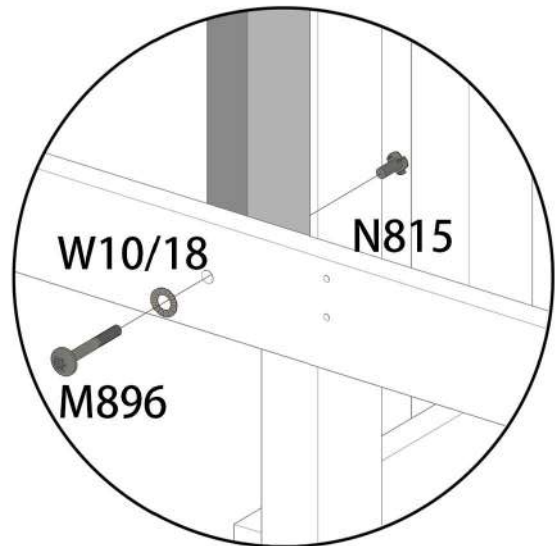
K2

K2

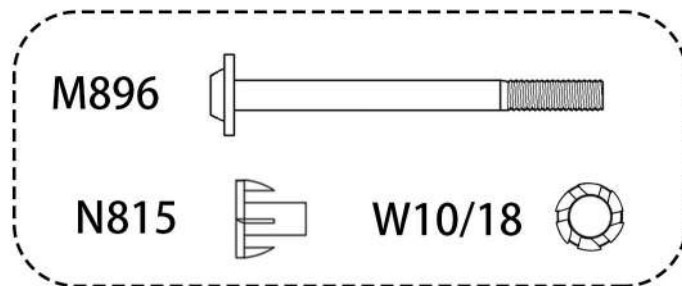
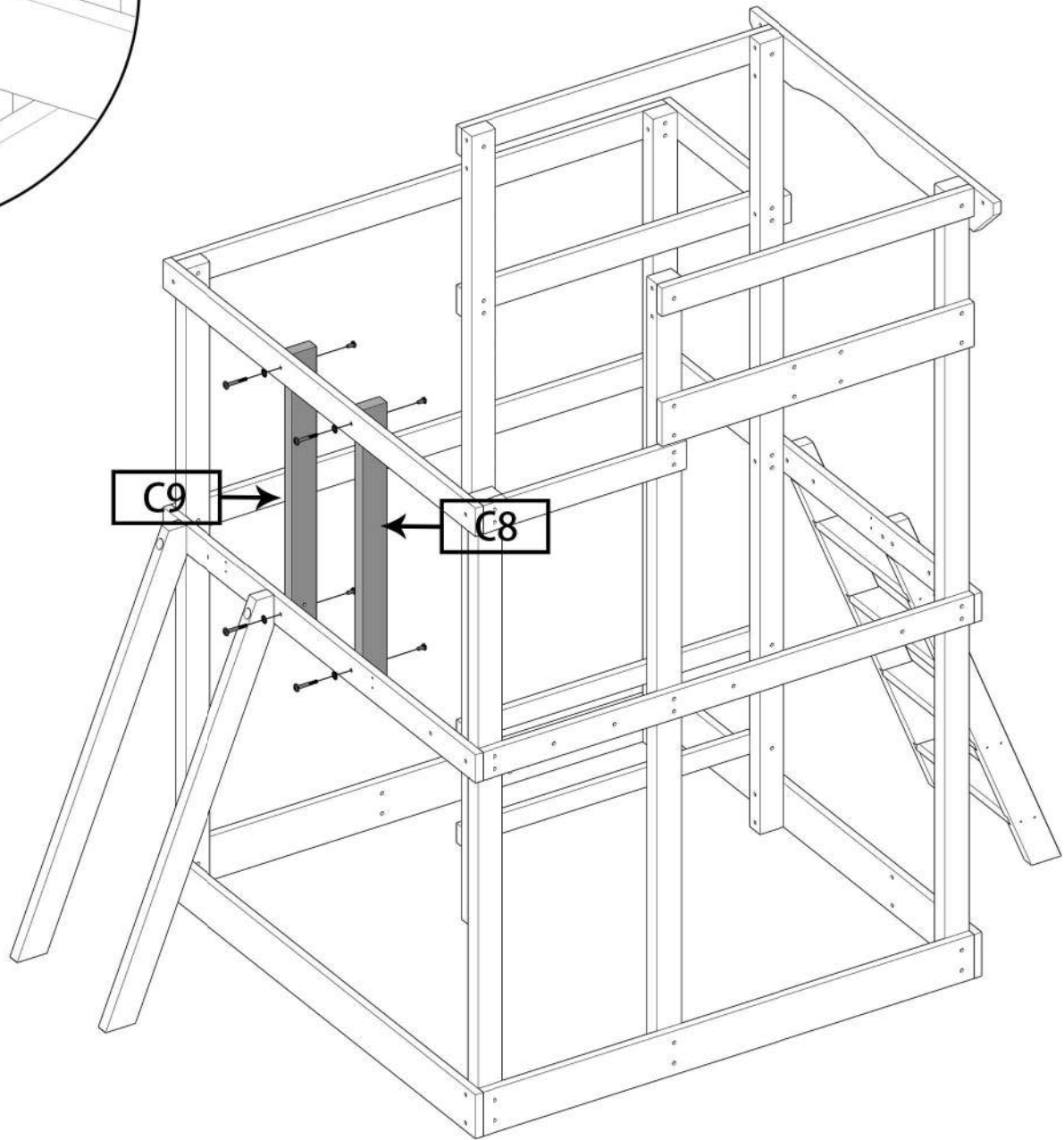


List	
Part NO.	Qty
K2	2
M855	2
M865	2
W10/18	4
N815	4

Step 8

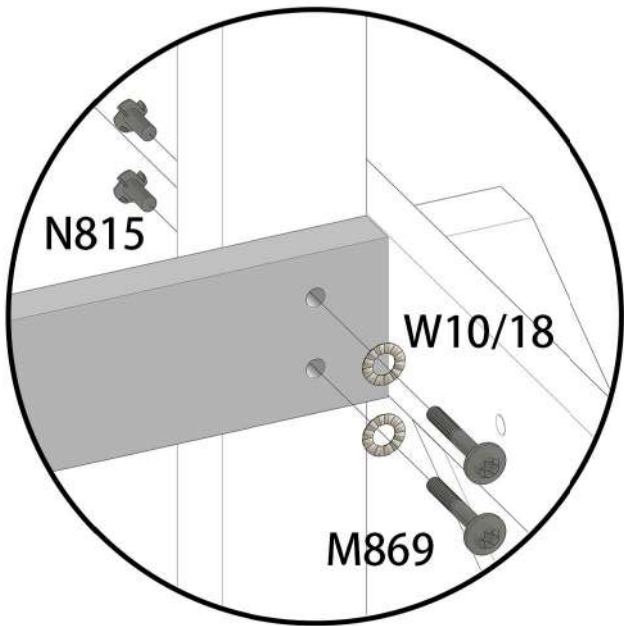


X4

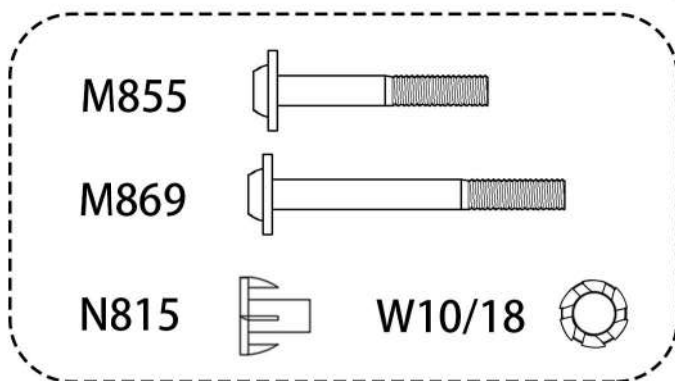
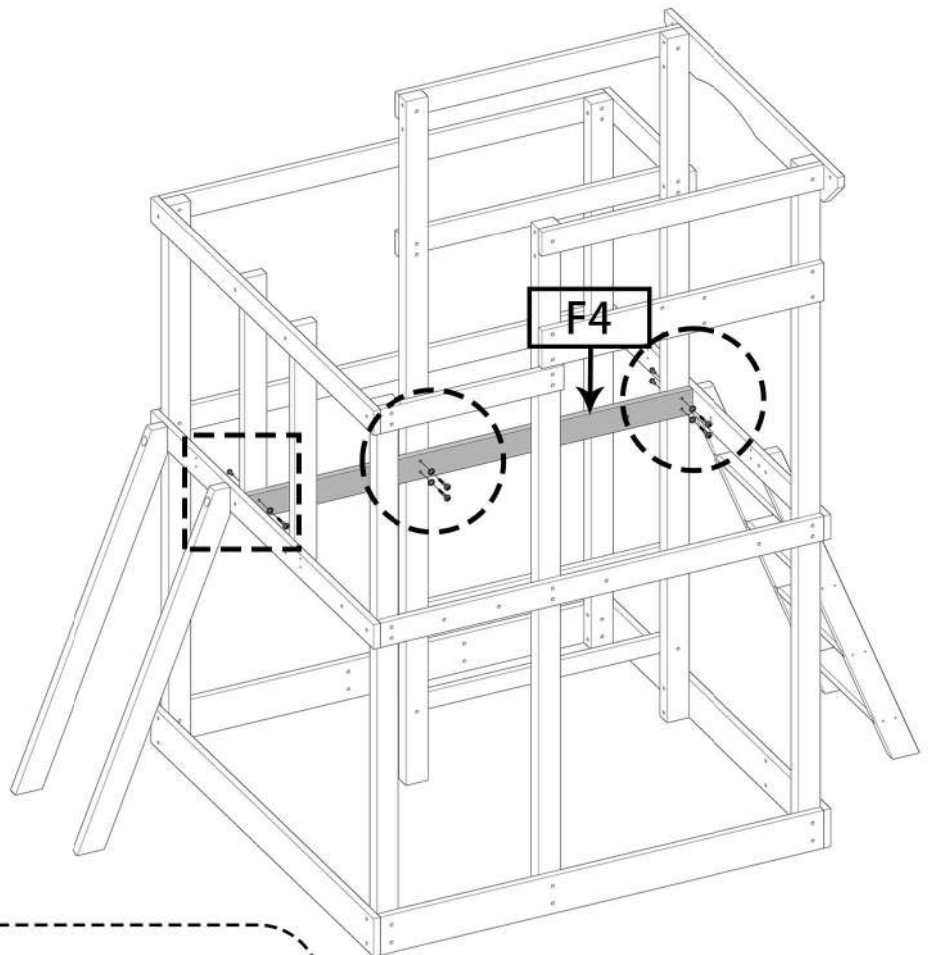
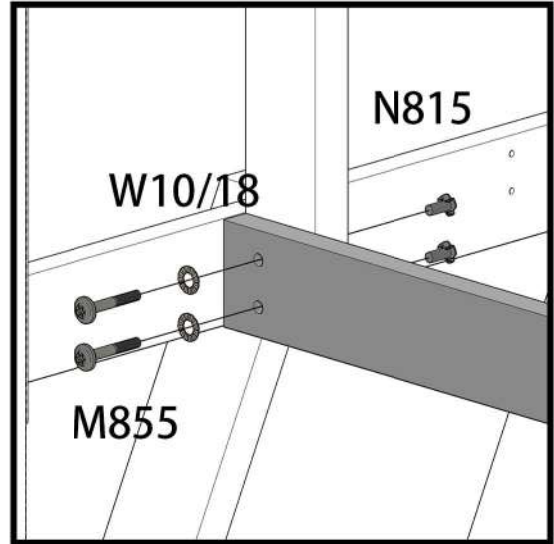


List	
Part NO.	Qty
C8	1
C9	1
M896	4
W10/18	4
N815	4

Step 9

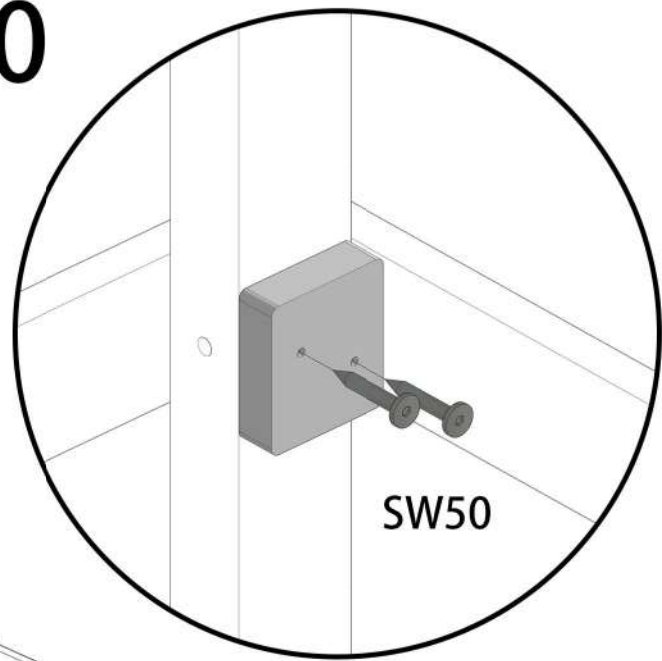


X2



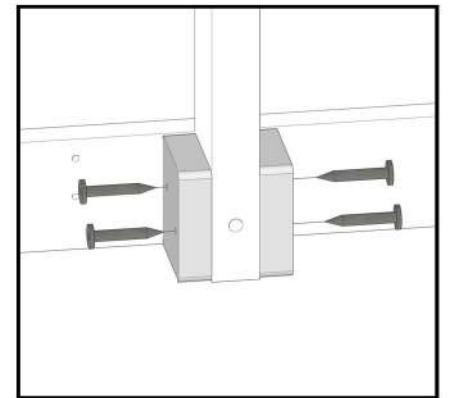
List	
Part NO.	Qty
F4	1
M869	4
W10/18	6
N815	6
M855	2

Step 10

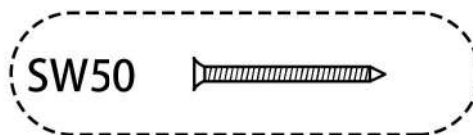
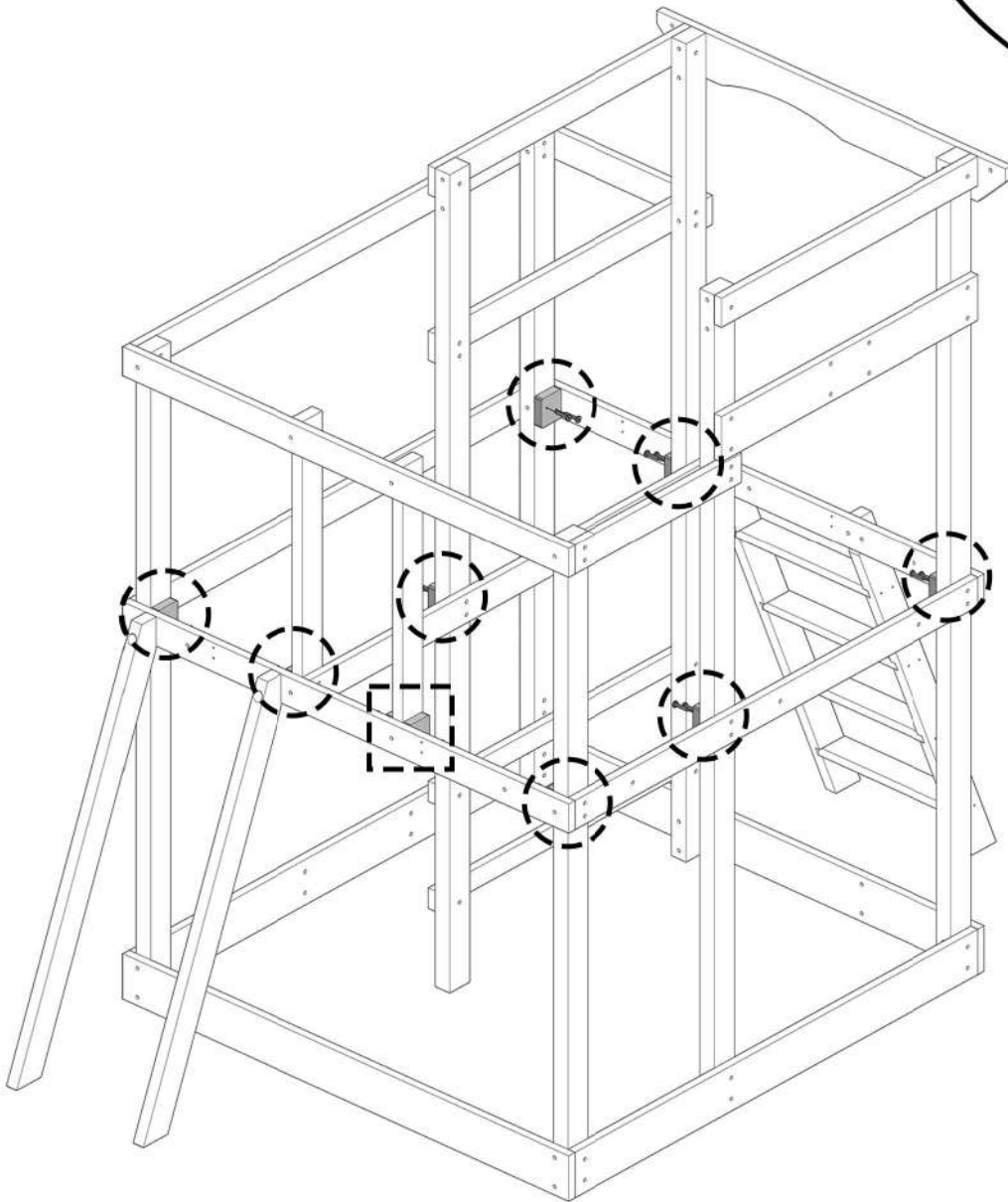


SW50

FA26 X8

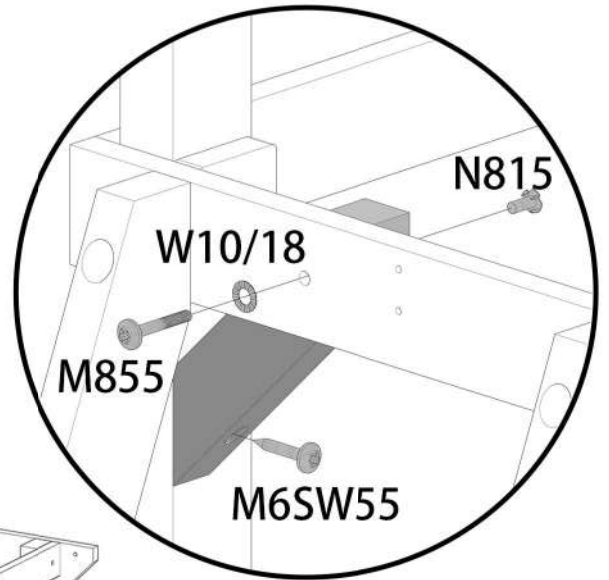


X2

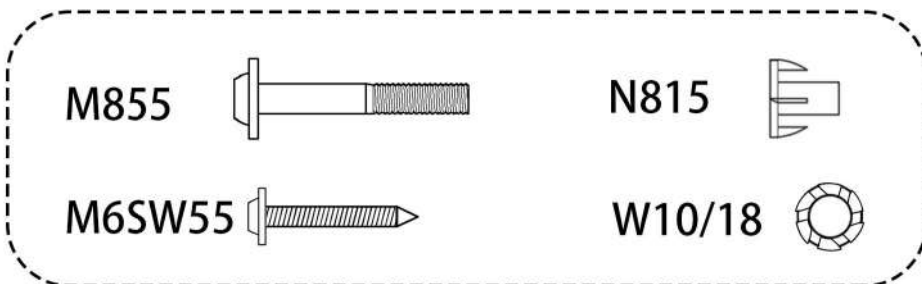
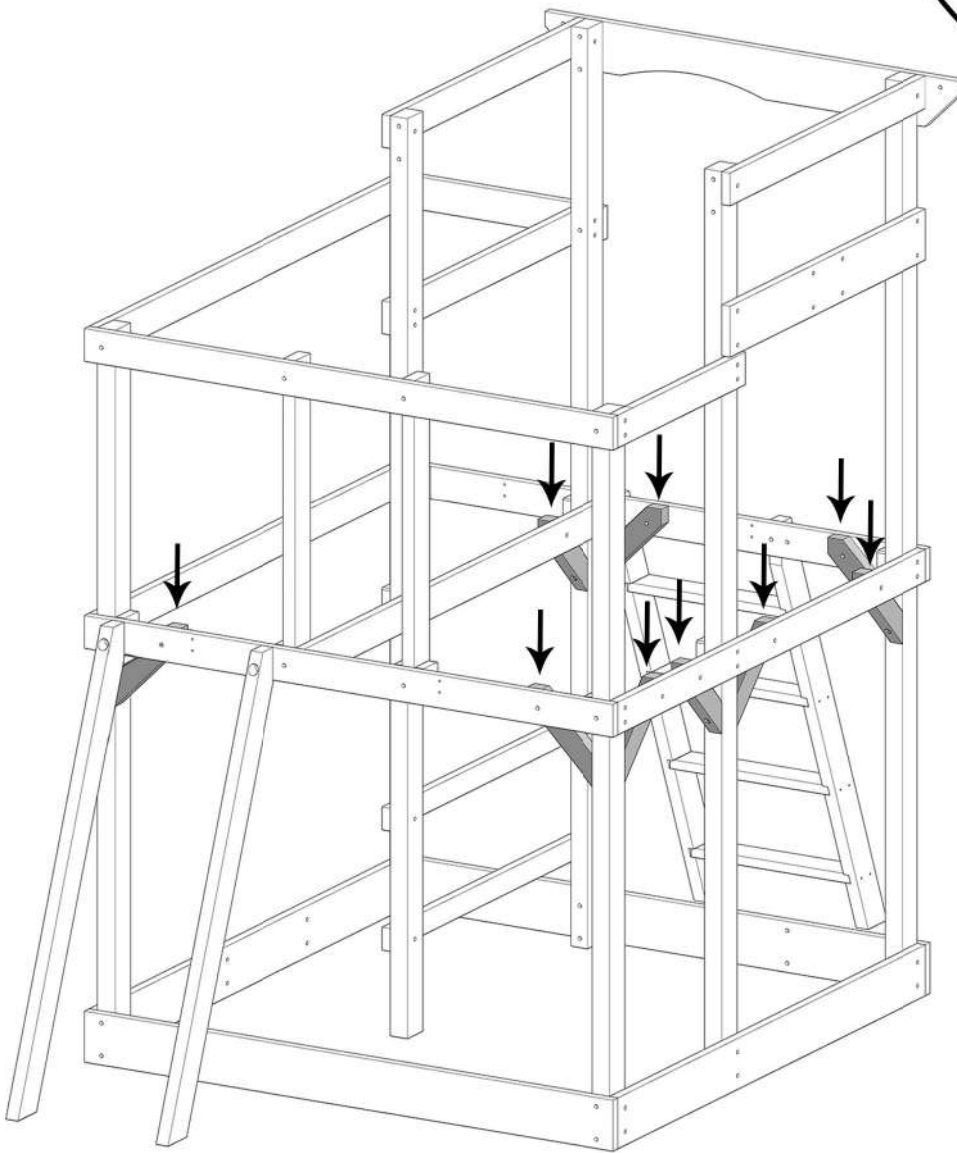


List	
Part NO.	Qty
FA26	10
SW50	20

Step 11

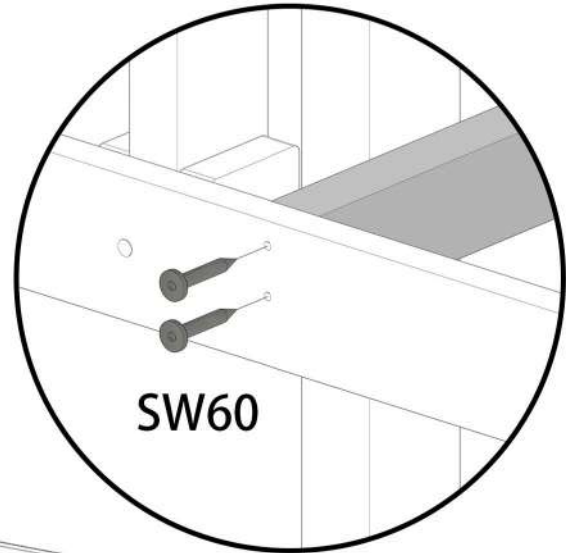


K30 X9

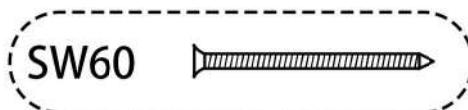
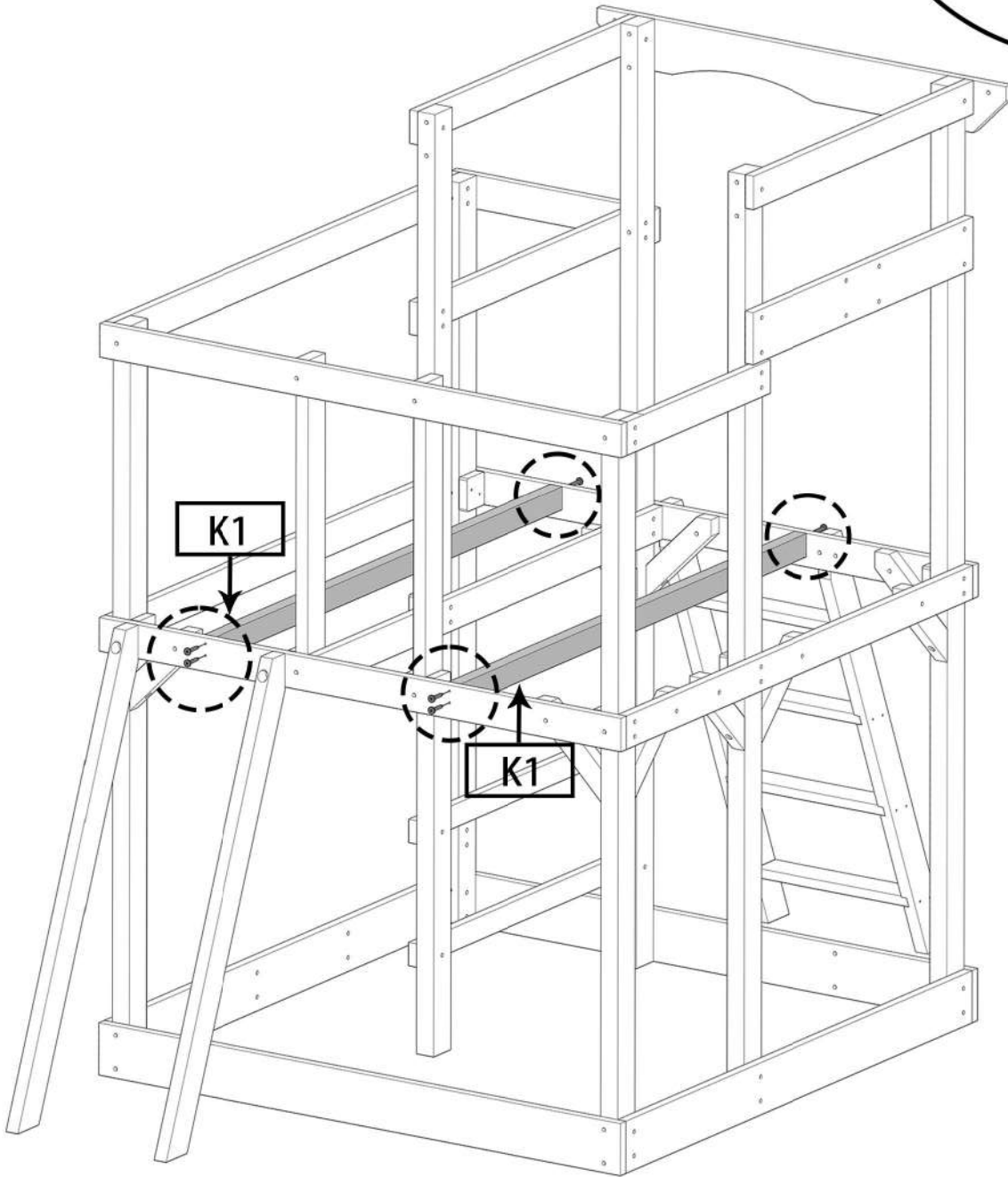


List	
Part NO.	Qty
K30	9
M855	9
N815	9
W10/18	9
M6SW55	9

Step 12

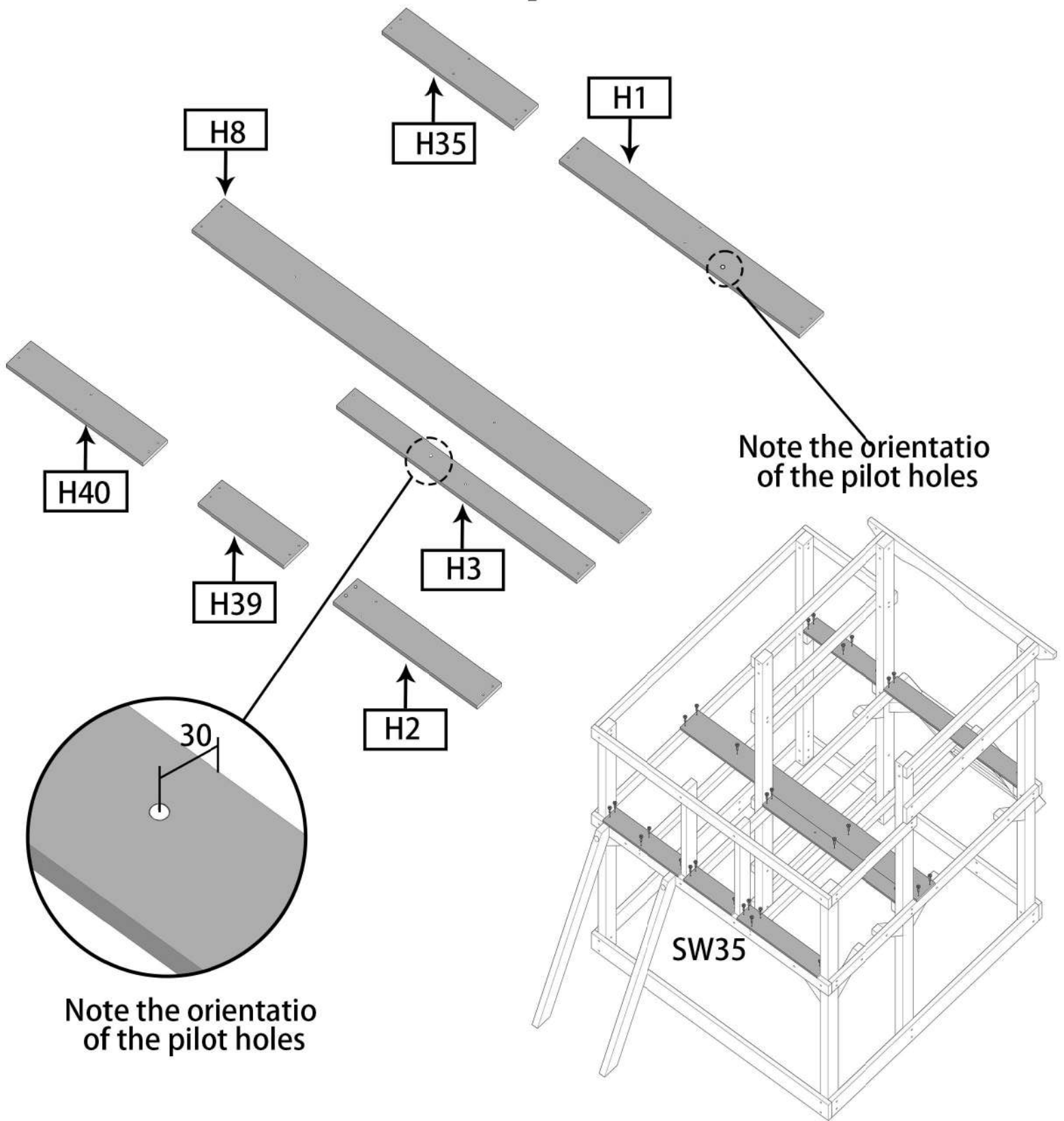


X4

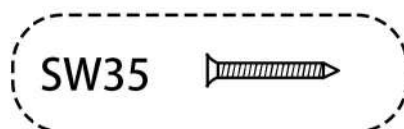


List	
Part NO.	Qty
K1	2
SW60	8

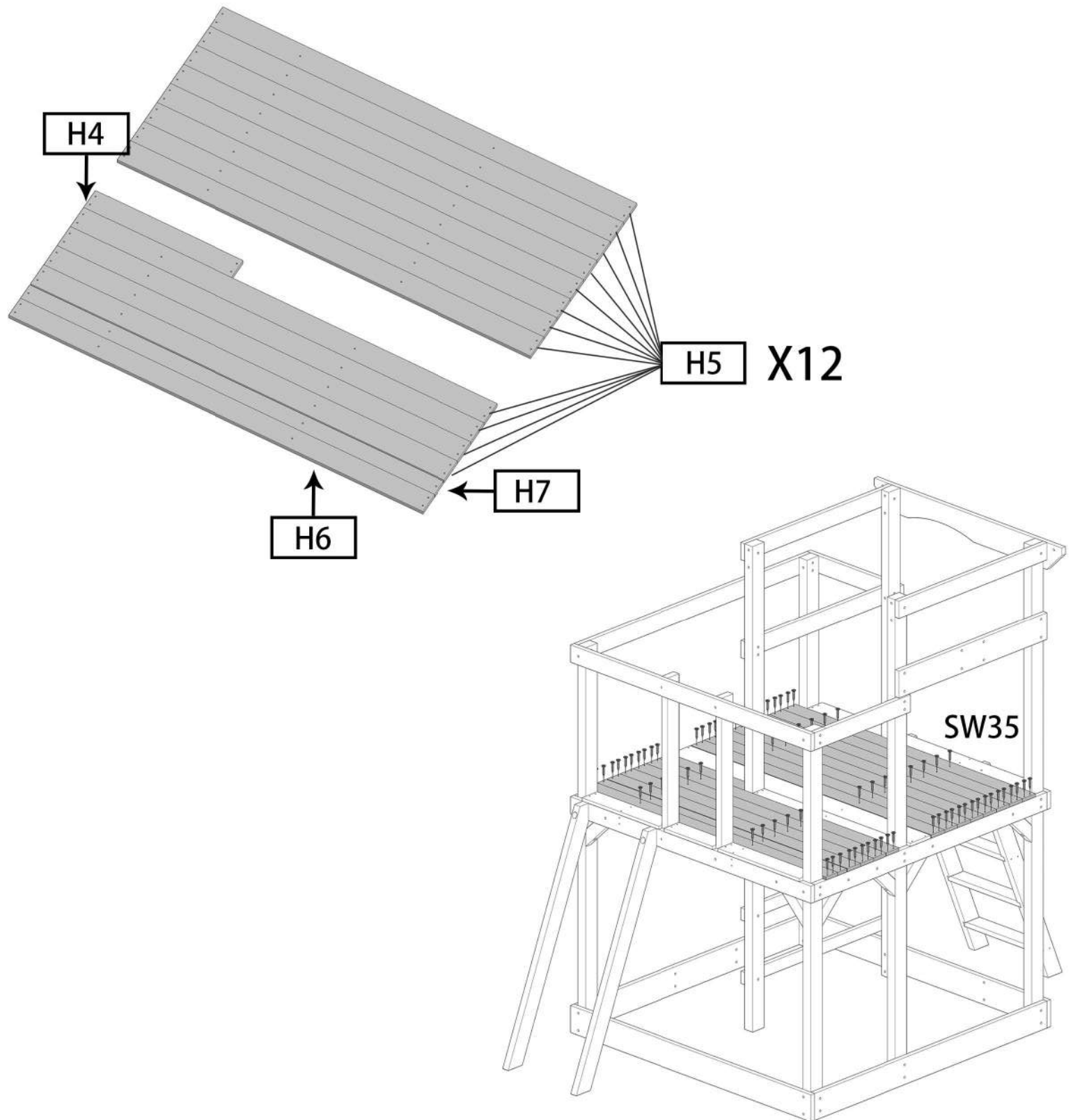
Step 13



List	
Part NO.	Qty
H1	1
H2	1
H3	1
H8	1
H35	1
H39	1
H40	1
SW35	39

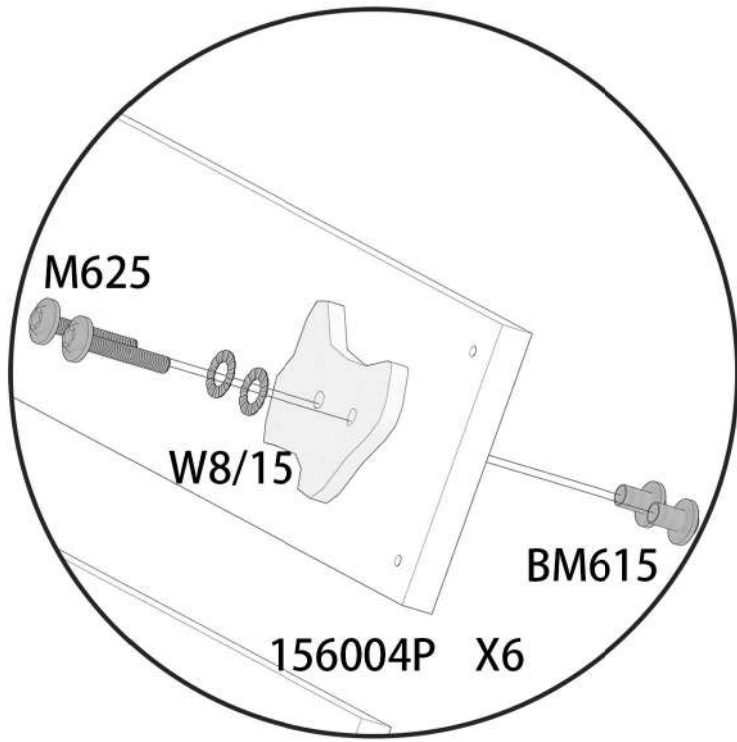


Step 14

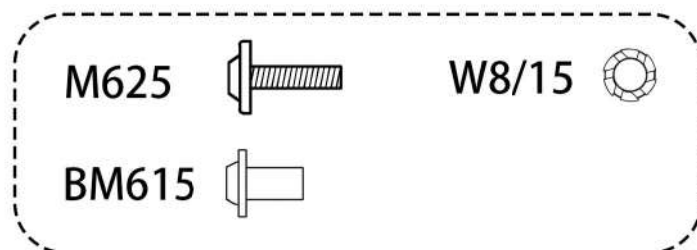
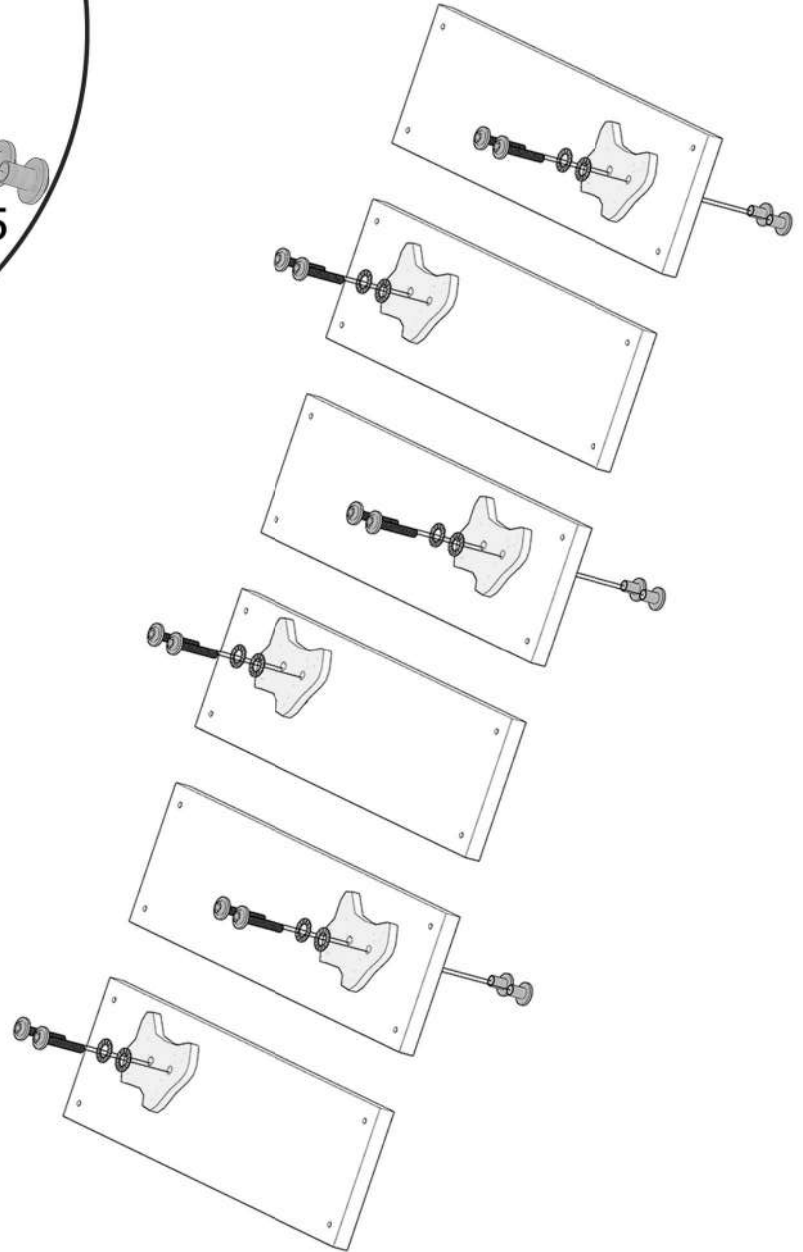


List	
Part NO.	Qty
H4	1
H5	12
H6	1
H7	1
SW35	86

Step15

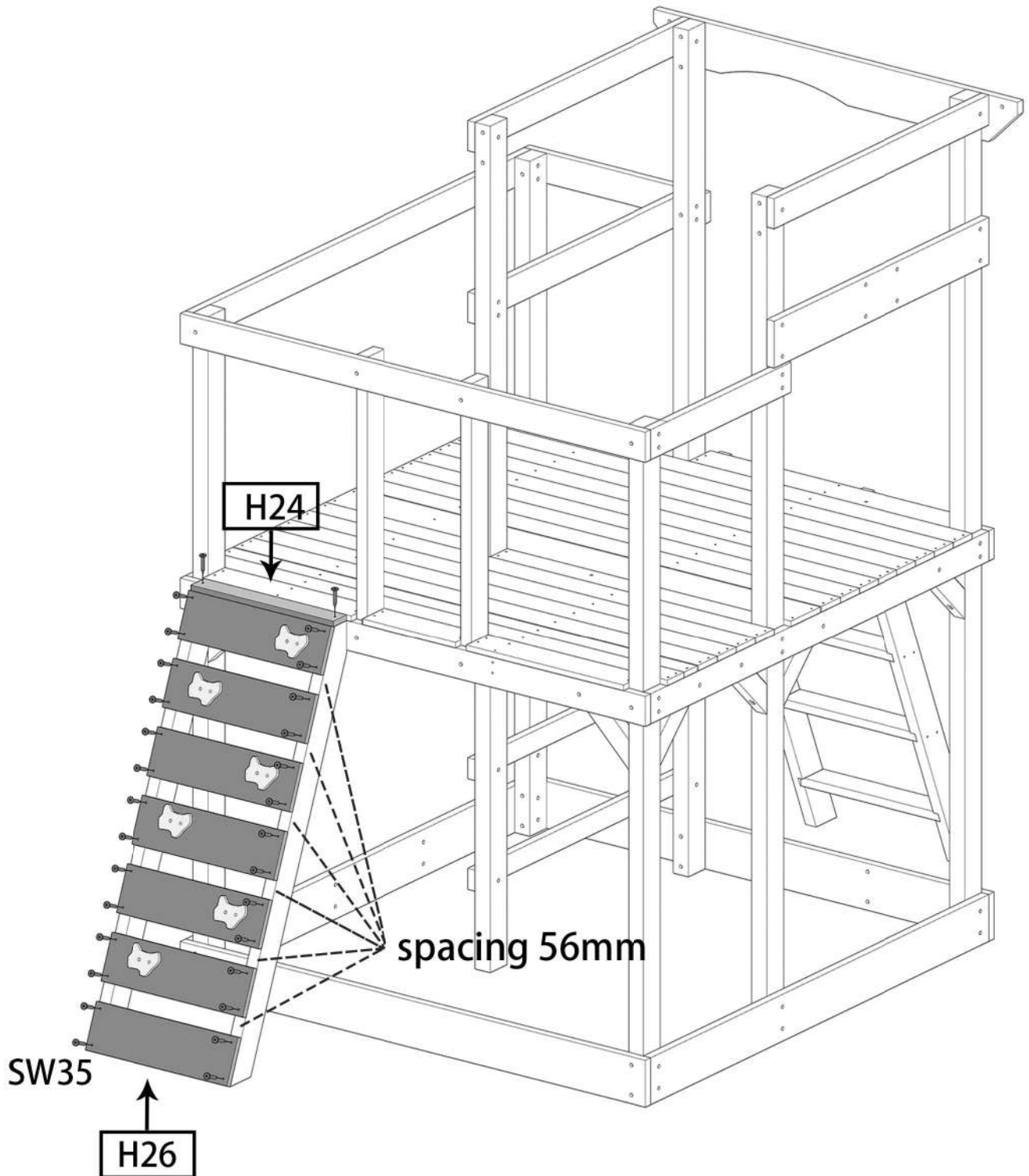


H25 X6



List	
Part NO.	Qty
H25	6
156004P	6
M625	12
W8/15	12
BM615	12

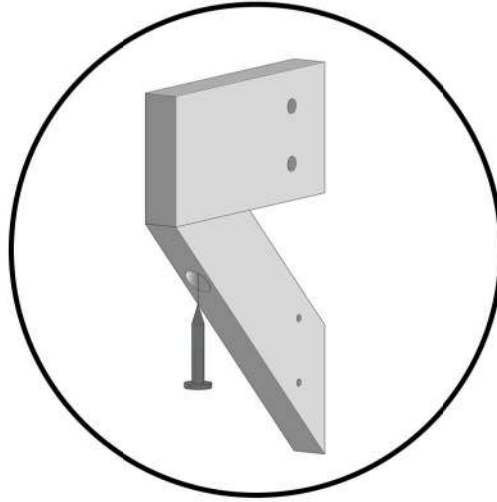
Step 16



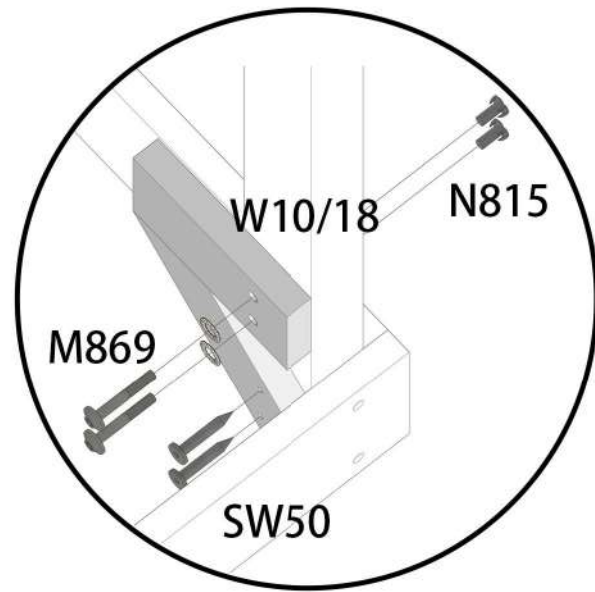
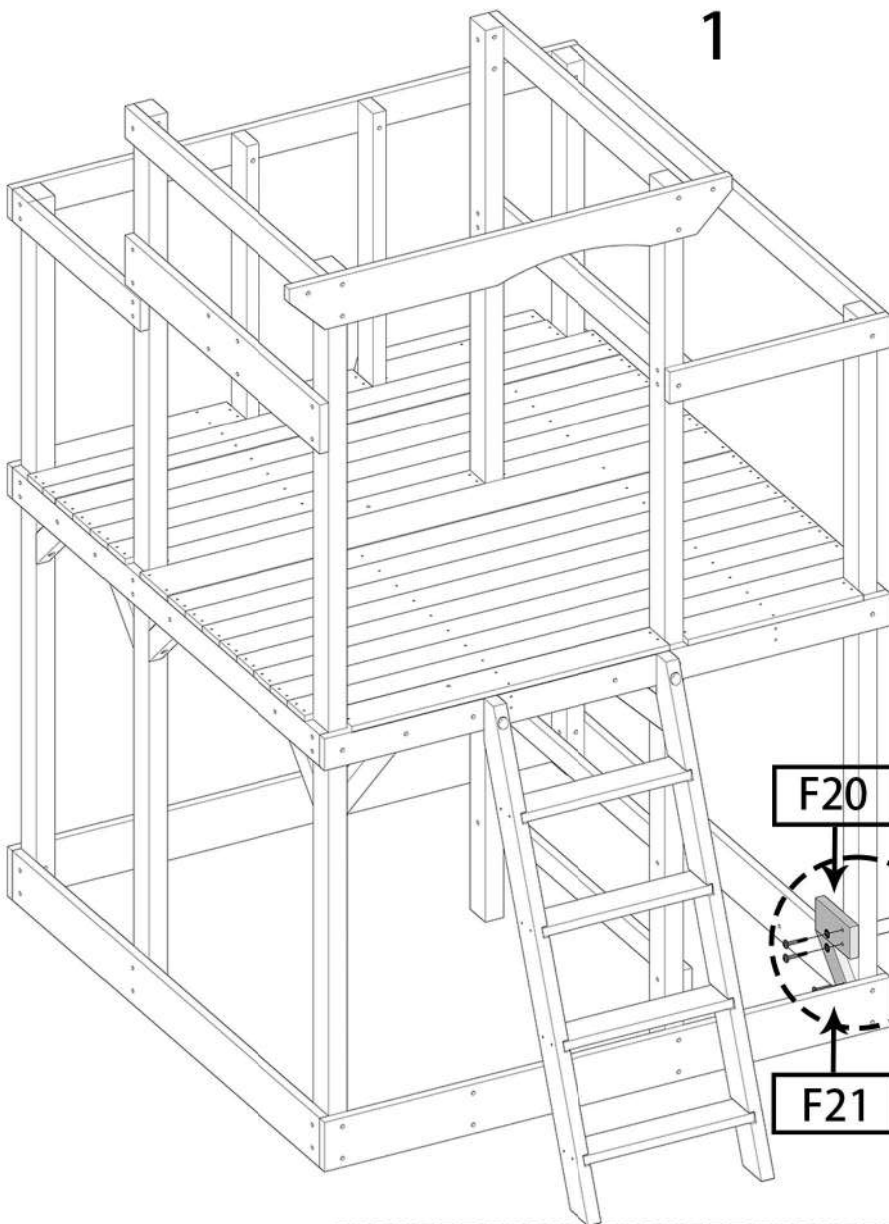
List	
Part NO.	Qty
H24	1
H26	1
SW35	30



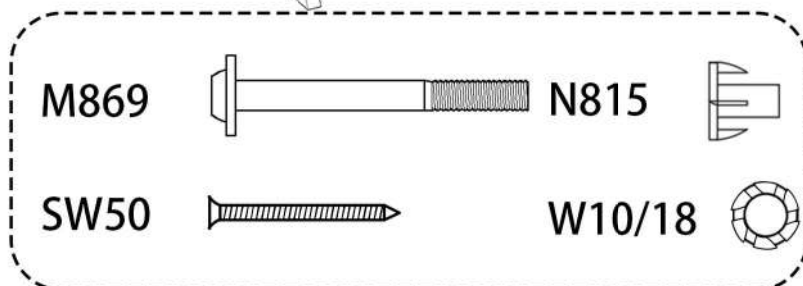
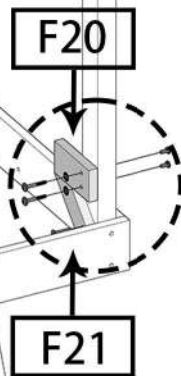
Step 17



1

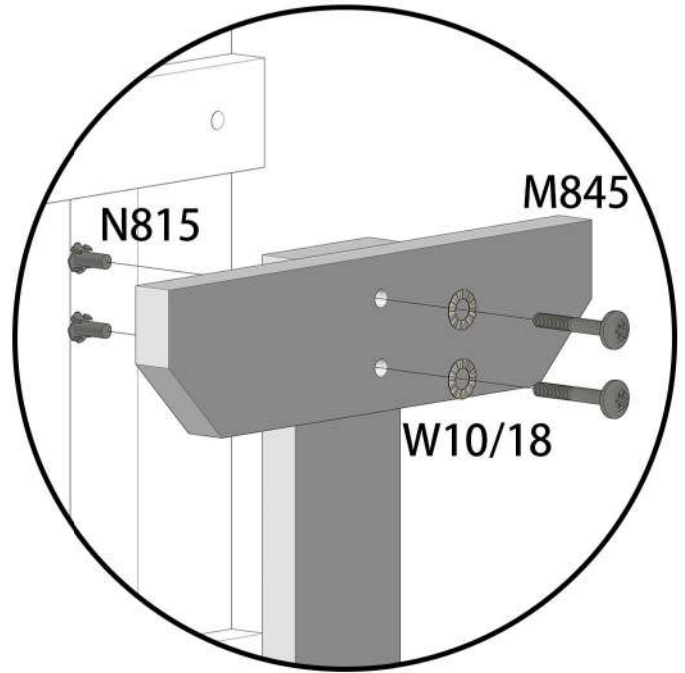


2

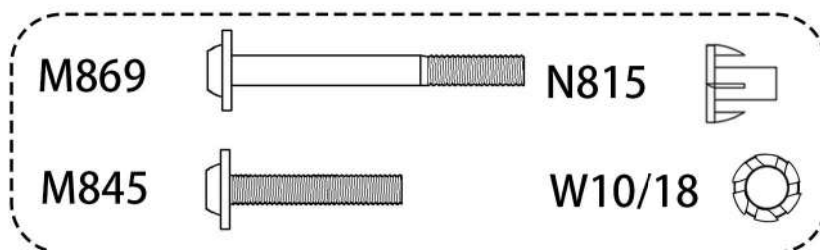
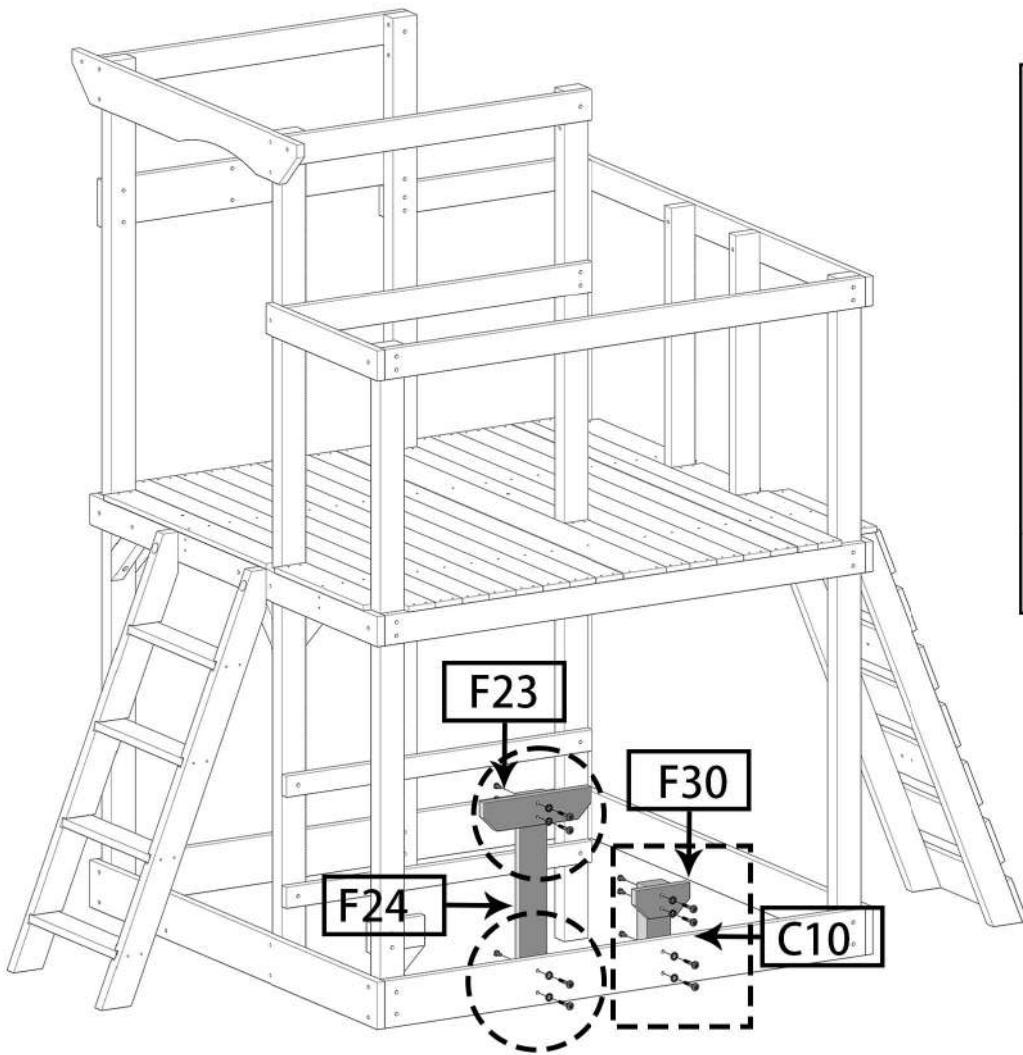
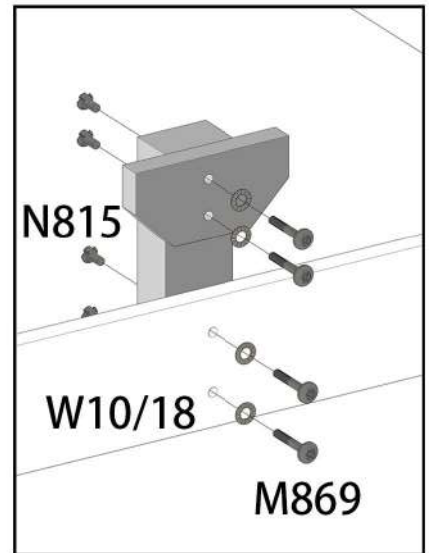


List	
Part NO.	Qty
F20	1
F21	1
SW50	3
M869	2
N815	2
W10/18	2

Step 18

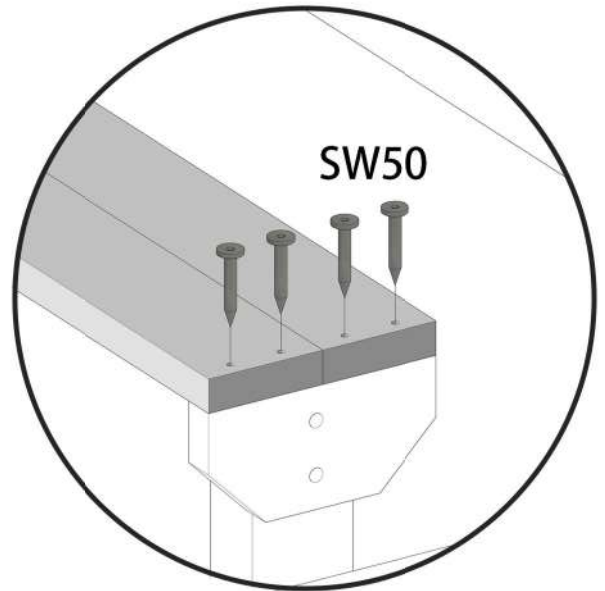


X2

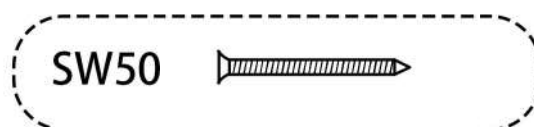
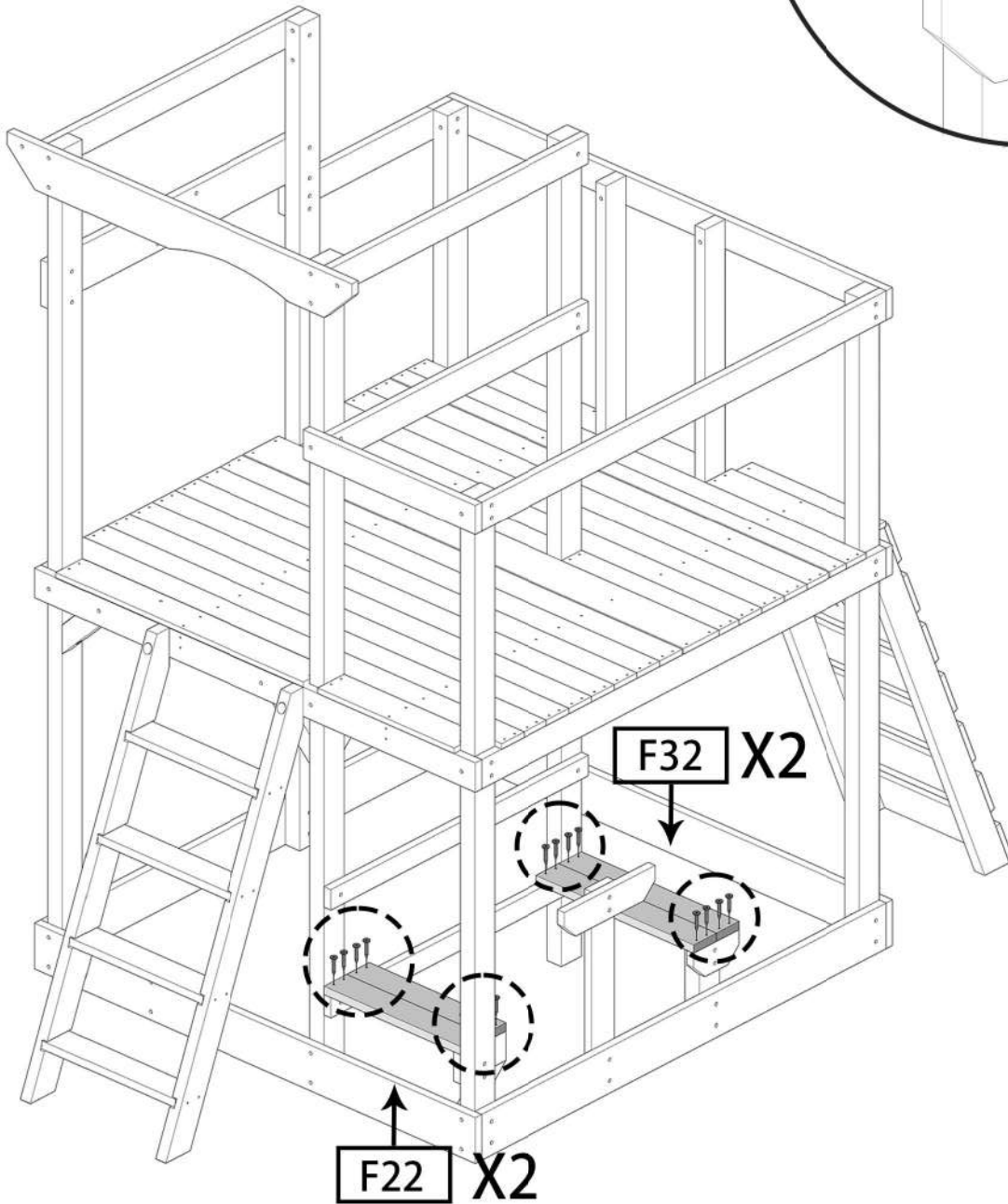


List	
Part NO.	Qty
C10	1
F23	1
F24	1
F30	1
M845	4
M869	4
N815	8
W10/18	8

Step 19

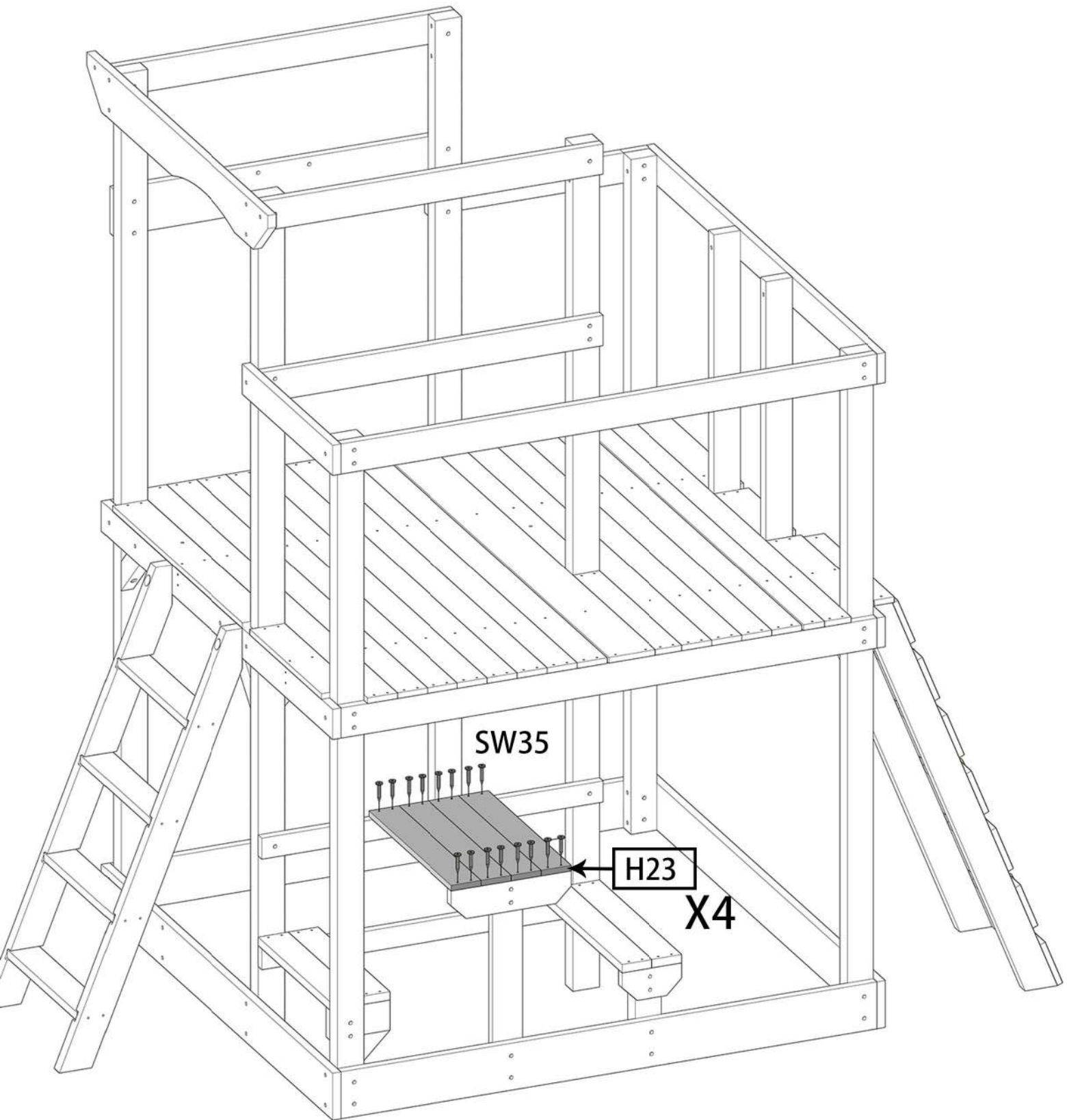


X4



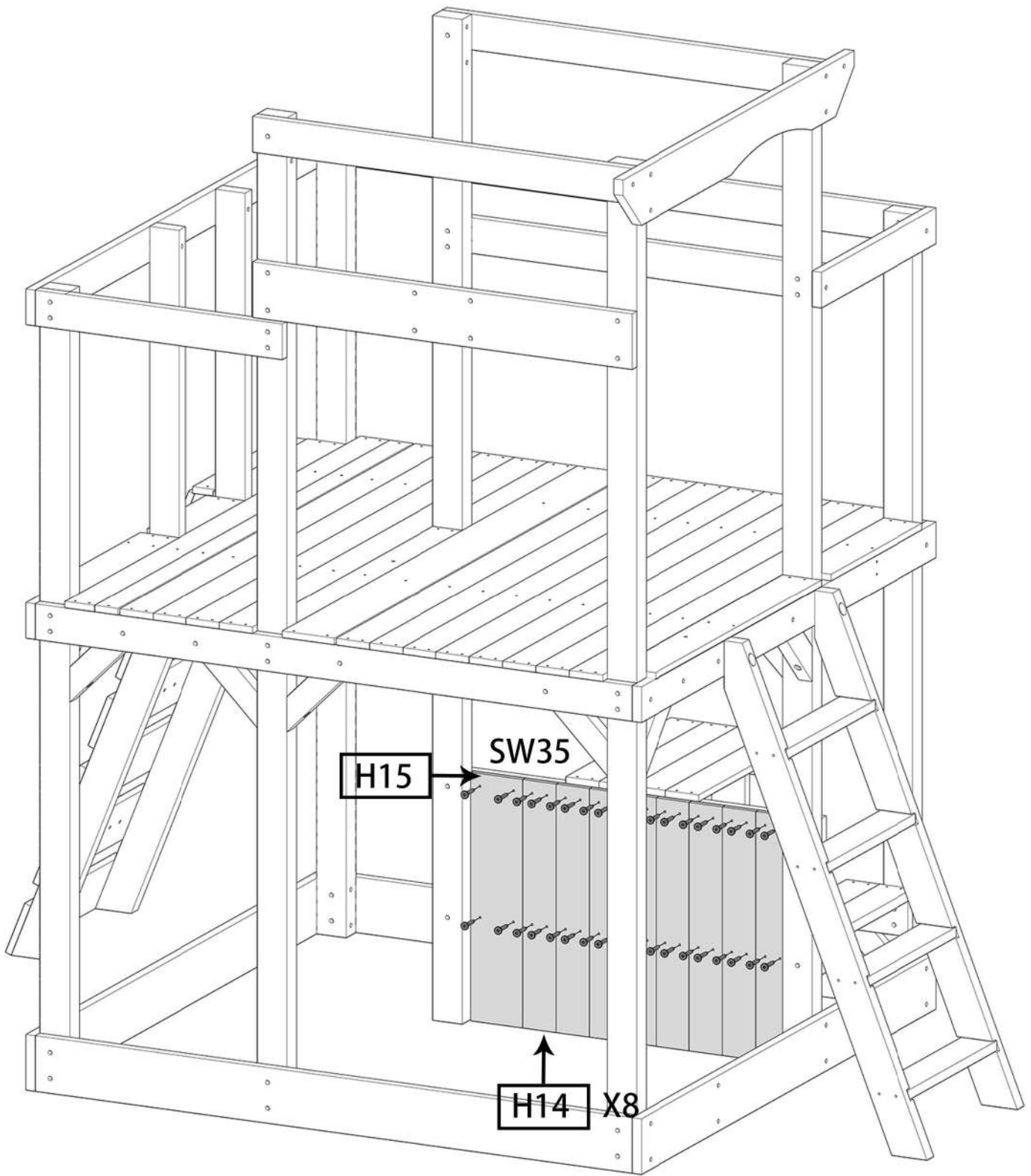
List	
Part NO.	Qty
F22	2
F32	2
SW50	16

Step20



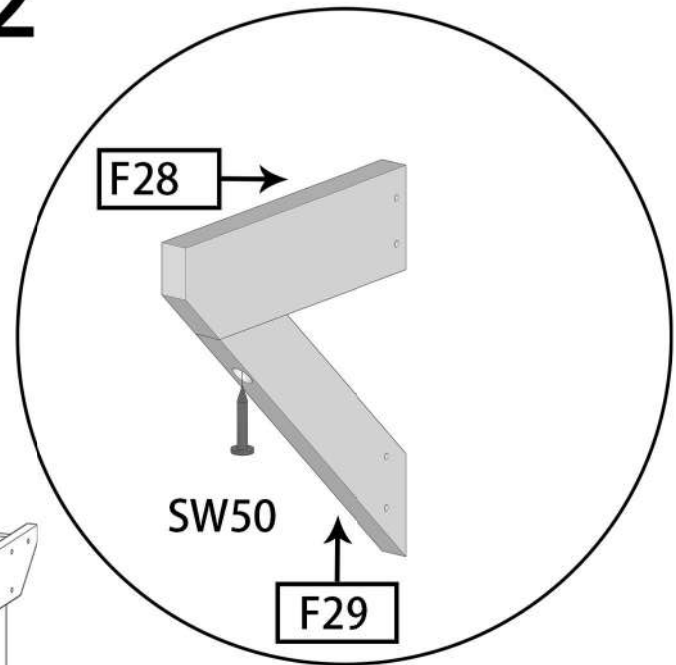
List	
Part NO.	Qty
H23	4
SW35	16

Step21

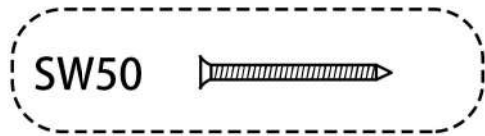
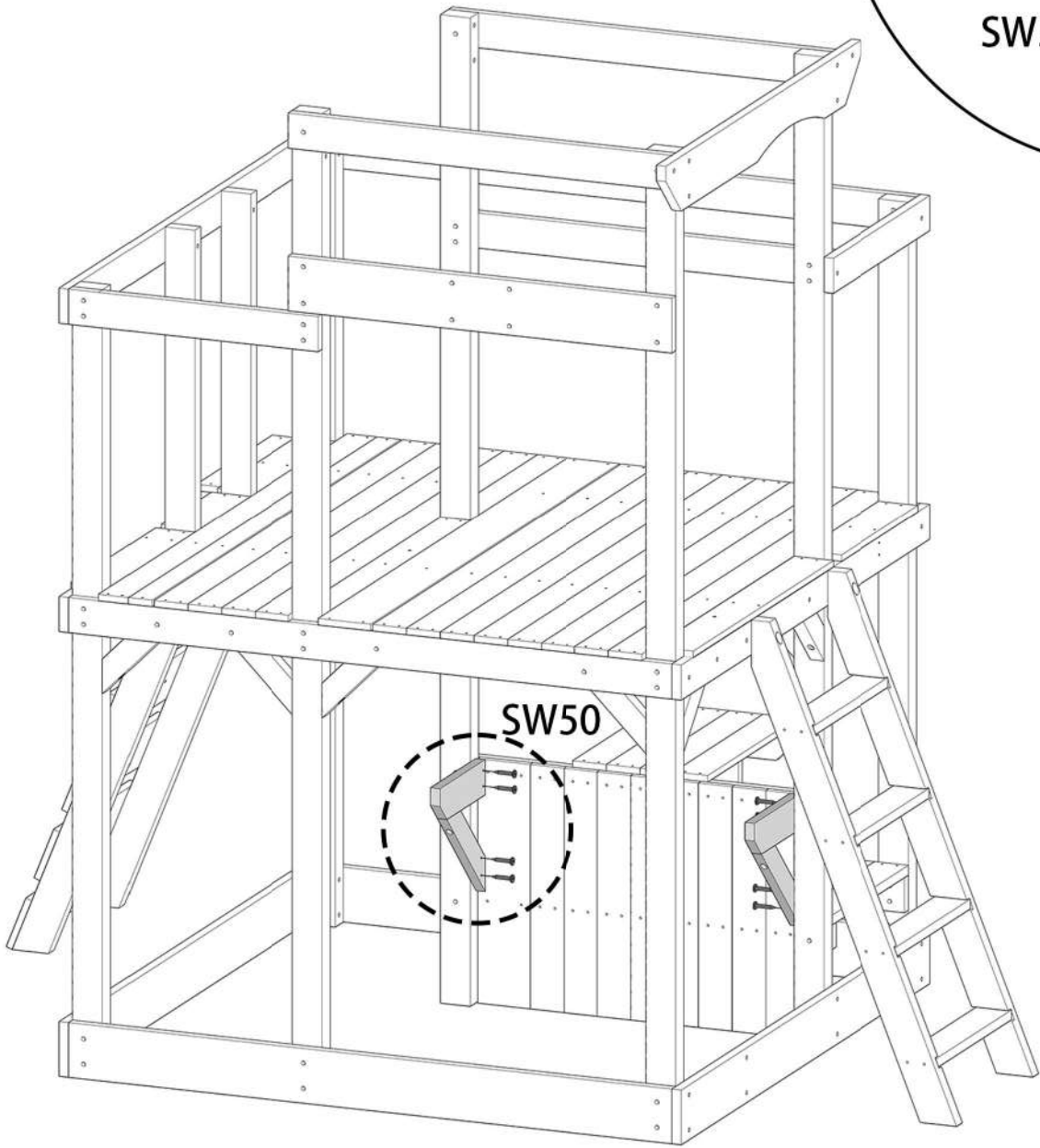


List	
Part NO.	Qty
H14	8
H15	1
SW35	36

Step22

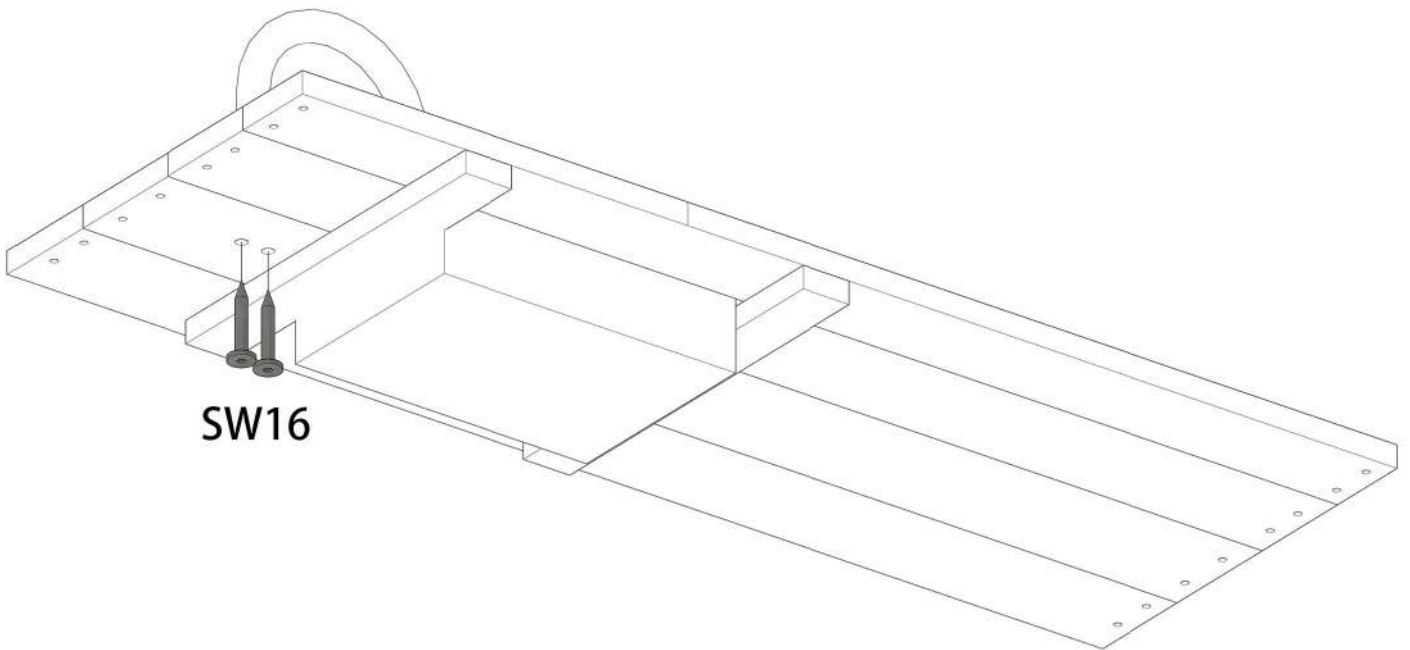
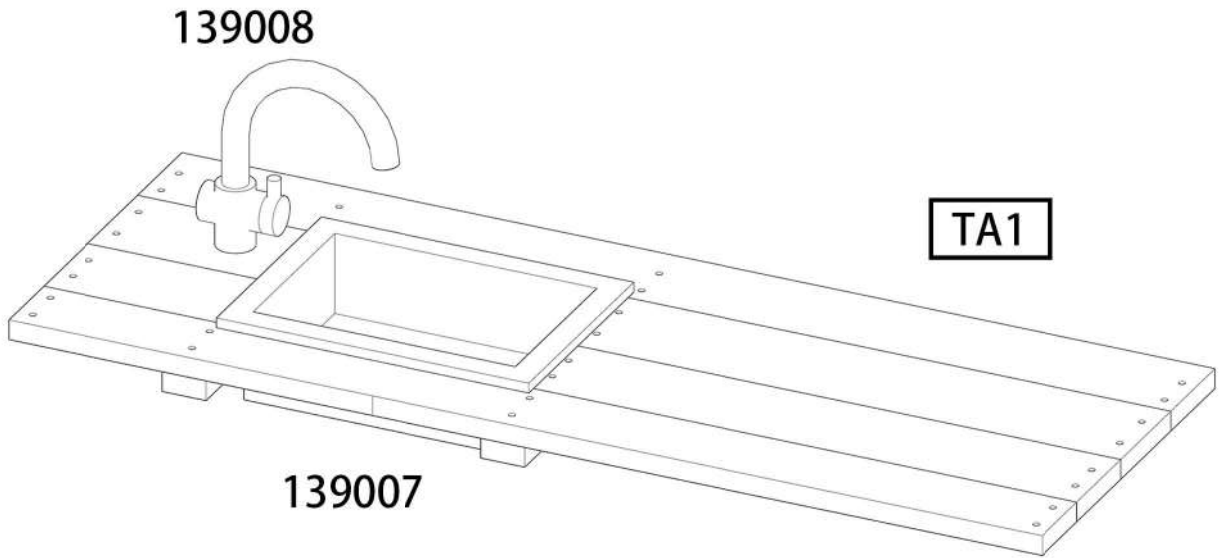


X2



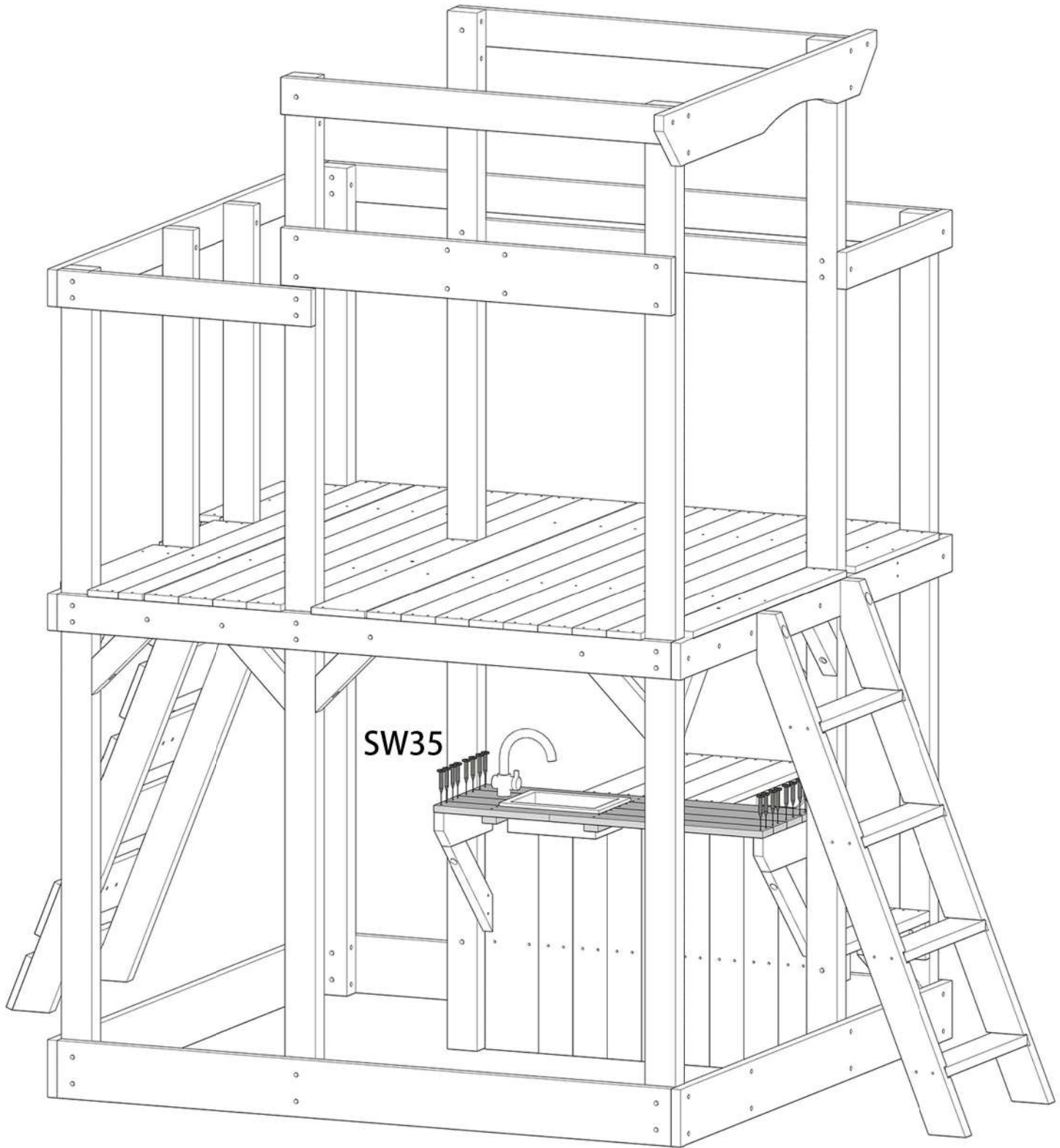
List	
Part NO.	Qty
F28	2
F29	2
SW50	10

Step23



List	
Part NO.	Qty
TA1	1
139007	1
139008	1
SW16	2

Step24

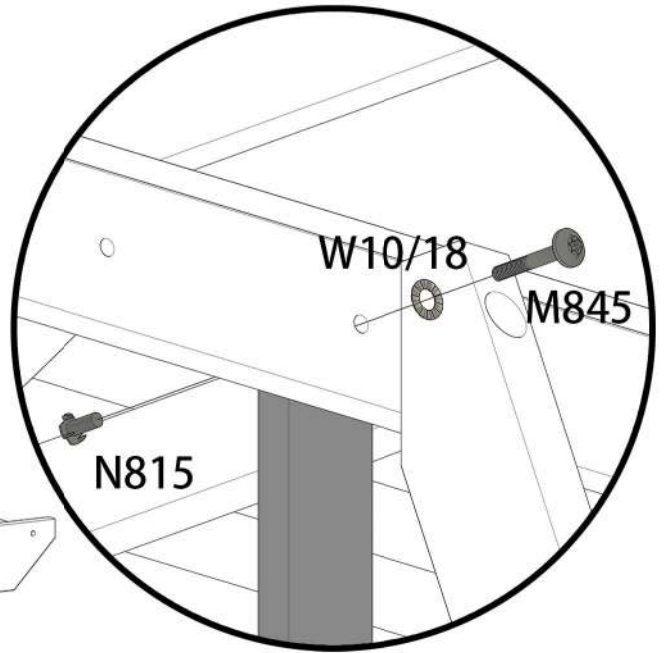


SW35

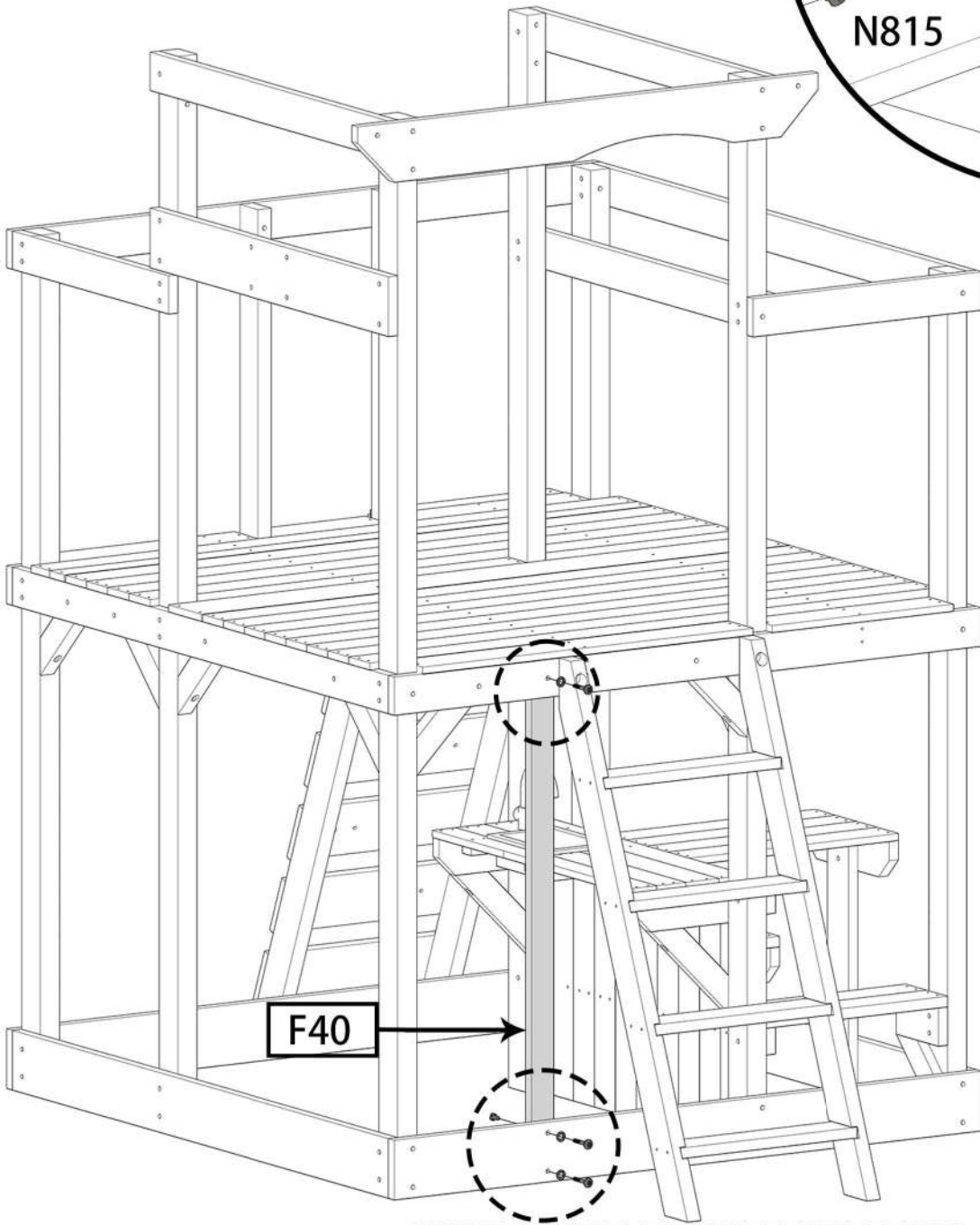


List	
Part NO.	Qty
SW35	16

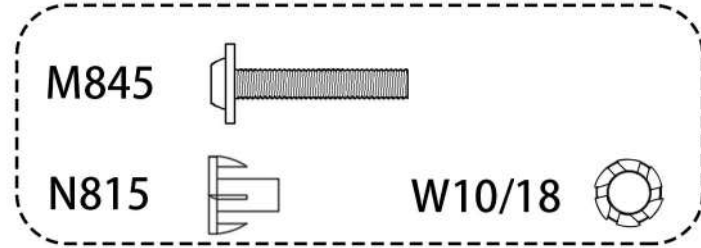
Step25



X3

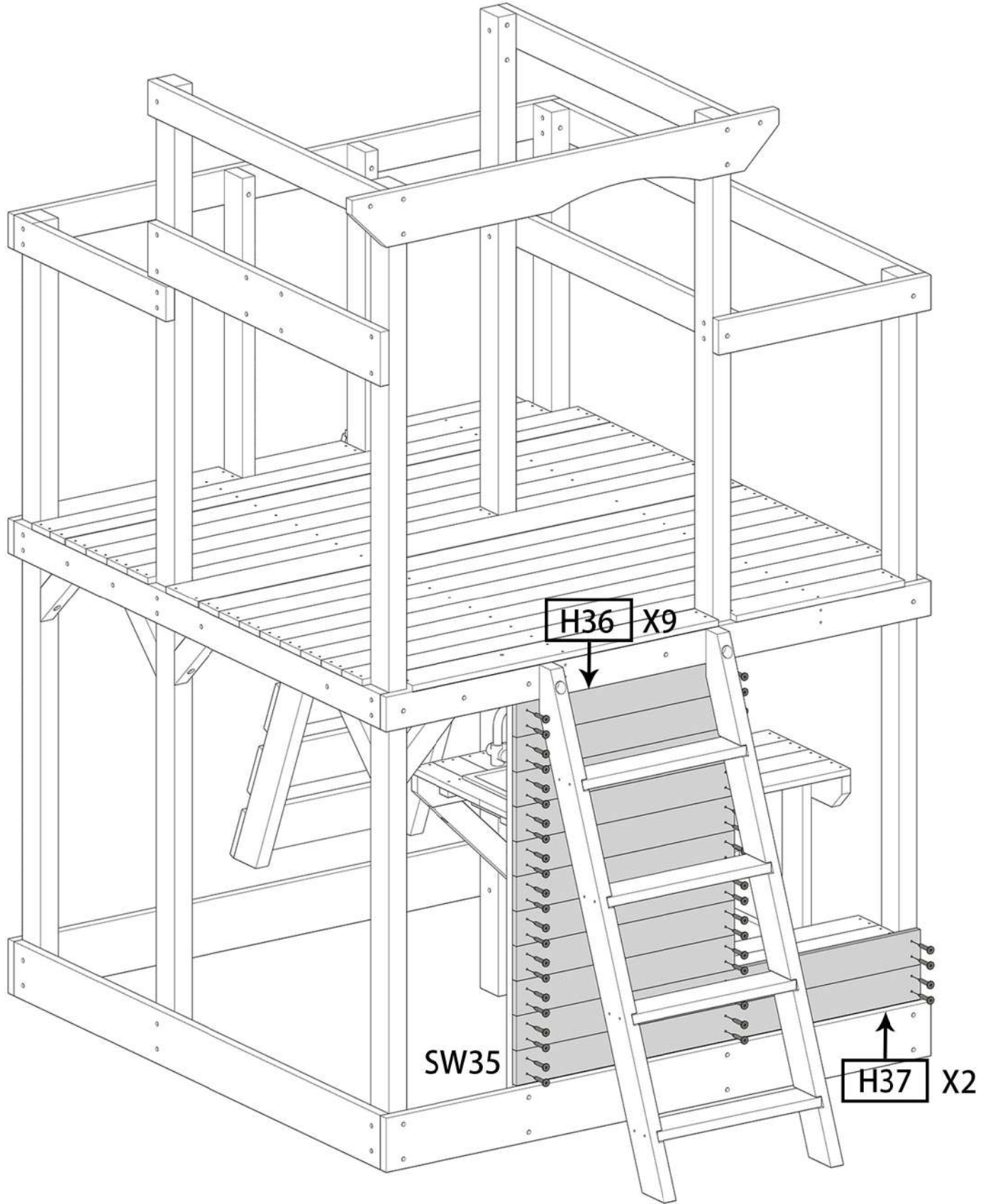


F40



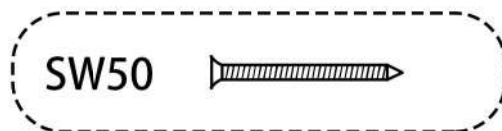
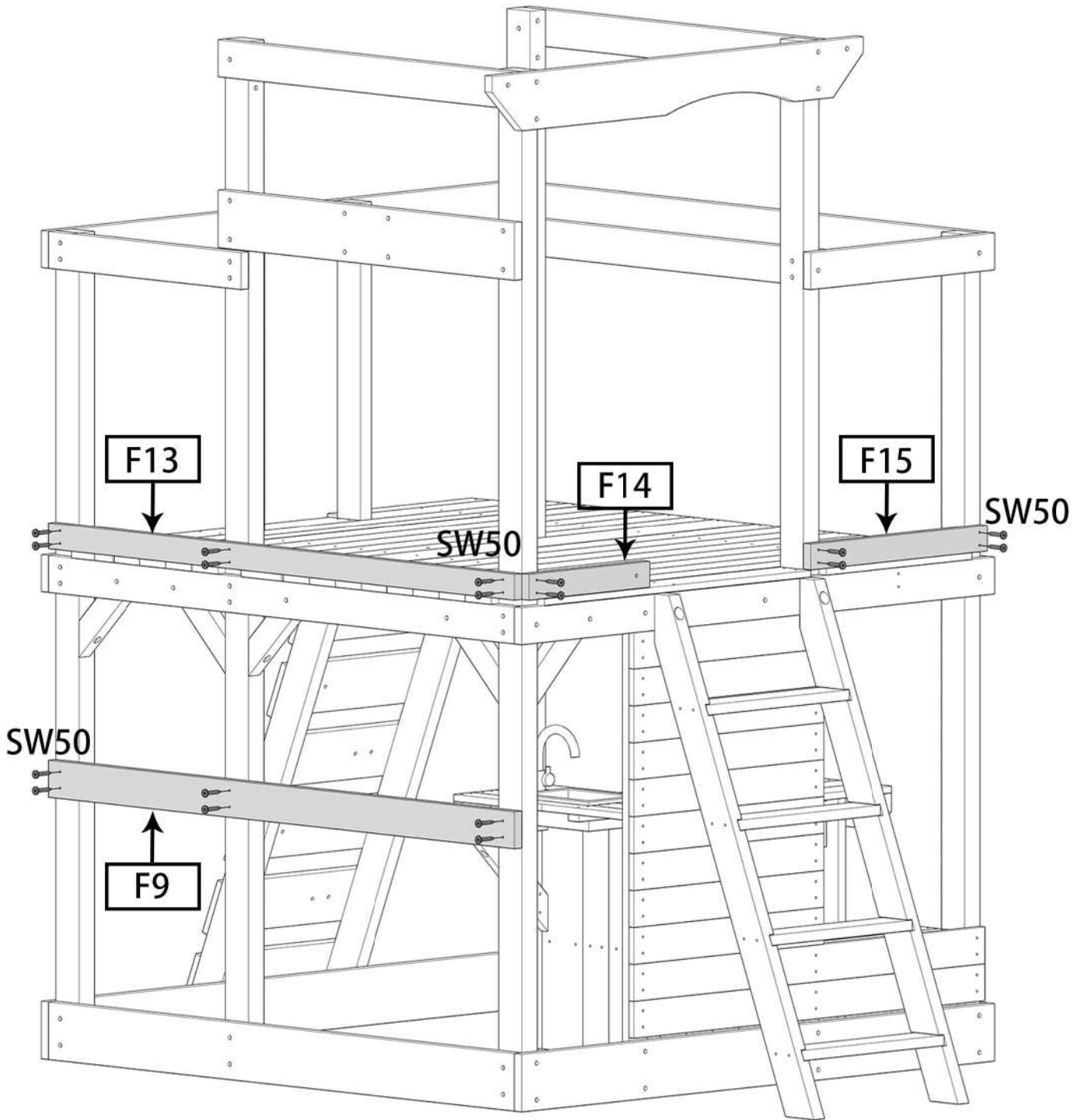
List	
Part NO.	Qty
F40	1
M845	3
N815	3
W10/18	3

Step 26



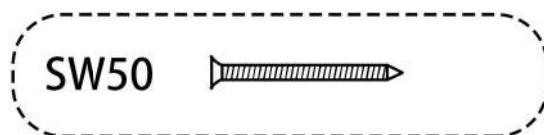
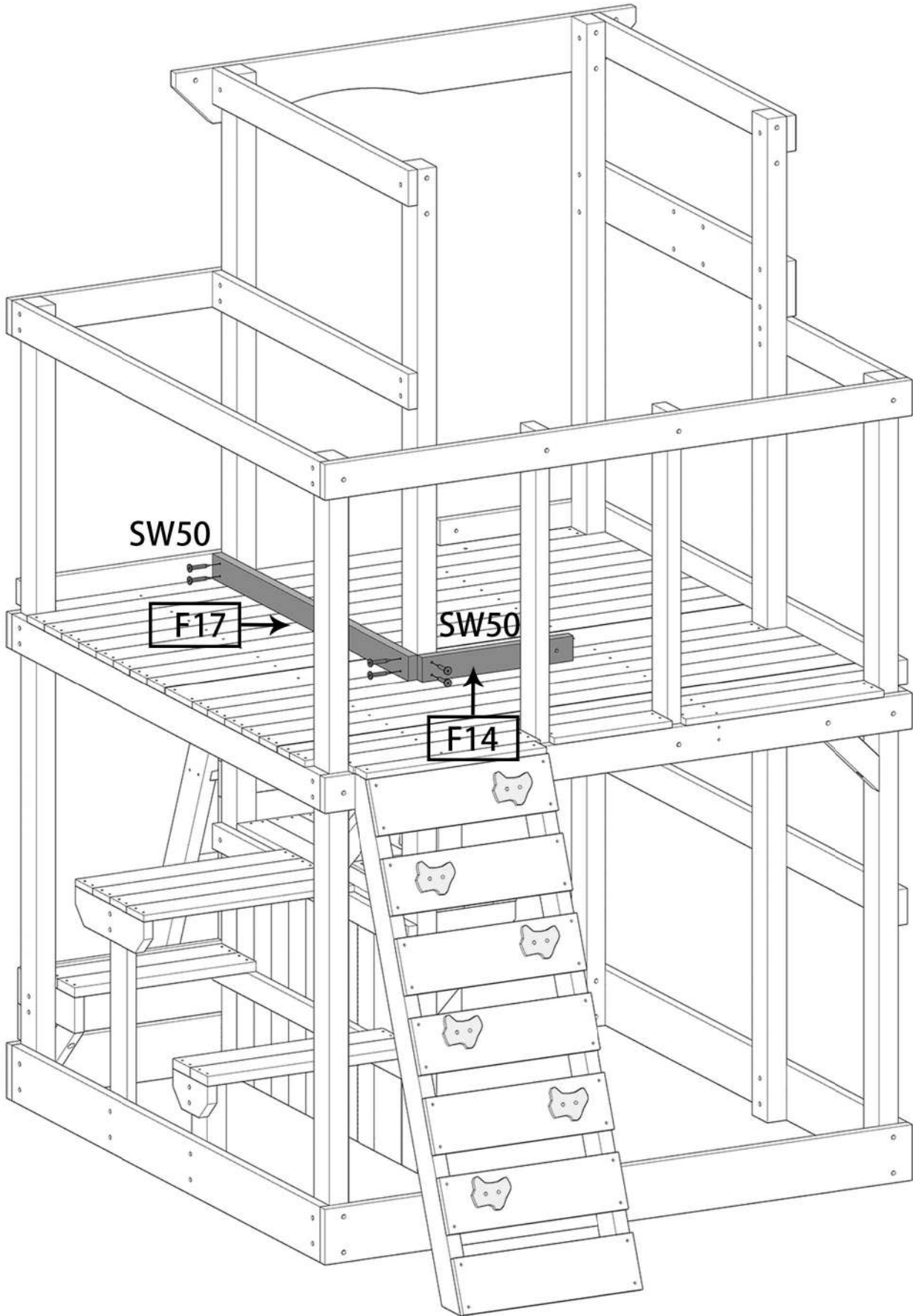
List	
Part NO.	Qty
H36	9
H37	2
SW35	48

Step27



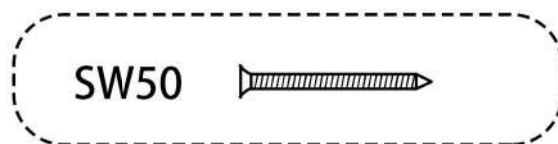
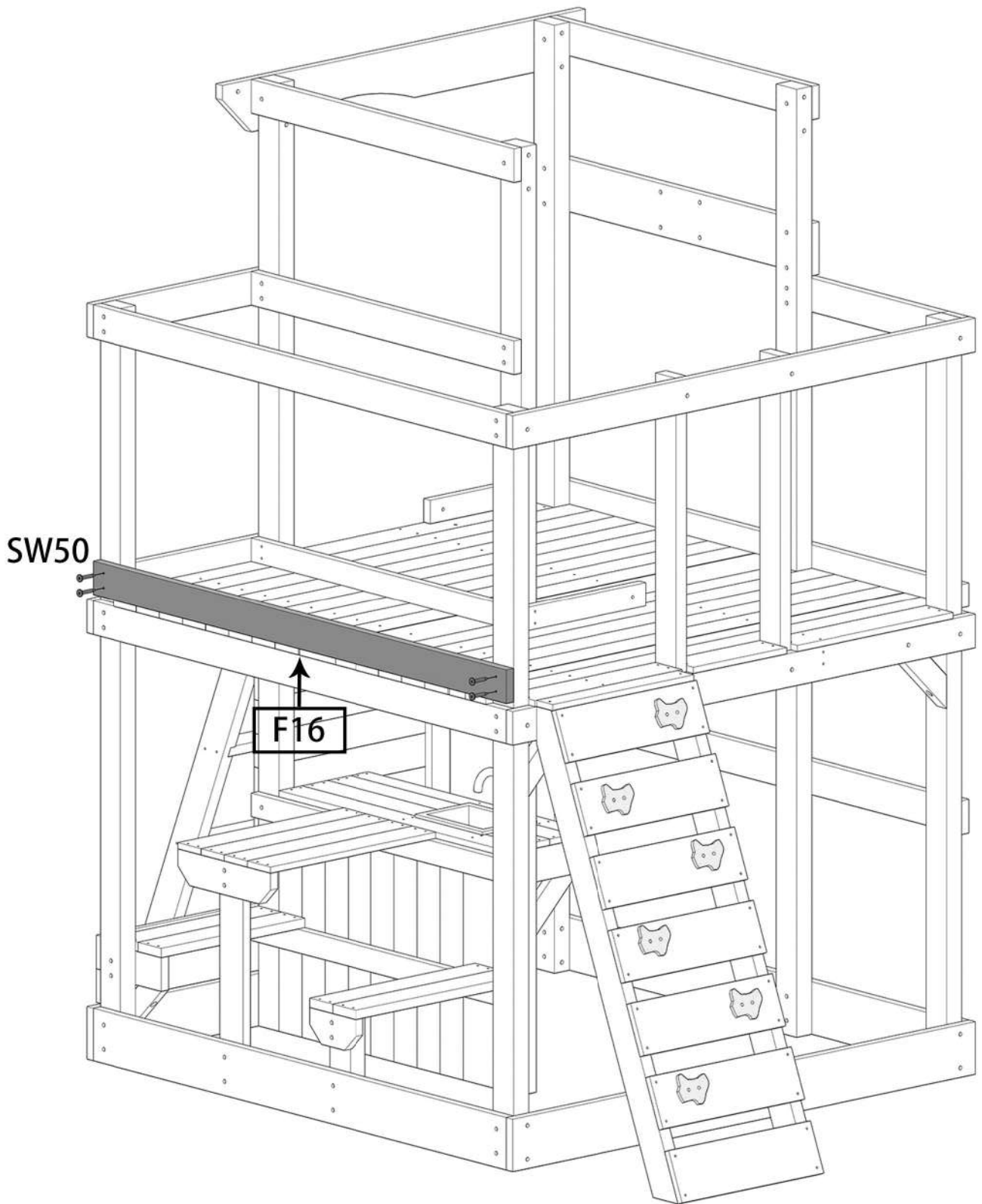
List	
Part NO.	Qty
F9	1
F13	1
F14	1
F15	1
SW50	18

Step28



List	
Part NO.	Qty
F14	1
F17	1
SW50	6

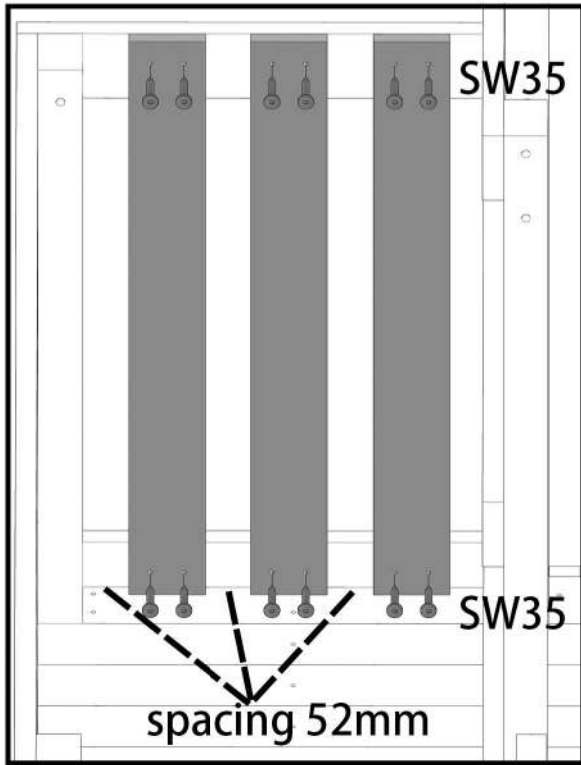
Step29



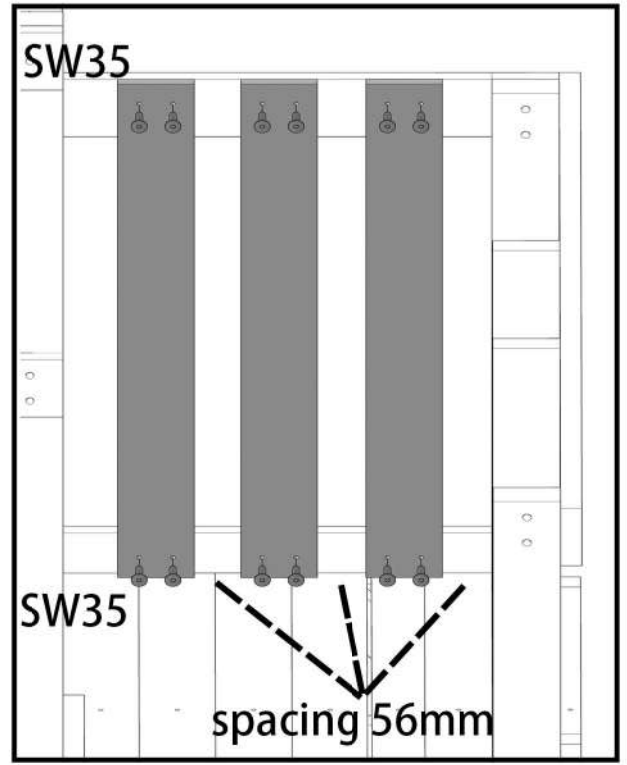
List	
Part NO.	Qty
F16	1
SW50	4

Step30

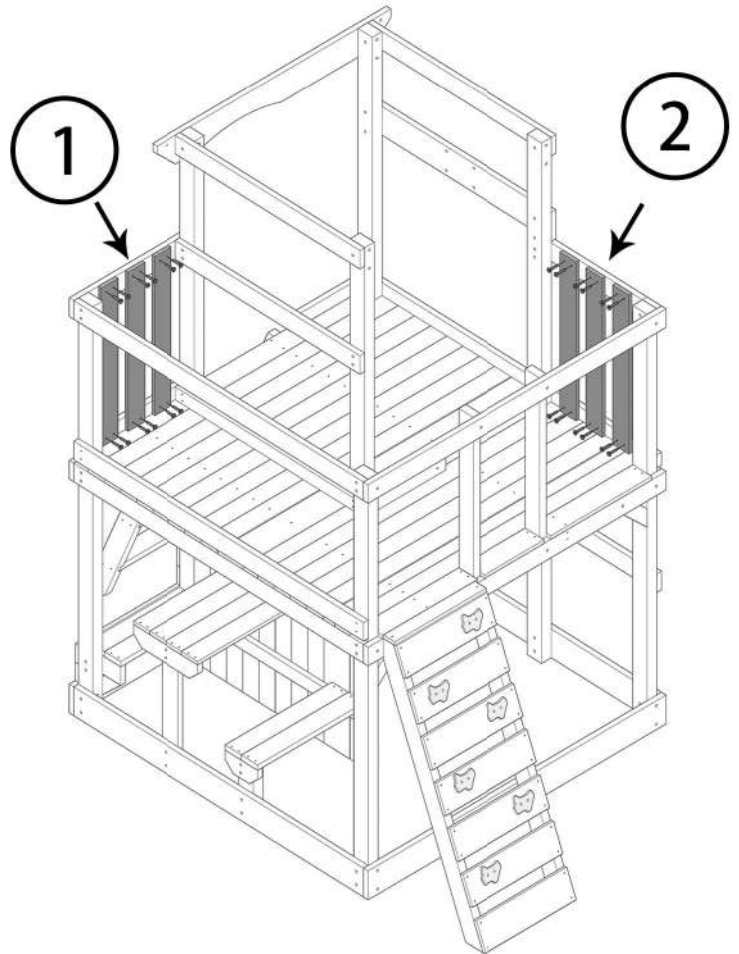
1



2

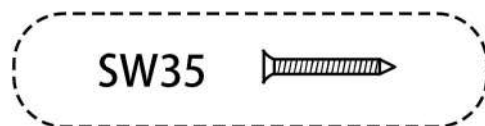
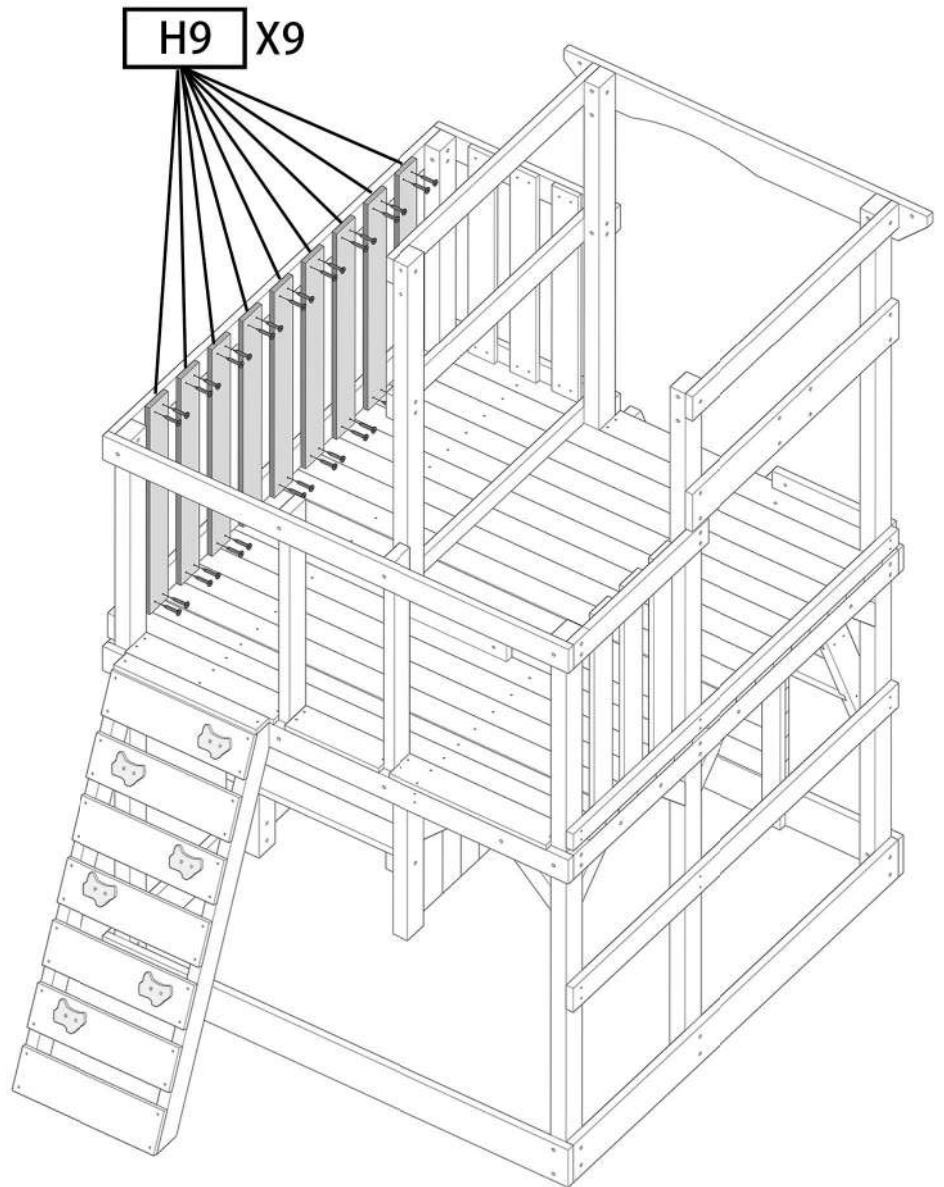
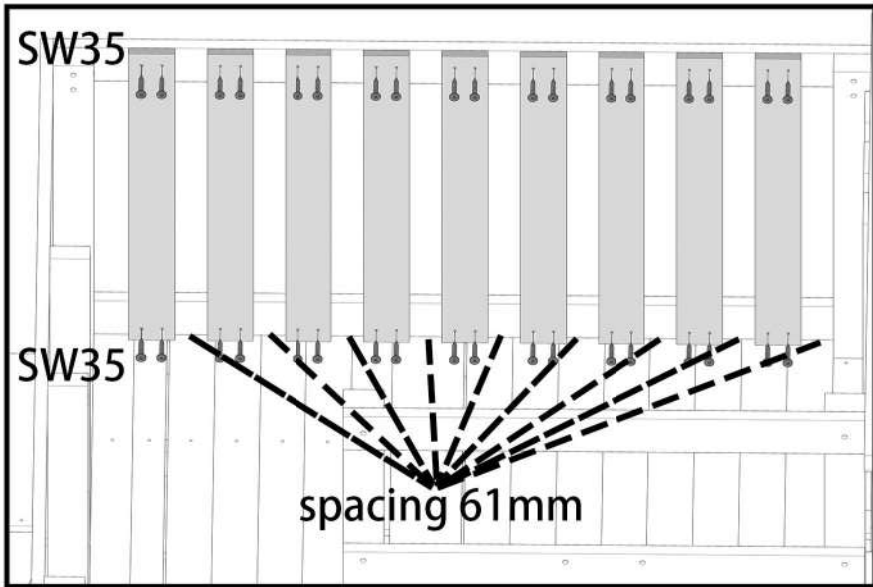


H9 X6



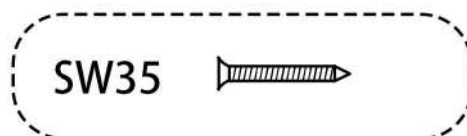
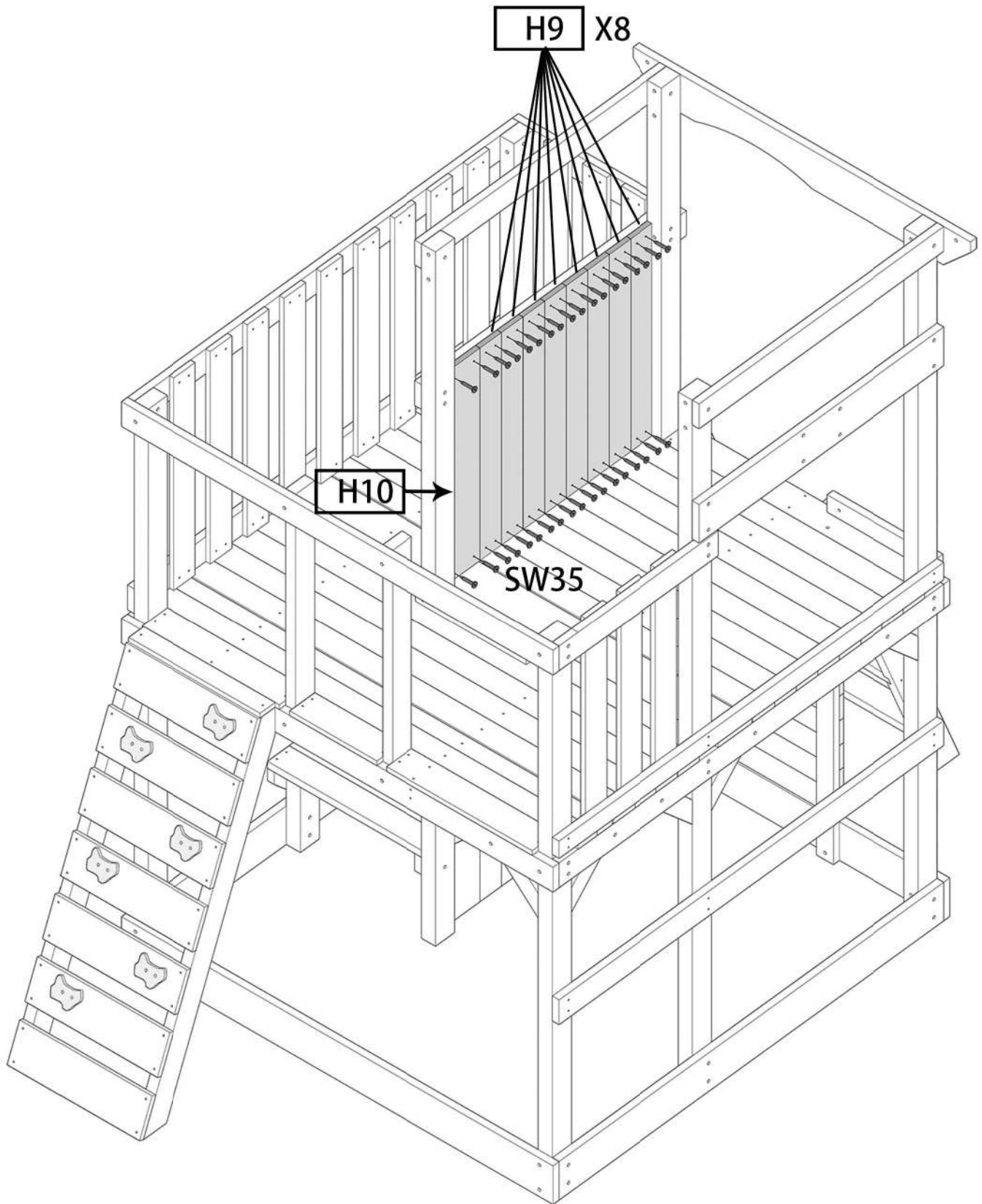
List	
Part NO.	Qty
H9	6
SW35	24

Step31



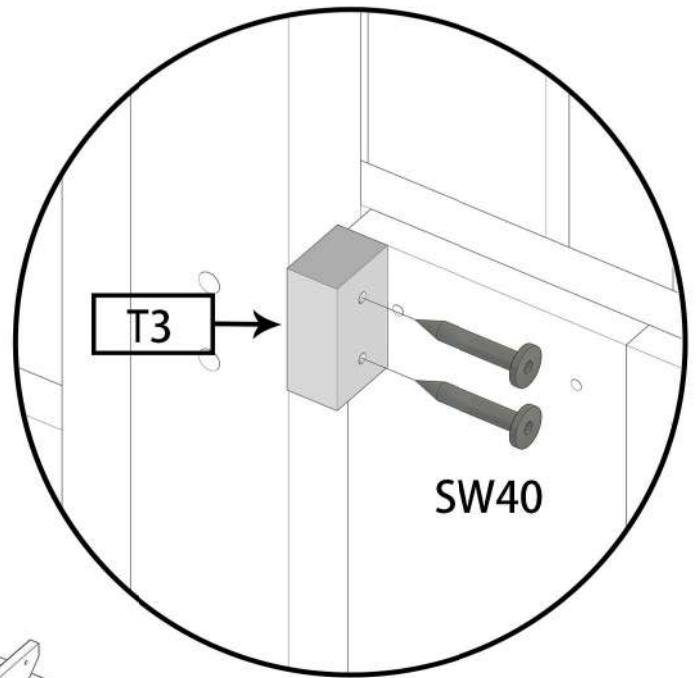
List	
Part NO.	Qty
H9	9
SW35	36

Step32

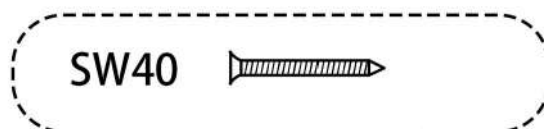
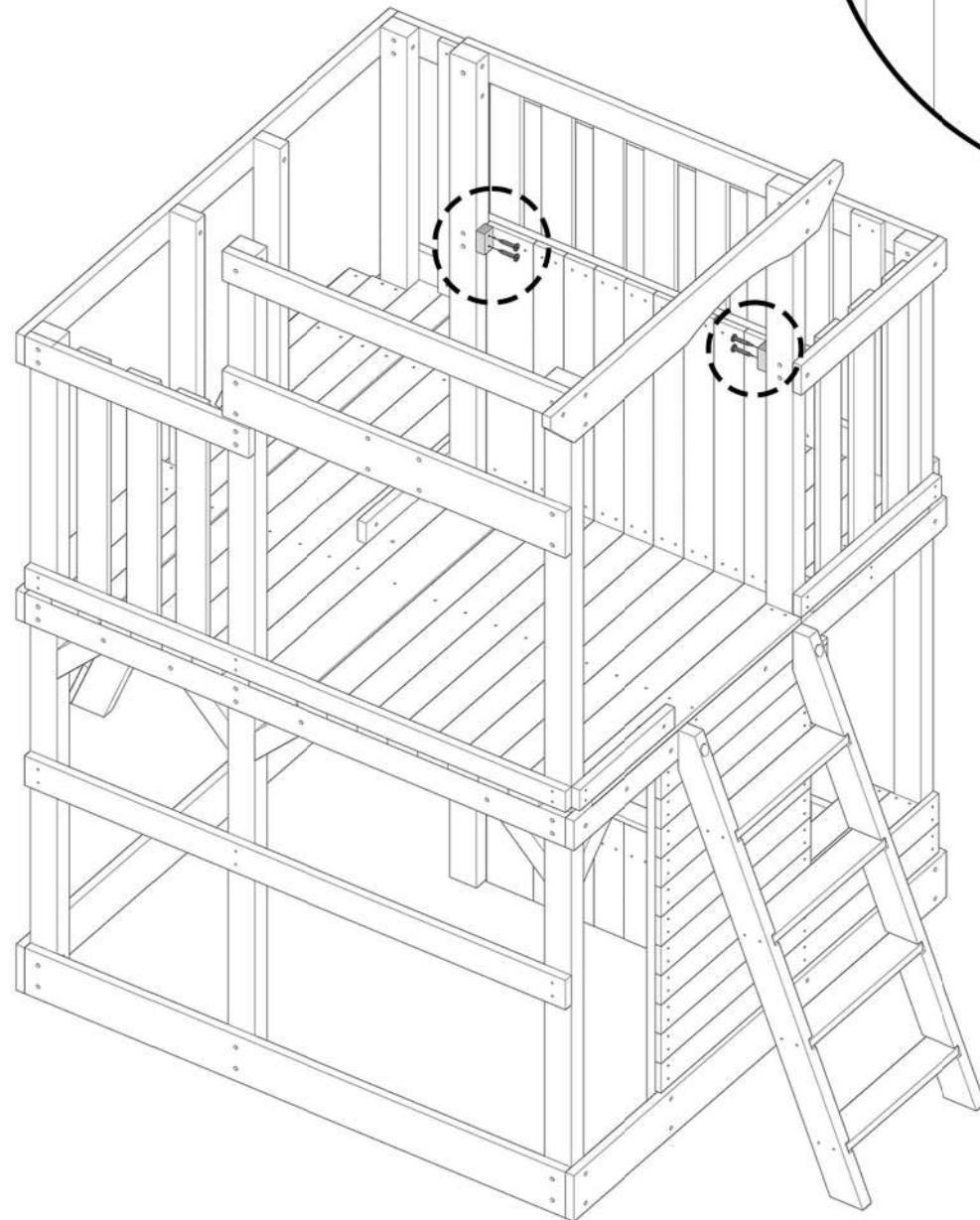


List	
Part NO.	Qty
H9	8
H10	1
SW35	36

Step33

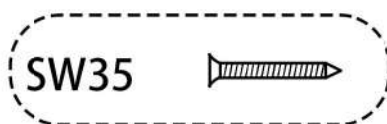
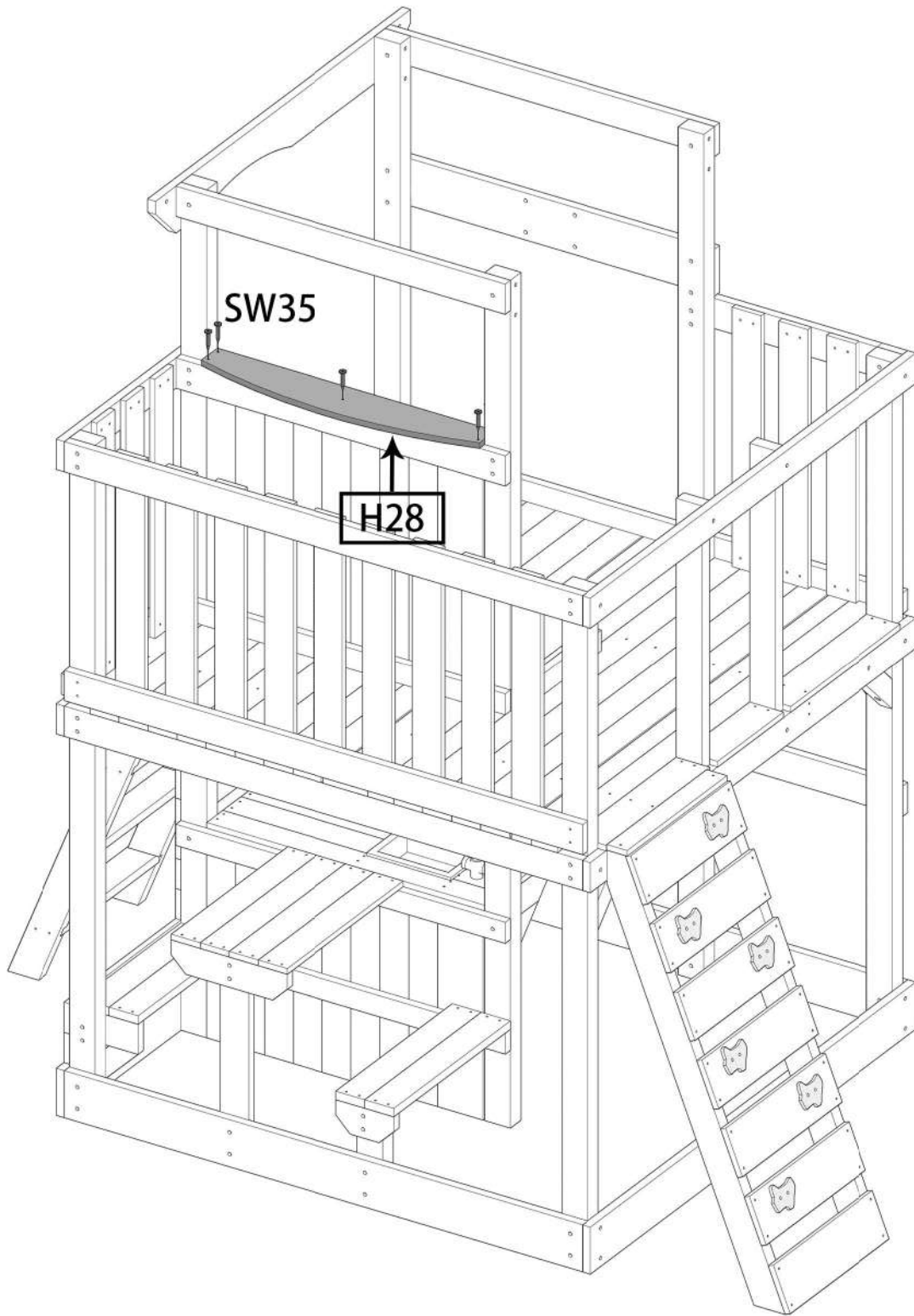


X2



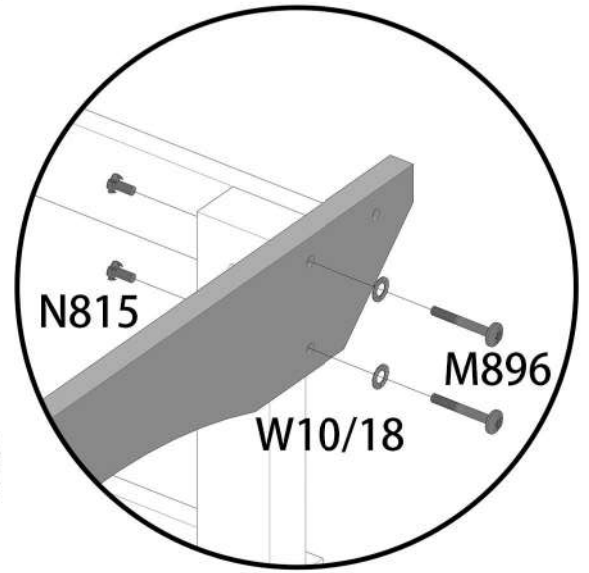
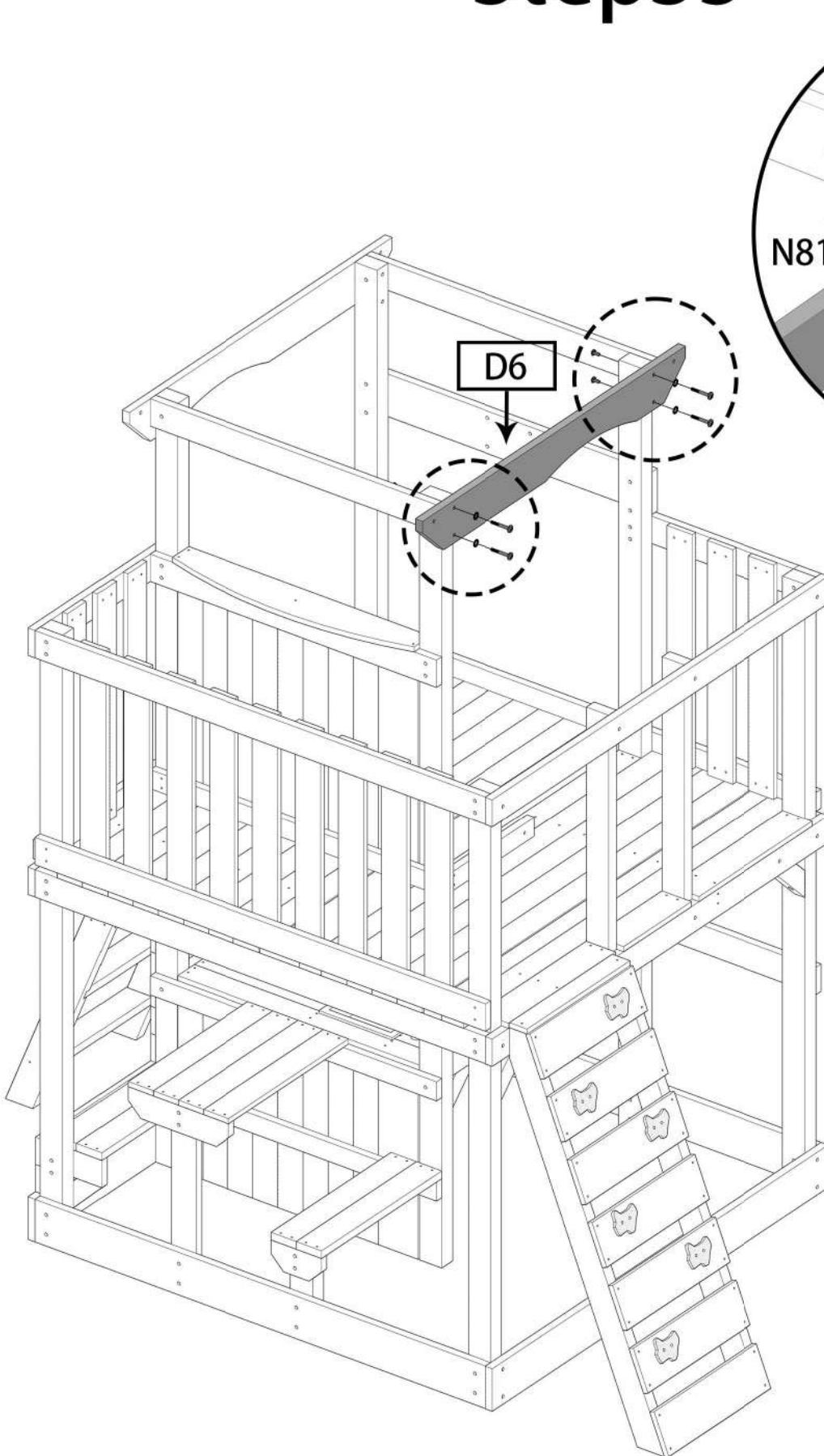
List	
Part NO.	Qty
T3	2
SW40	4

Step34

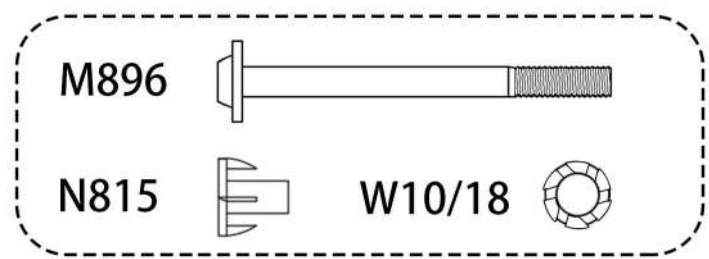


List	
Part NO.	Qty
H28	1
SW35	5

Step35

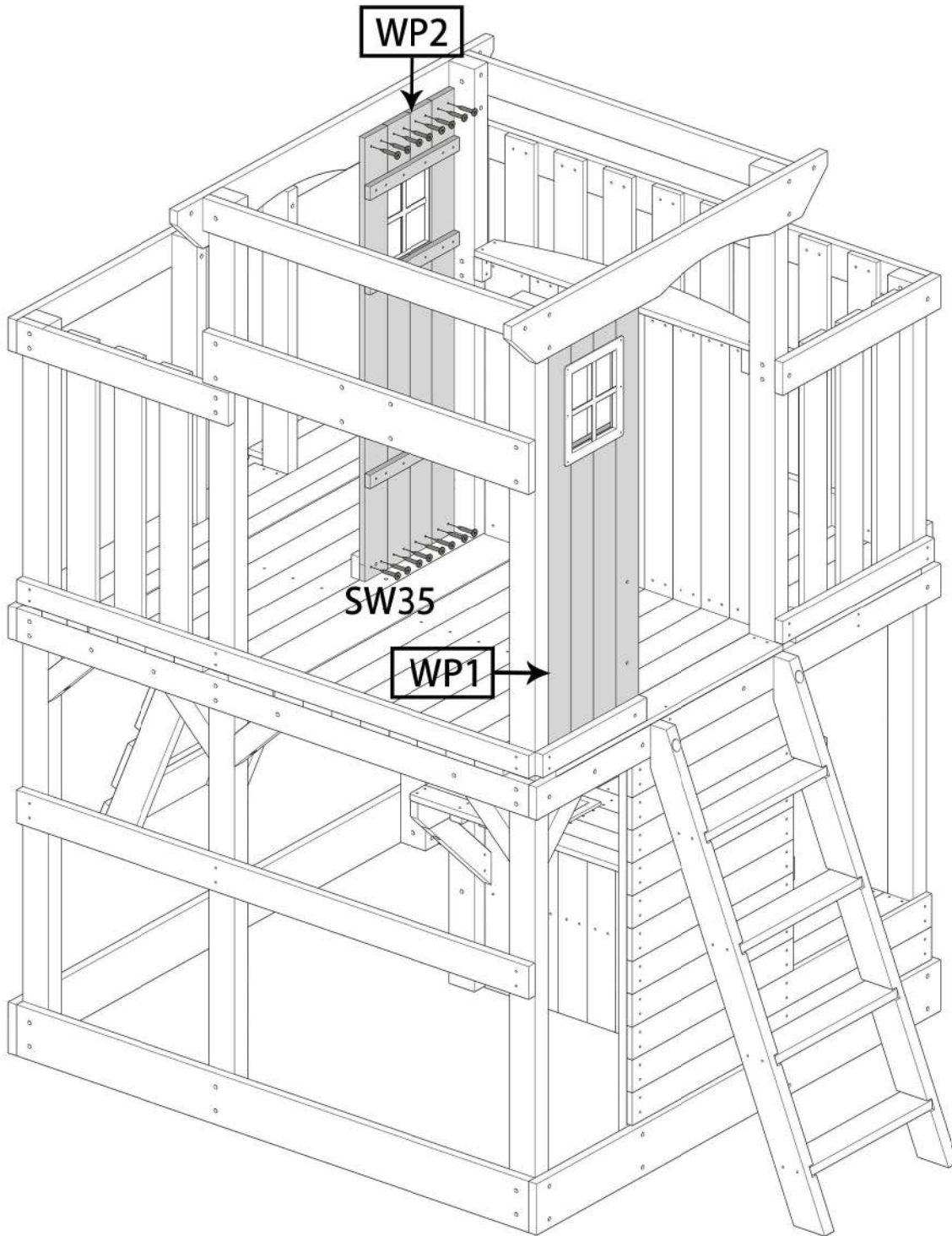


X2



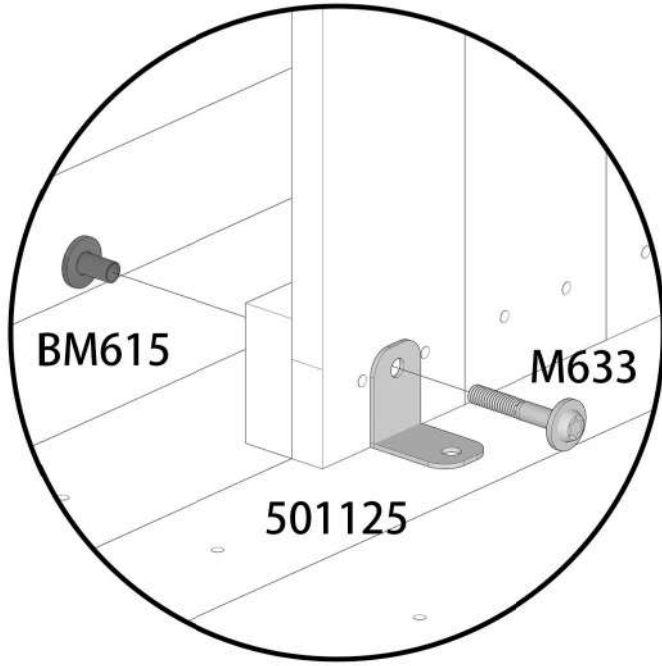
List	
Part NO.	Qty
D6	1
M896	4
N815	4
W10/18	4

Step36

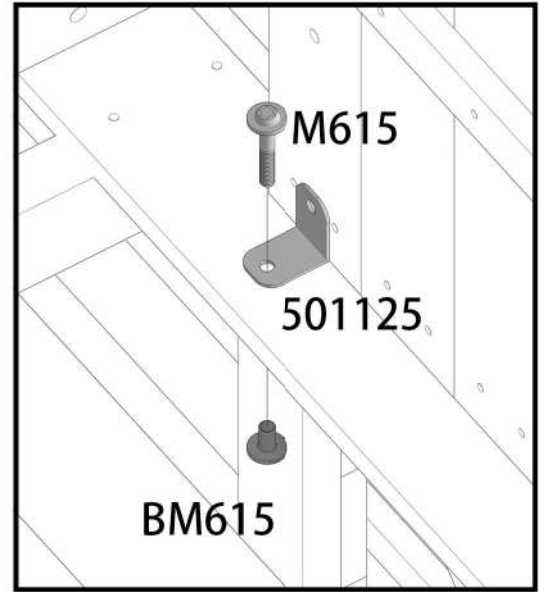


List	
Part NO.	Qty
WP1	1
WP2	1
SW35	32

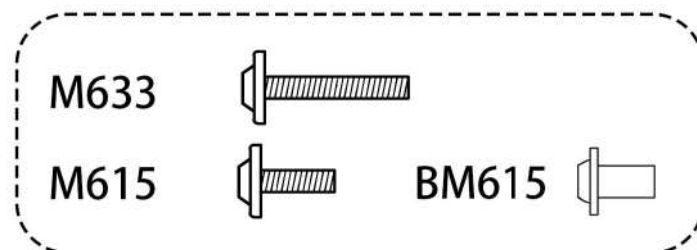
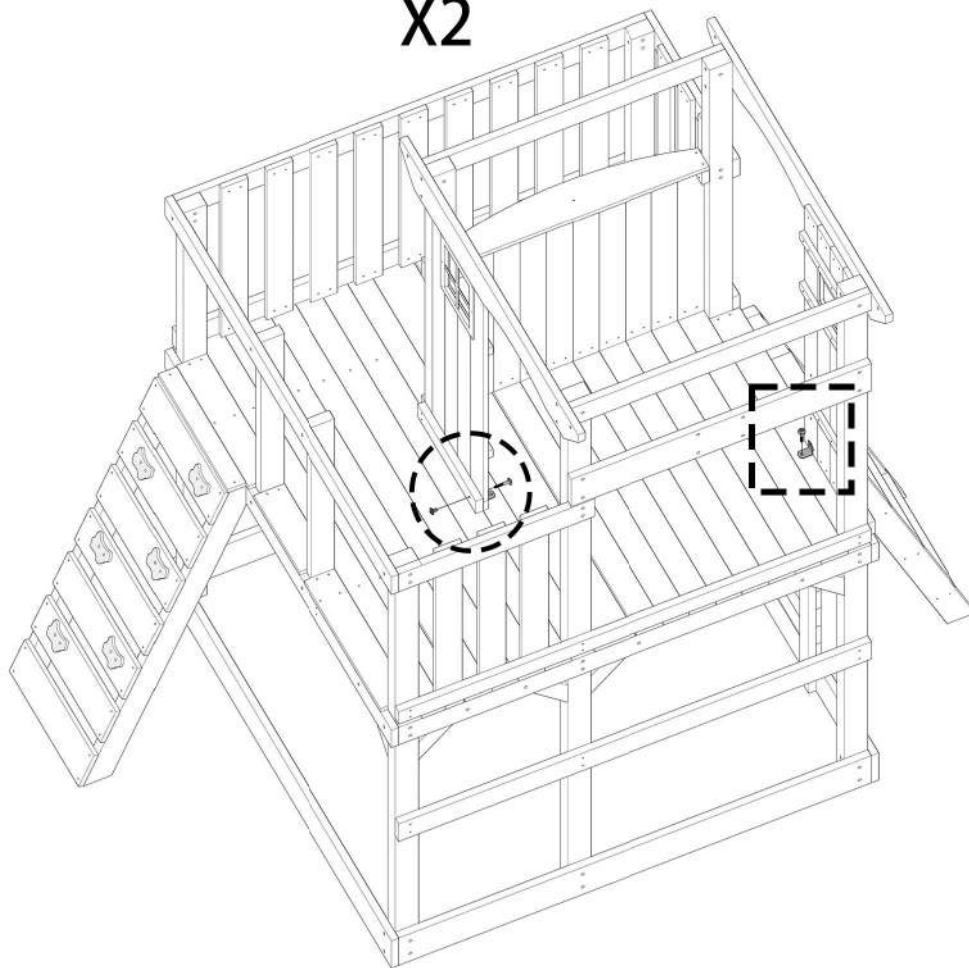
Step37



X2

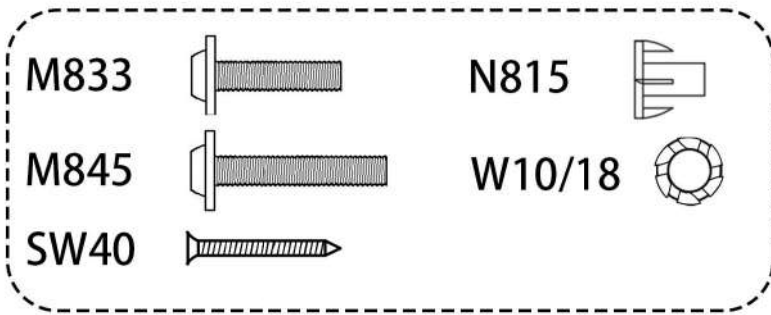
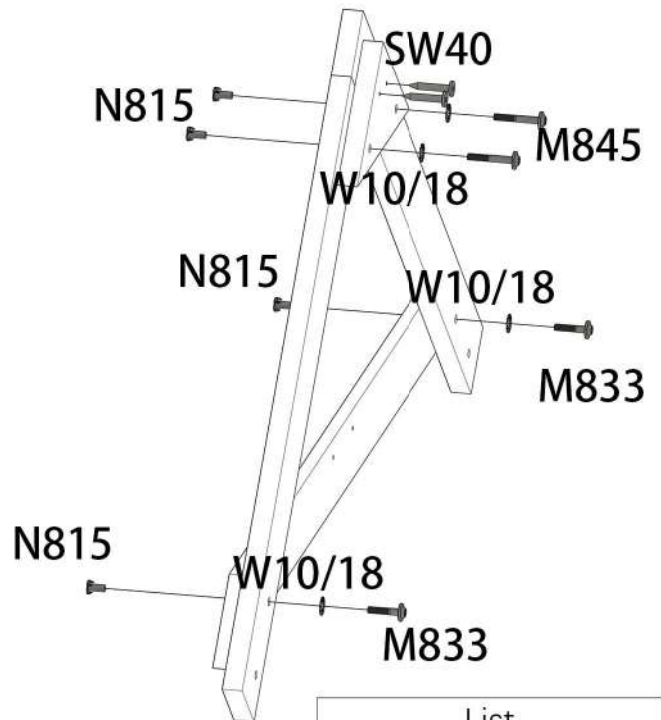
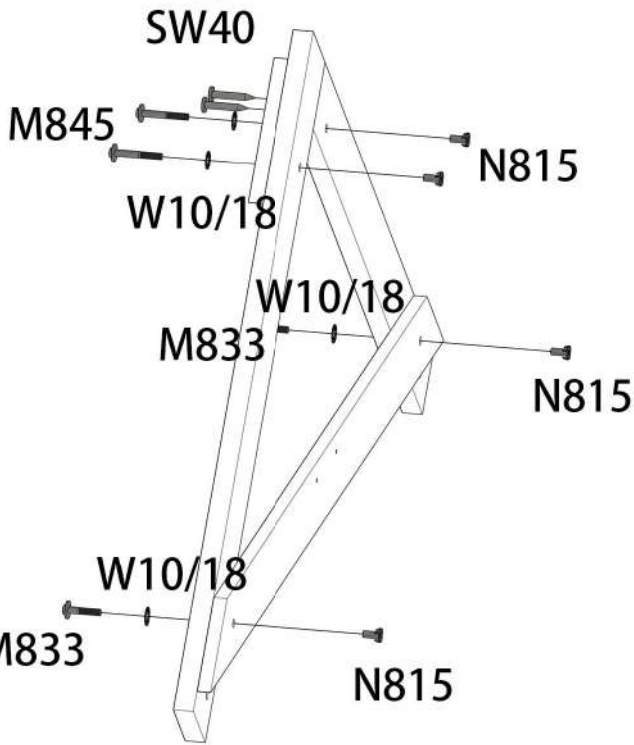
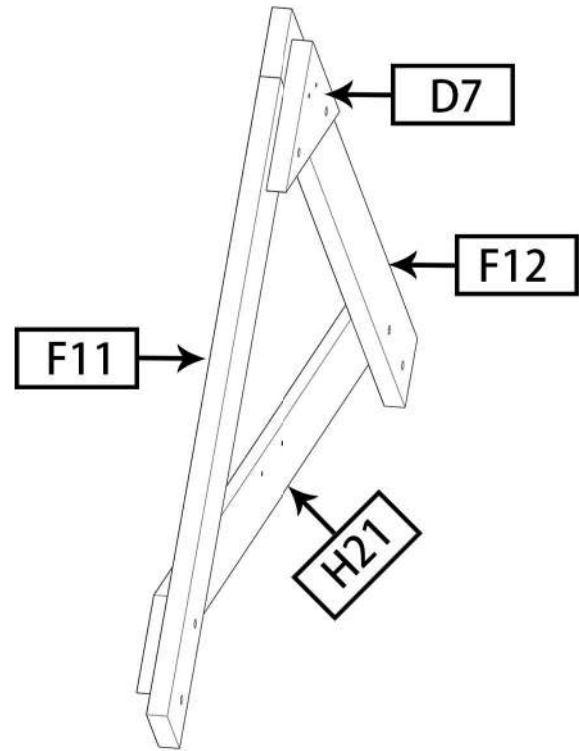
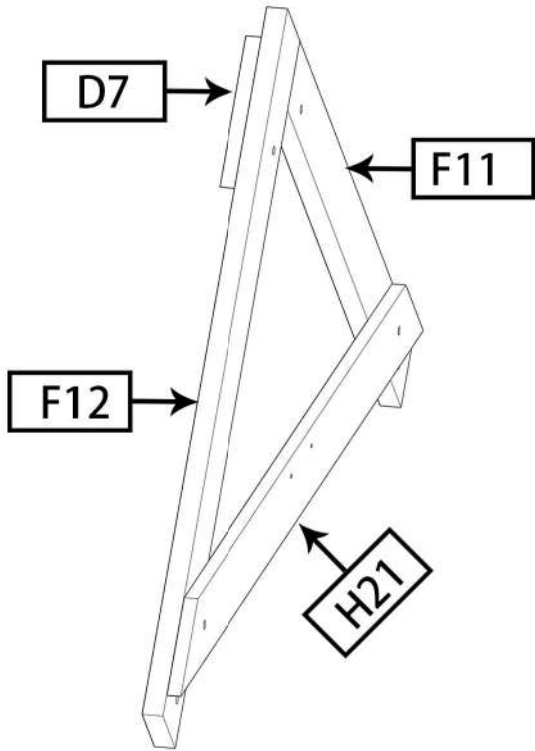


X2



List	
Part NO.	Qty
M615	2
M633	2
BM615	4
501125	2

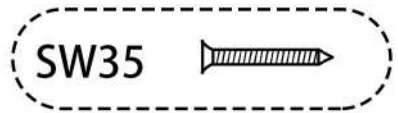
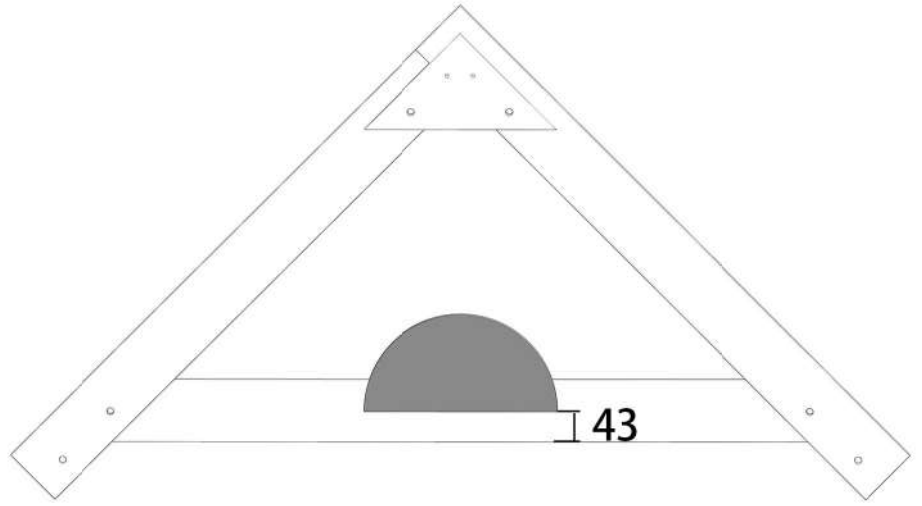
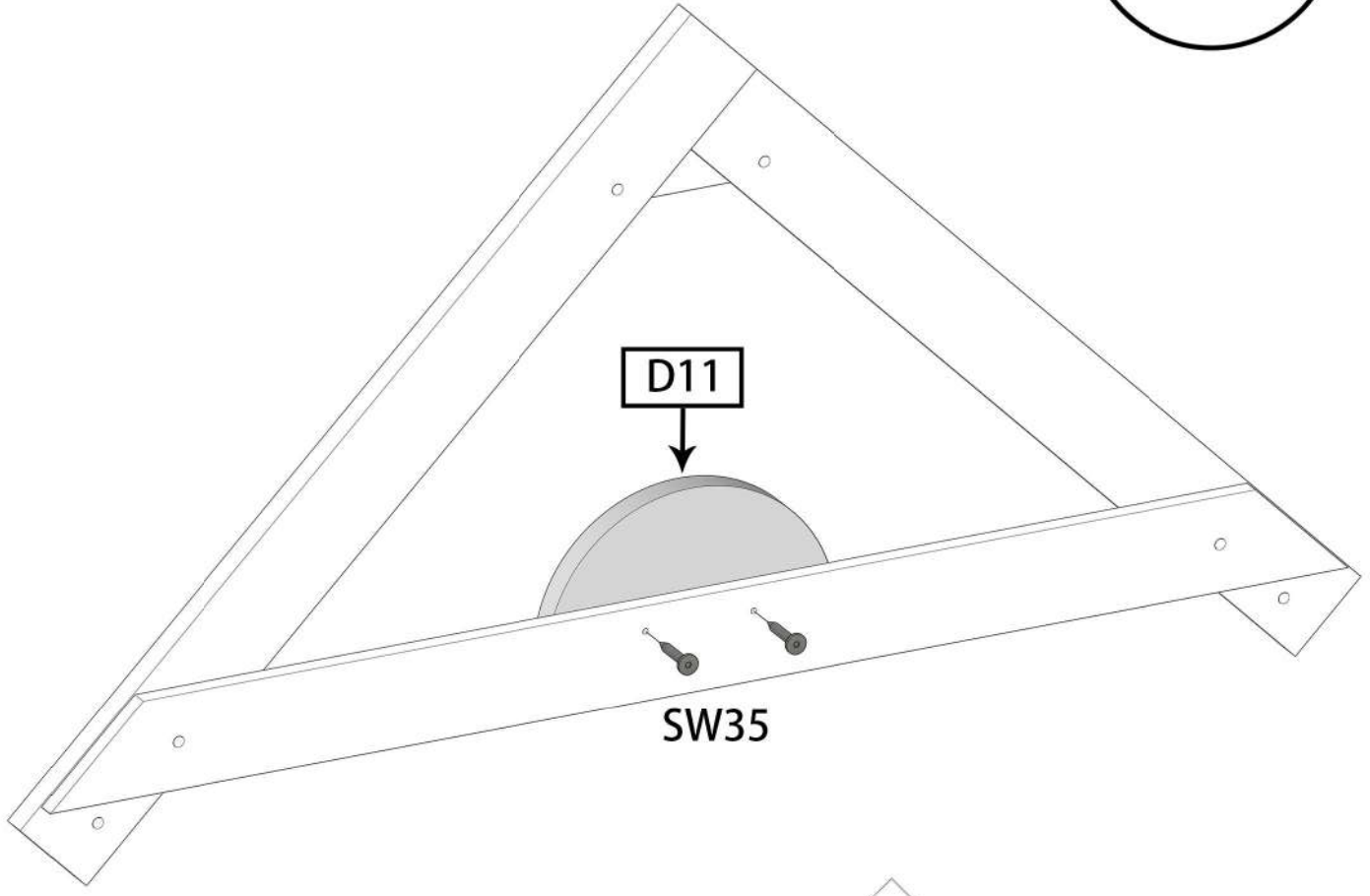
Step38



List	
Part NO.	Qty
D7	2
F11	2
F12	2
H21	2
M833	4
SW40	4
M845	4
N815	8
W10/18	8

Step39

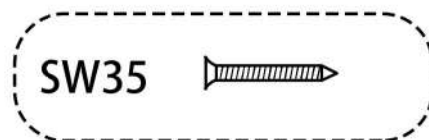
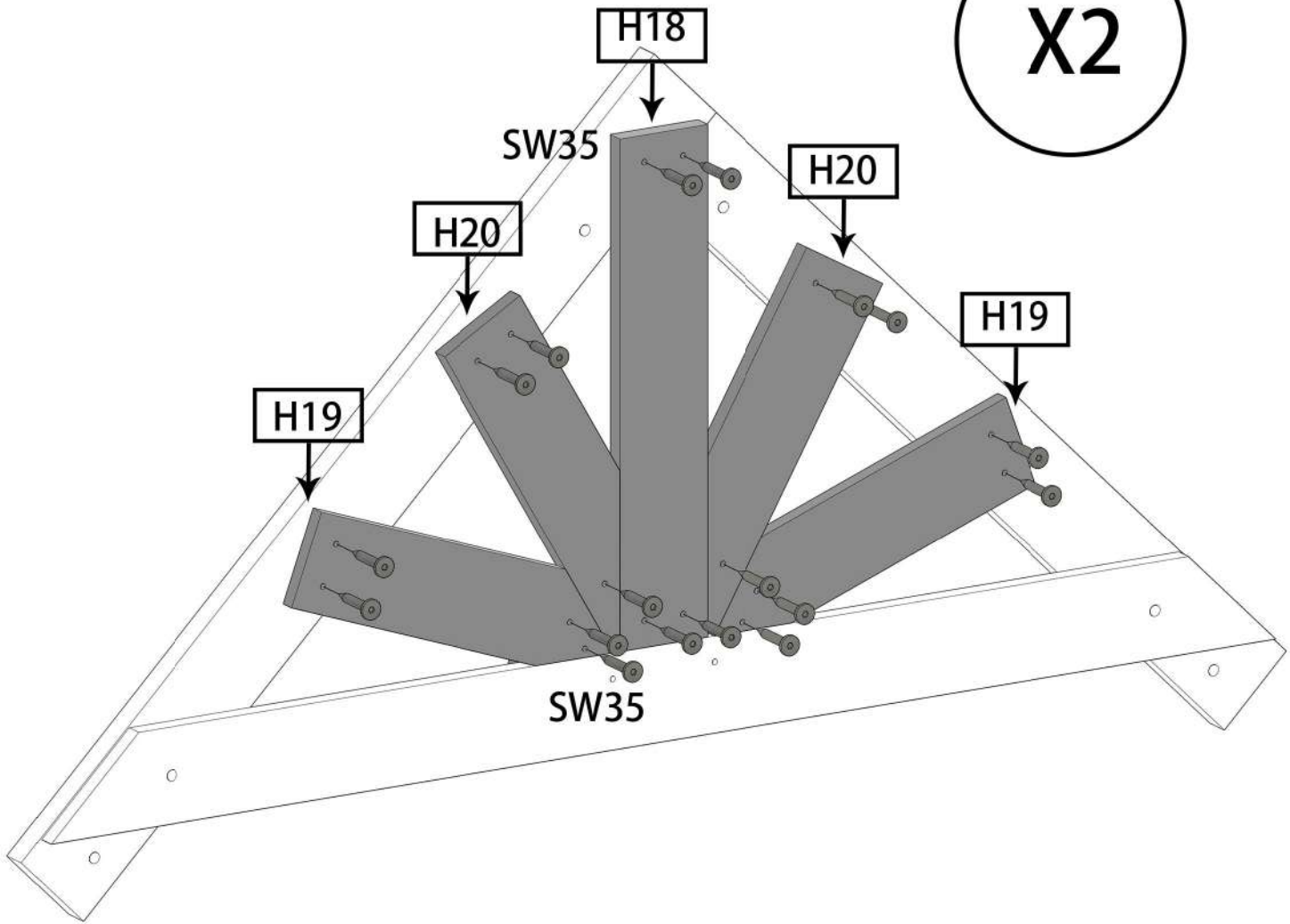
X2



List	
Part NO.	Qty
D11	2
SW35	4

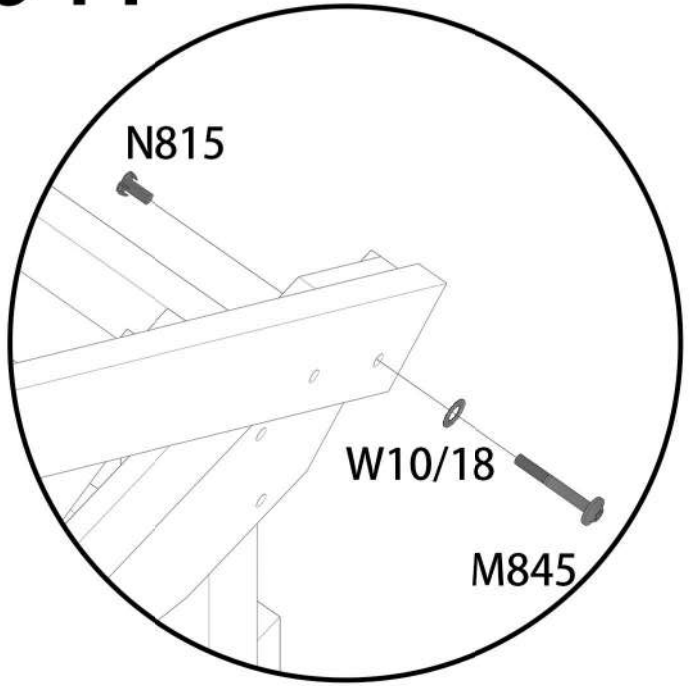
Step40

X2

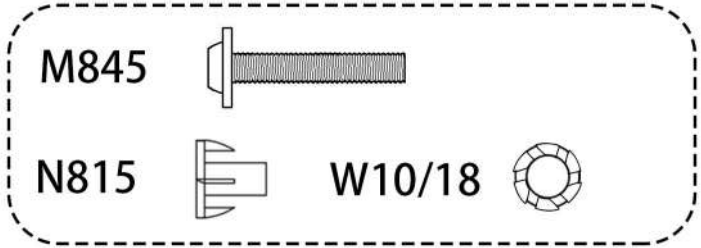
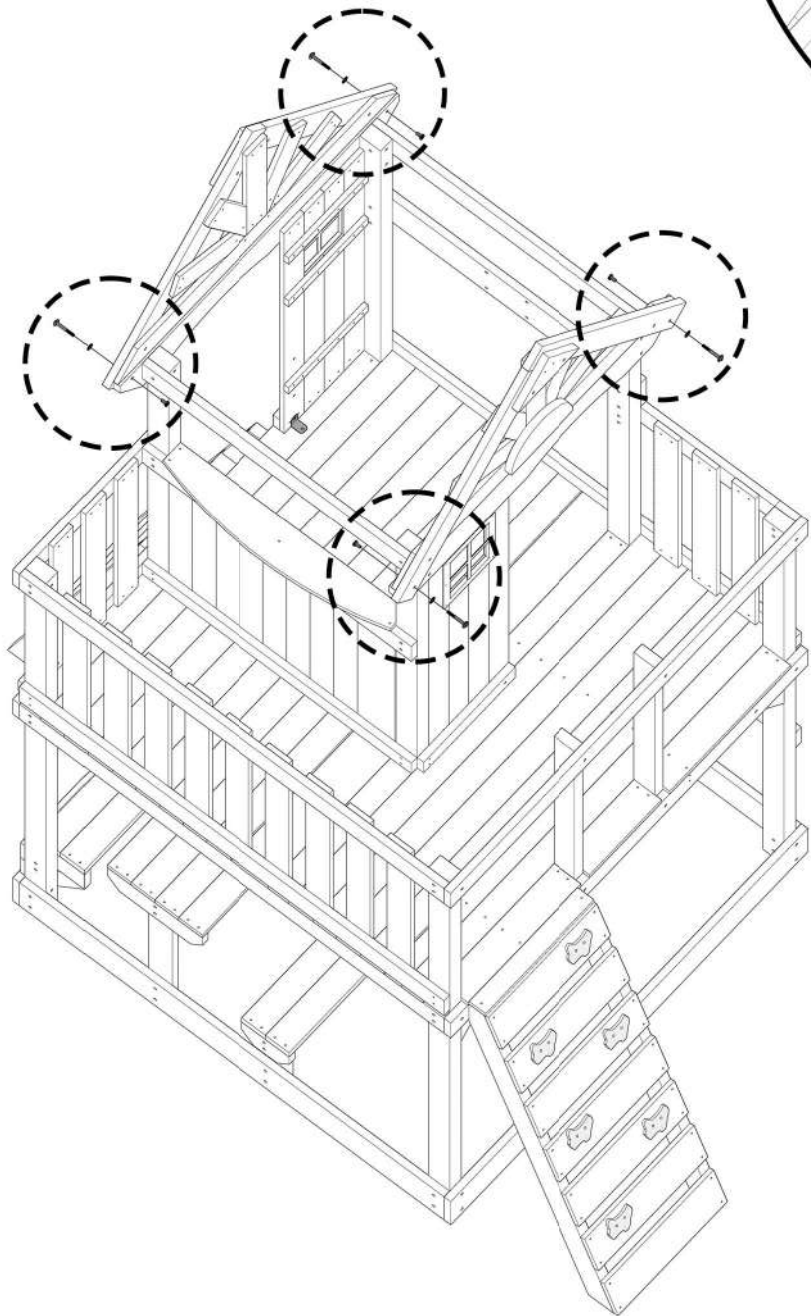


List	
Part NO.	Qty
H18	2
H19	4
H20	4
SW35	36

Step41

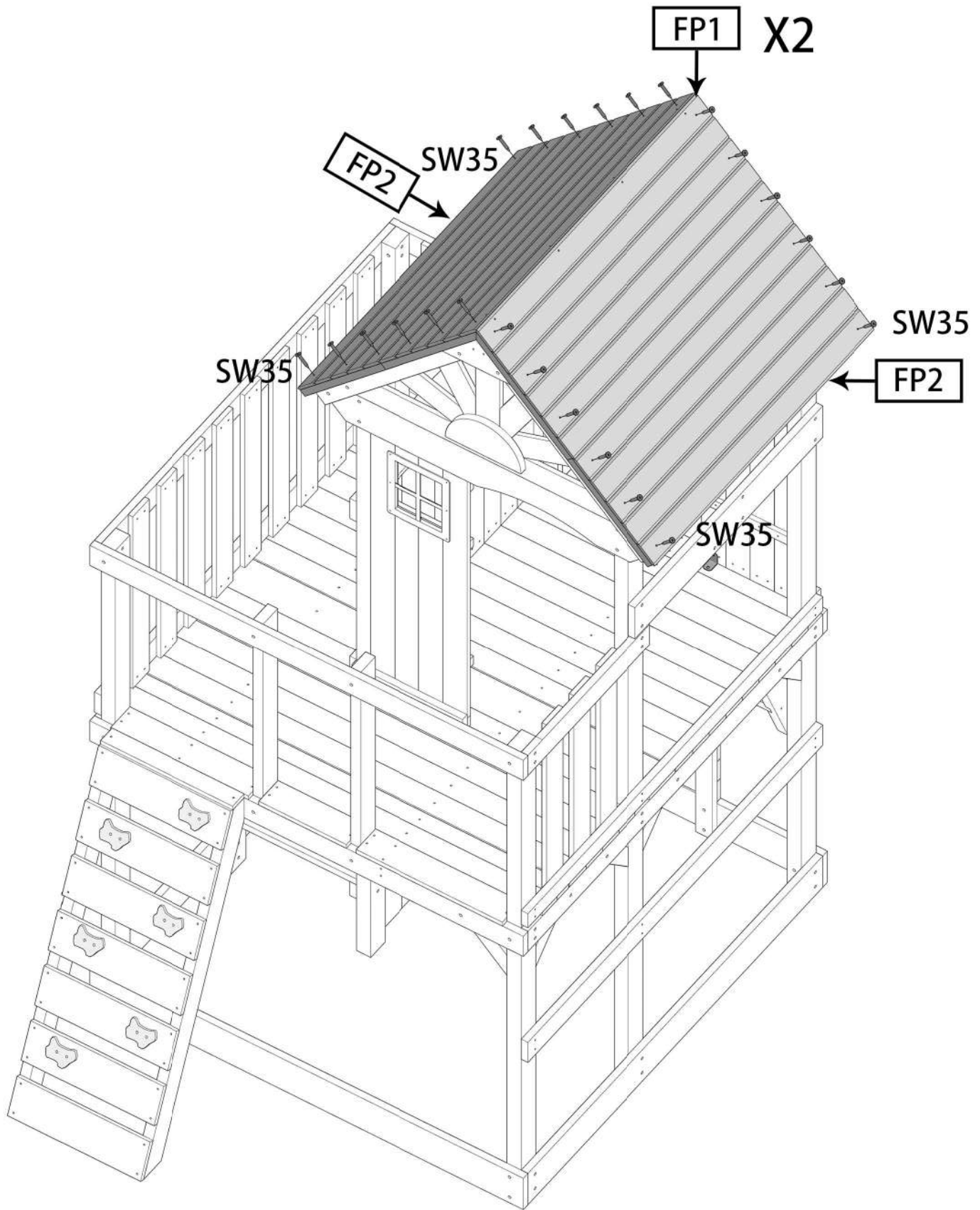


X4



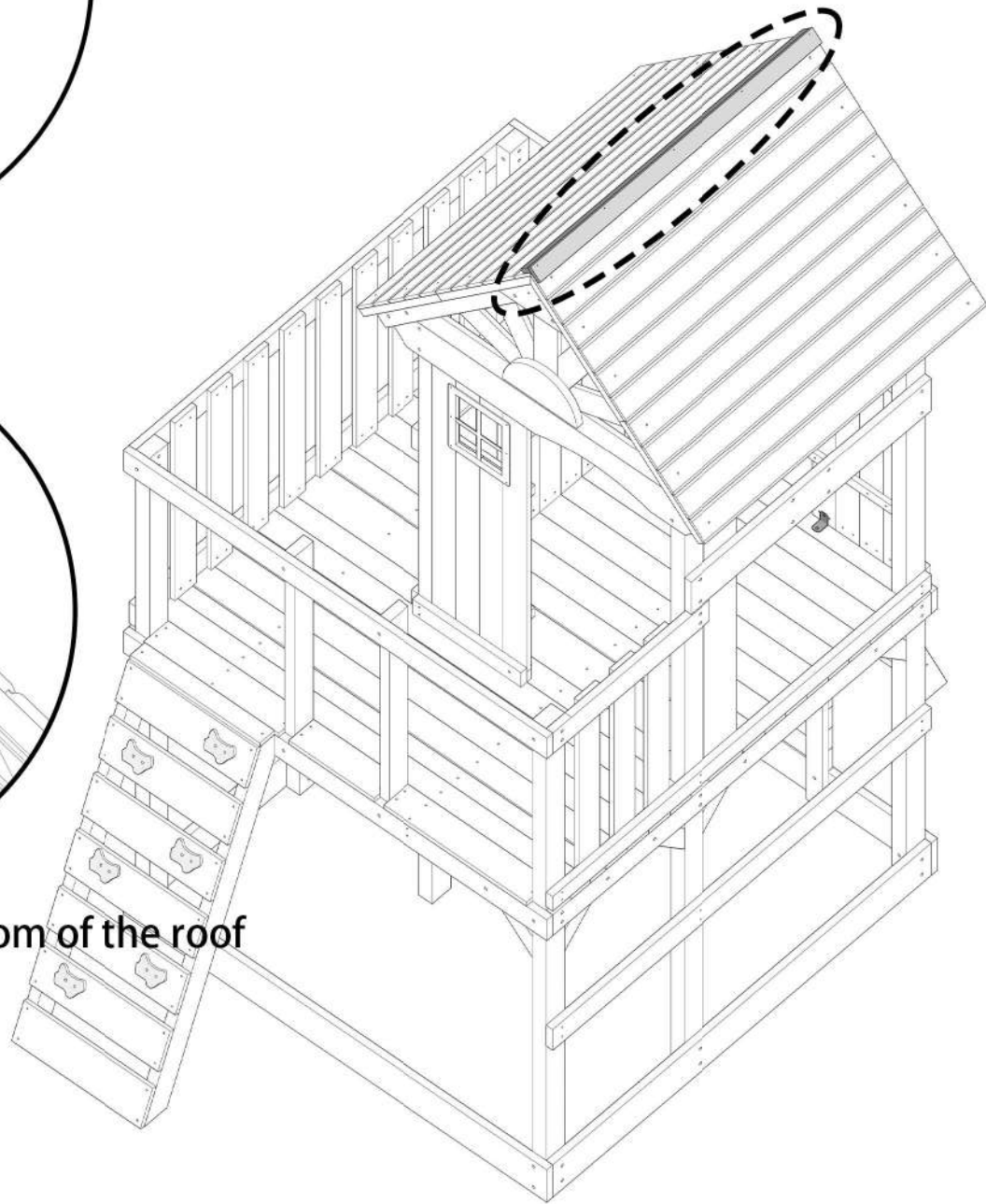
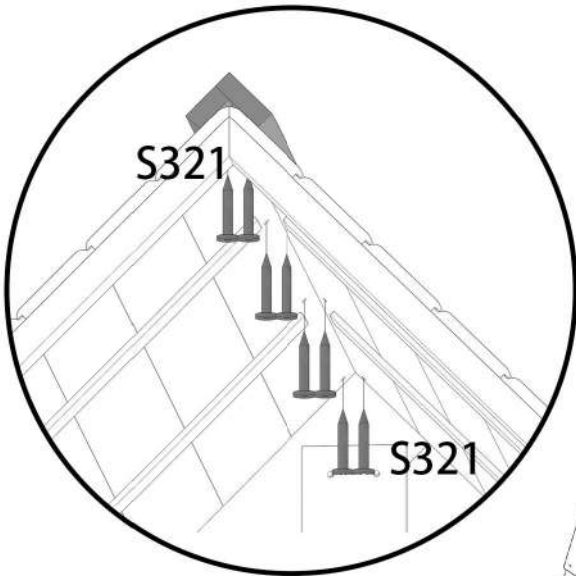
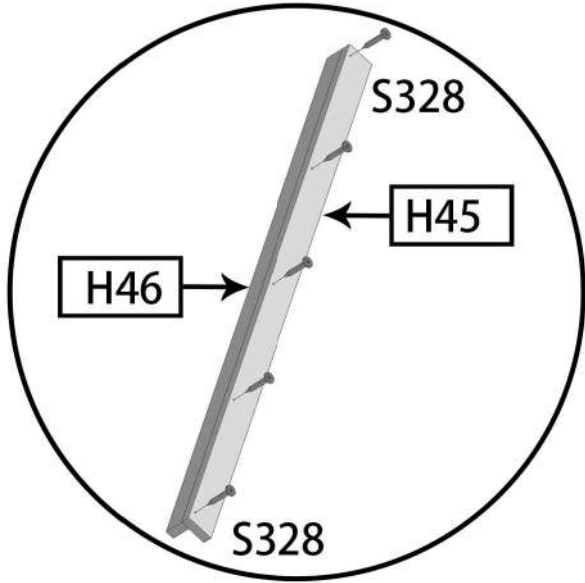
List	
Part NO.	Qty
M845	4
N815	4
W10/18	4

Step42

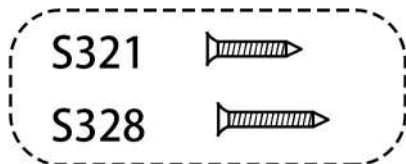


List	
Part NO.	Qty
FP1	2
FP2	2
SW35	24

Step43

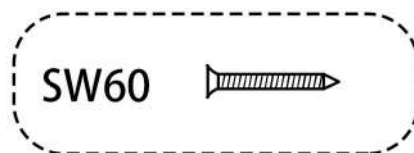
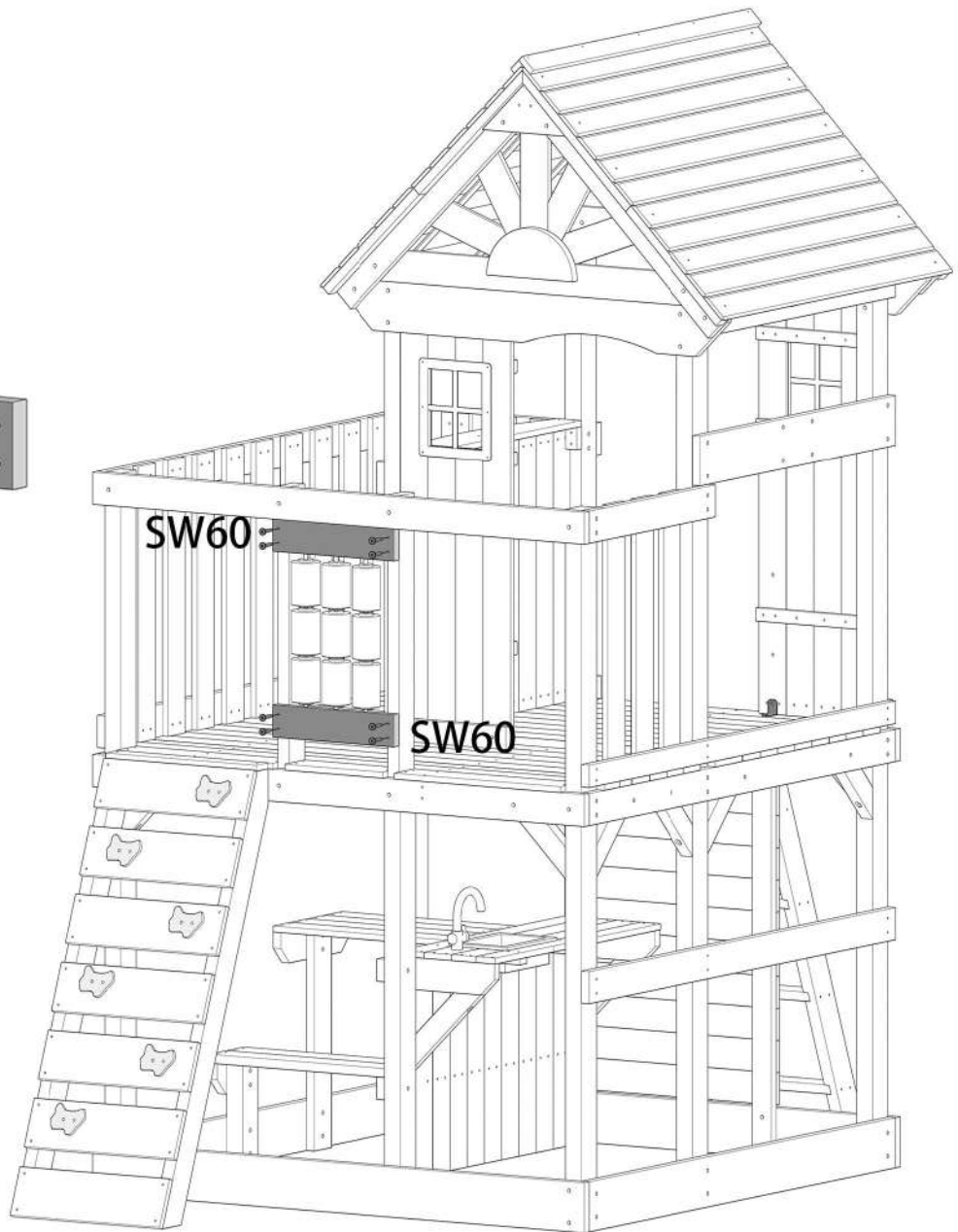
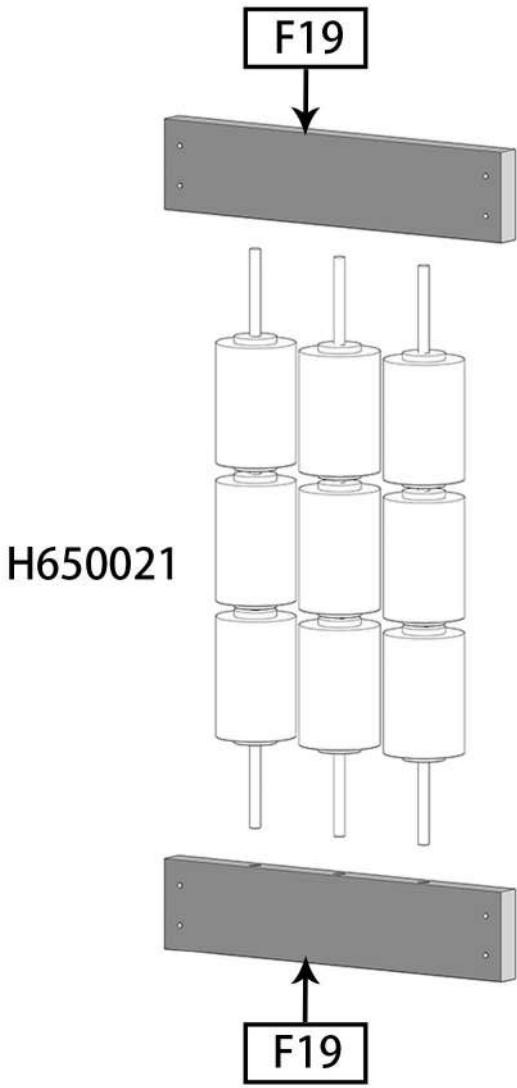


Screws lock from the bottom of the roof



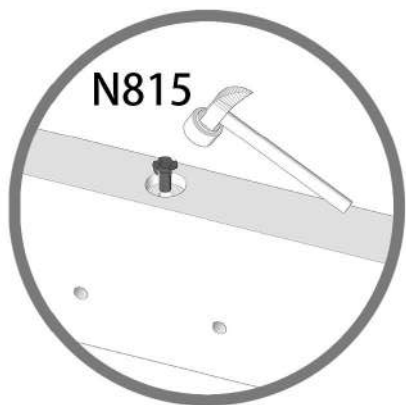
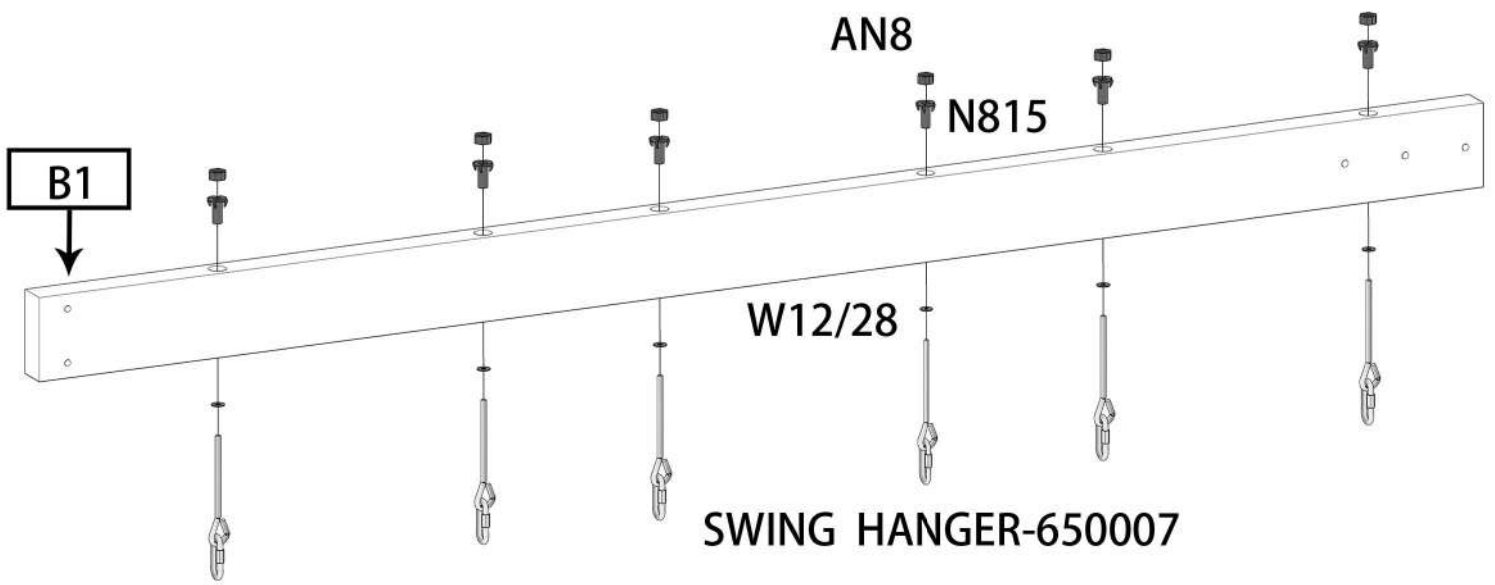
List	
Part NO.	Qty
H45	1
H46	1
S321	8
S328	5

Step44

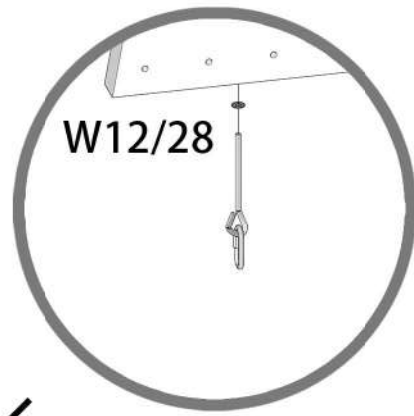


List	
Part NO.	Qty
F19	2
H650021	1
SW60	8

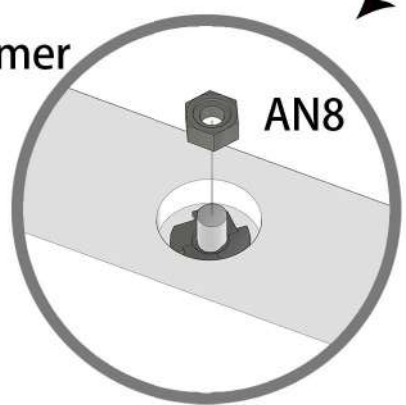
Step45



Insert the N815 into the beam by hammer



Insert the swing hanger into the beam and fix them with nuts N815 as tightly as possible

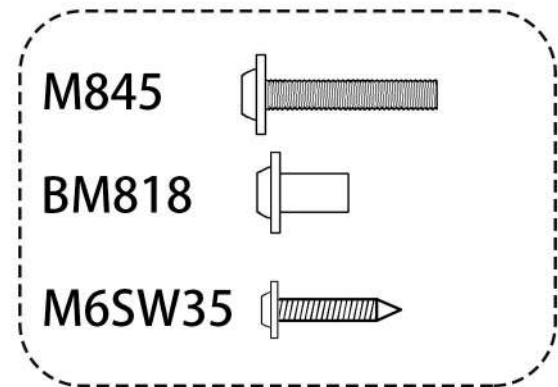
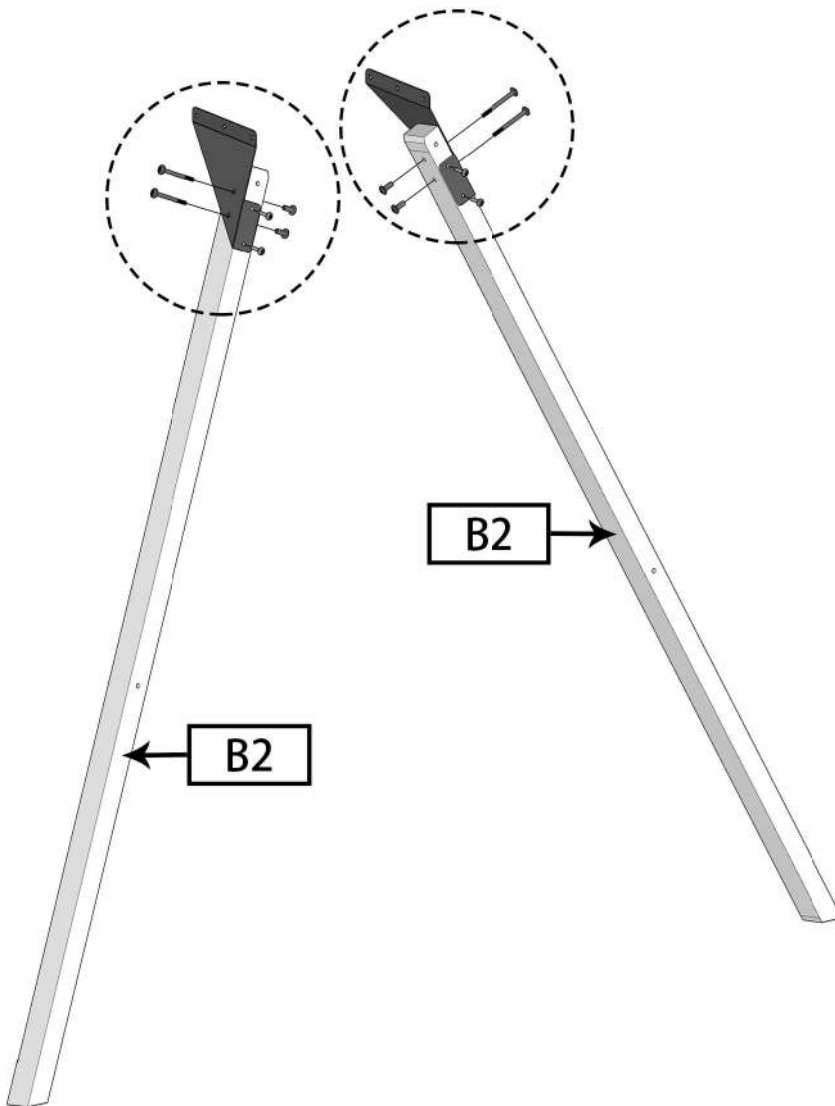
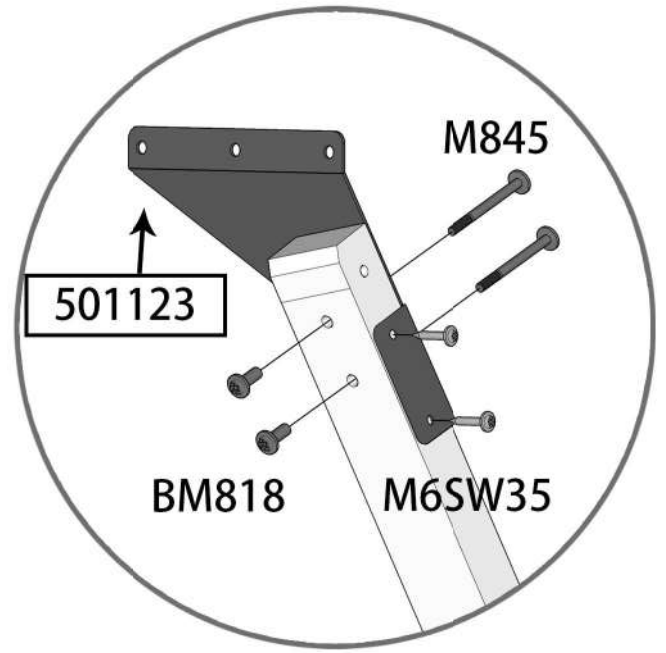
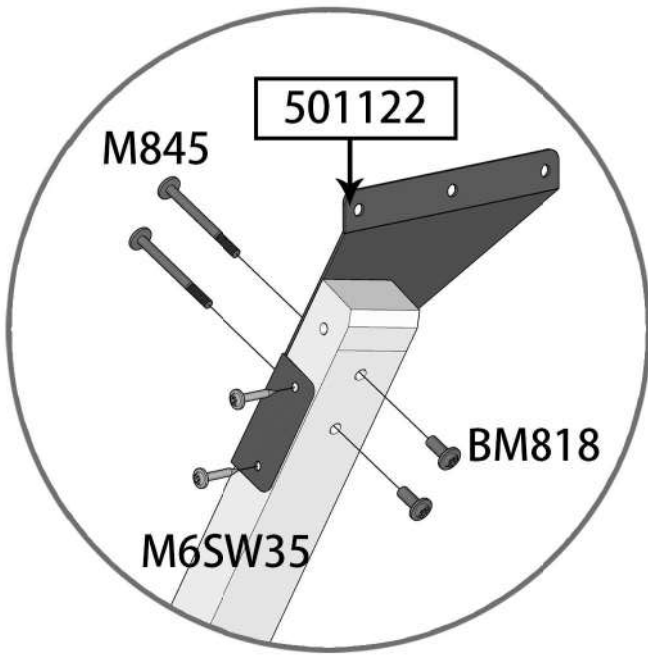


Fix the AN8 as tightly as possible



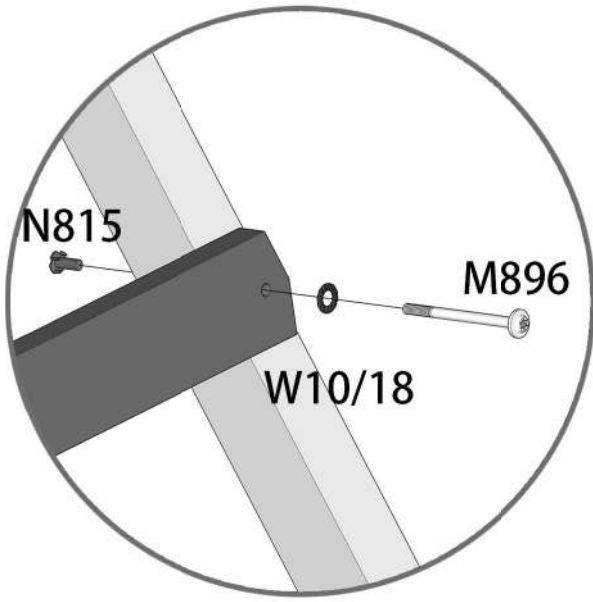
List	
Part NO.	Qty
B1	1
650007	6
N815	6
AN8	6
W12/28	6

Step46

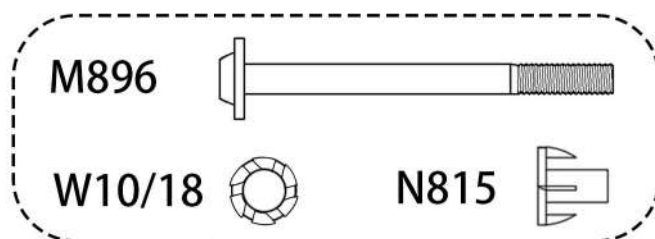
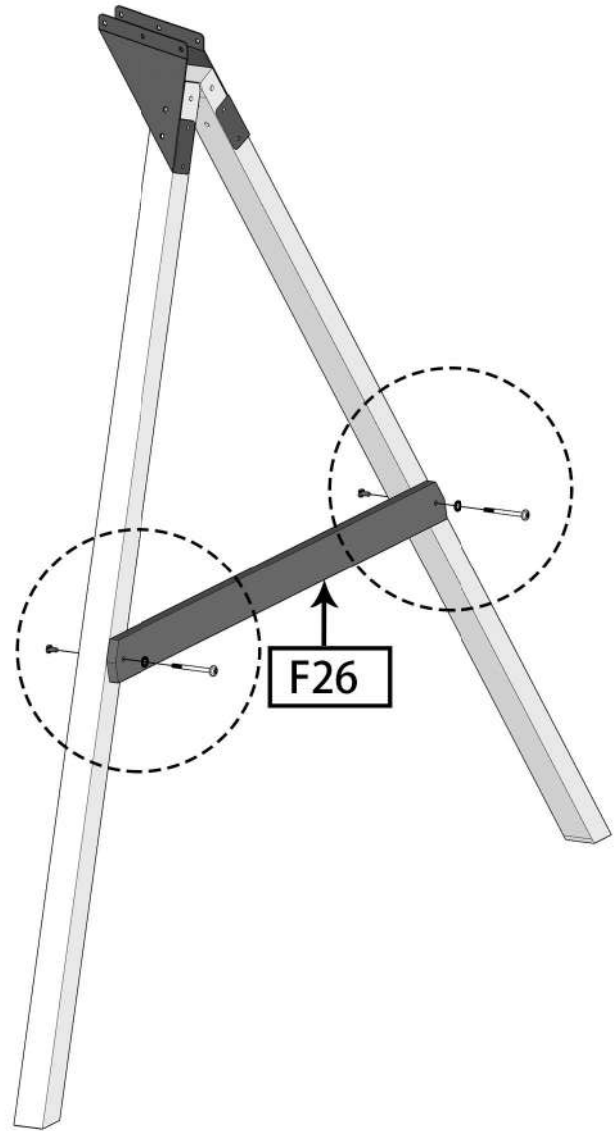


List	
Part NO.	Qty
B2	2
M845	4
BM818	4
M6SW35	4
501122	1
501123	1

Step47

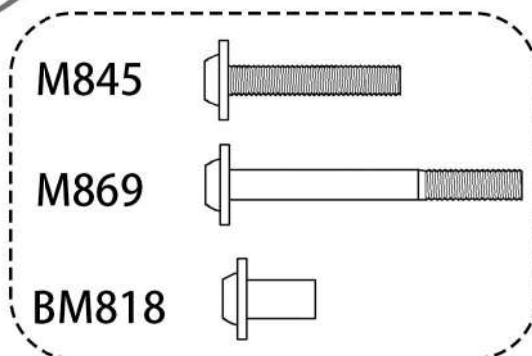
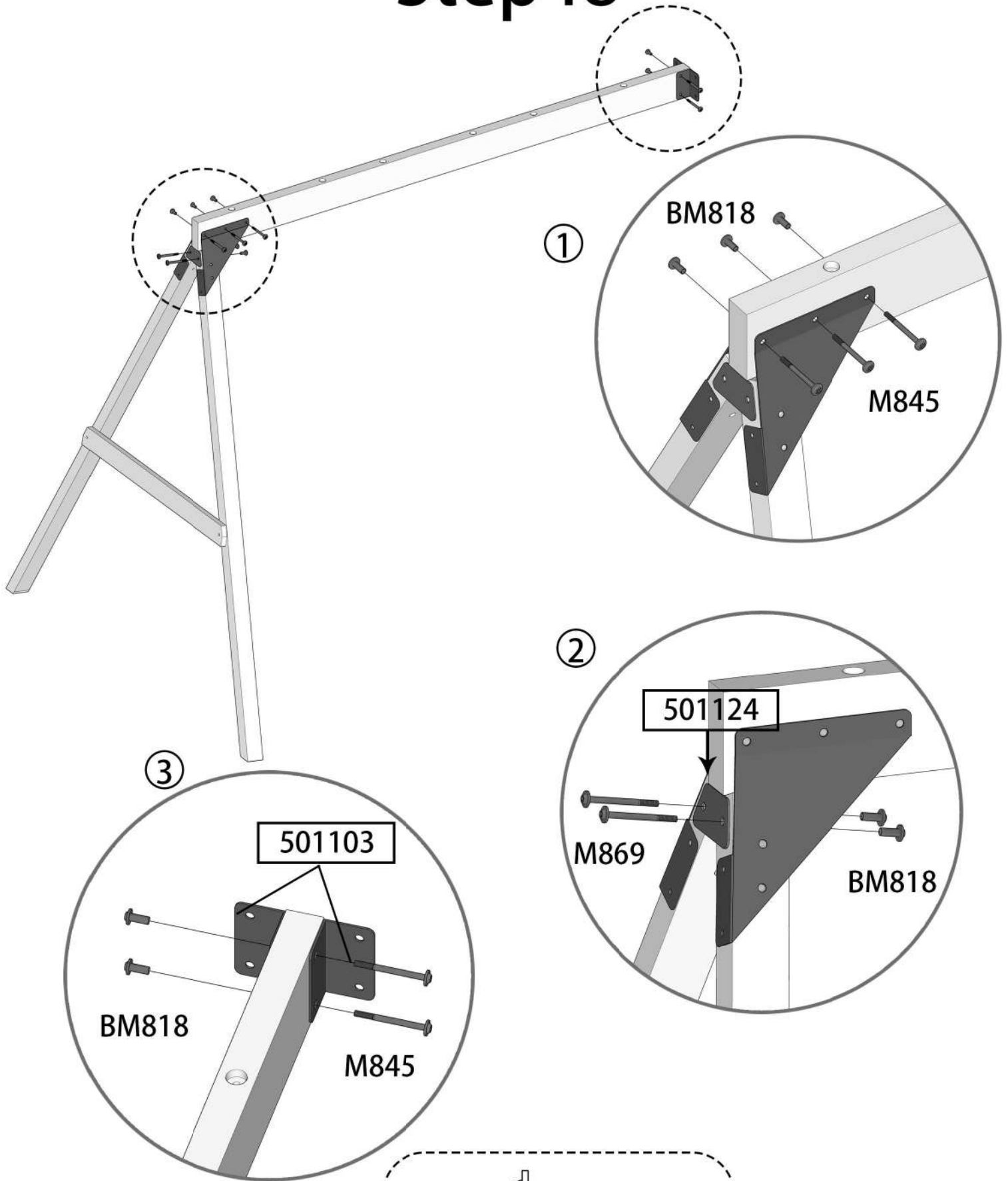


X2



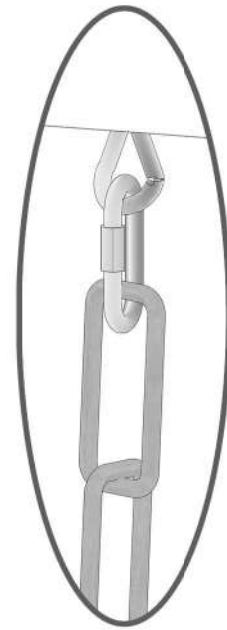
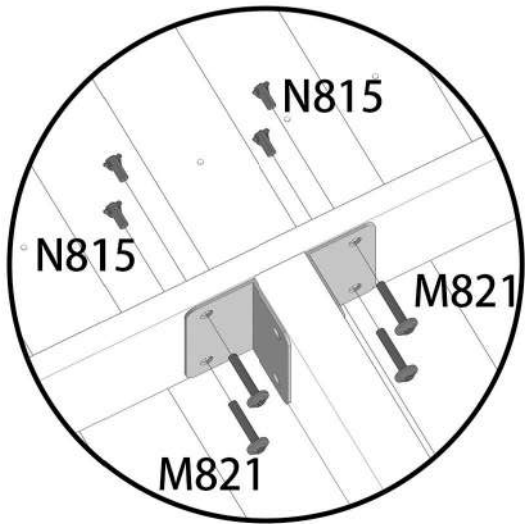
List	
Part NO.	Qty
F26	1
M896	2
N815	2
W10/18	2

Step48

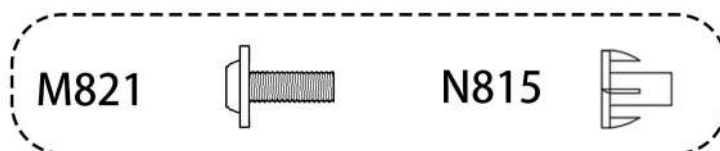
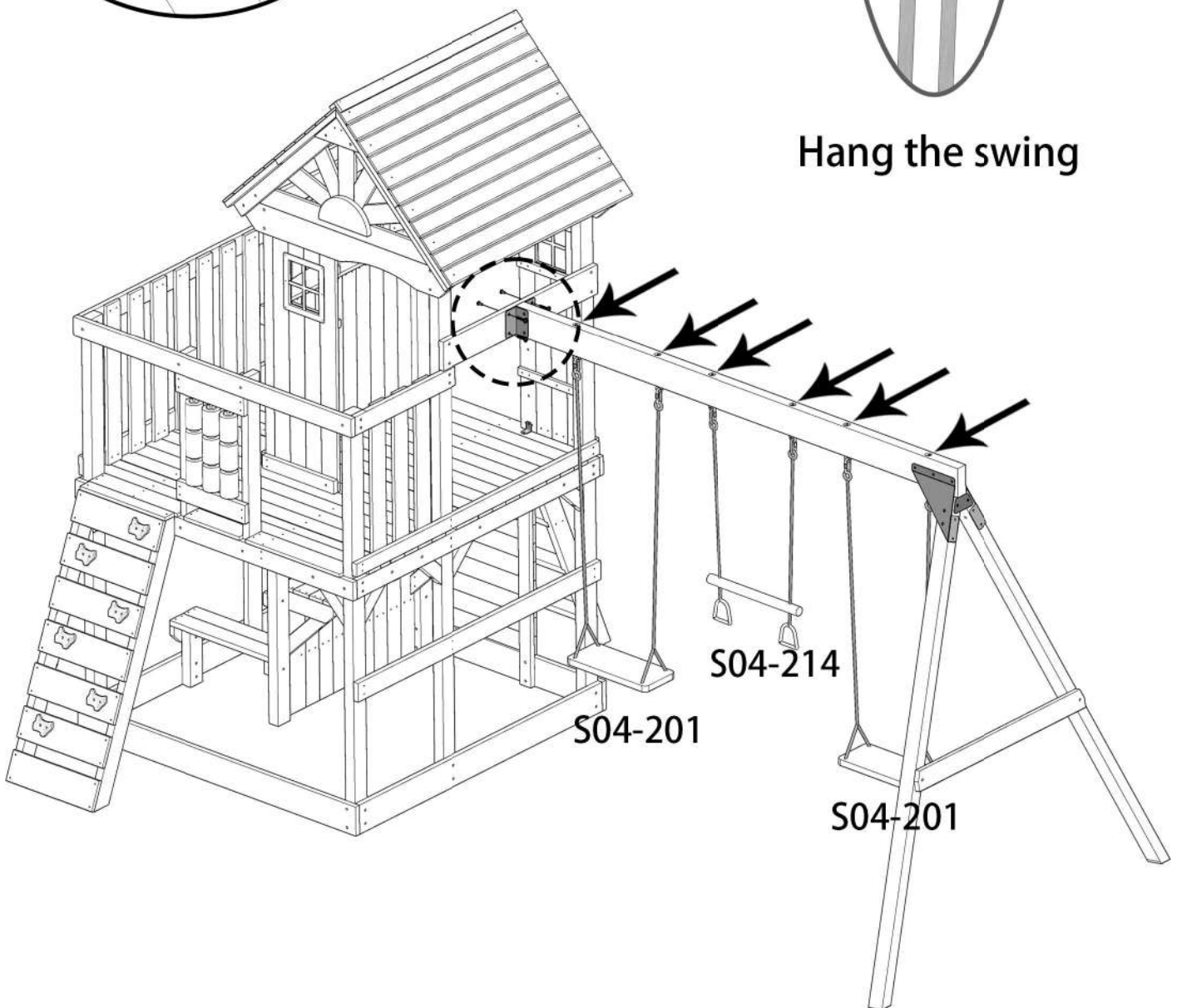


List	
Part NO.	Qty
M845	5
M869	2
BM818	7
501124	1
501103	2

Step49

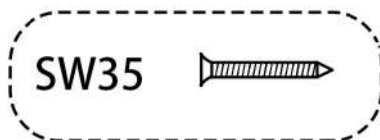
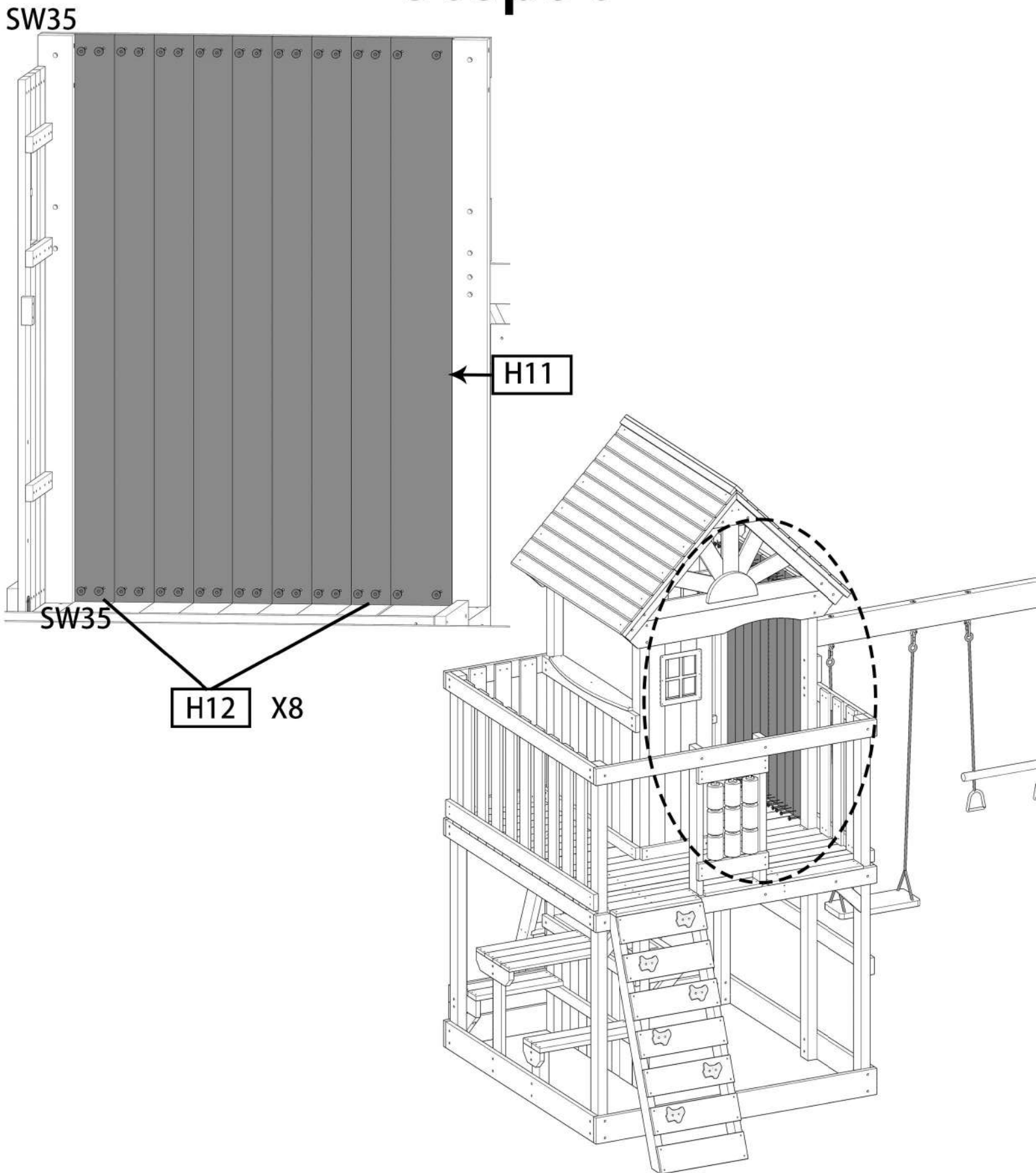


Hang the swing



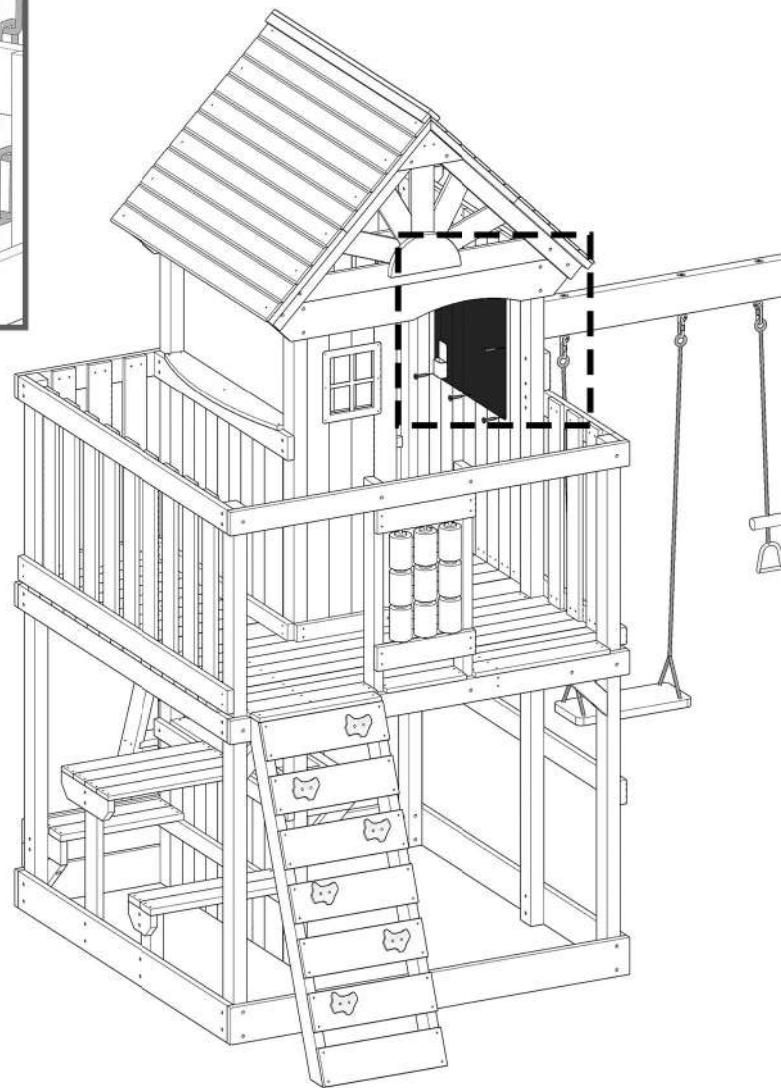
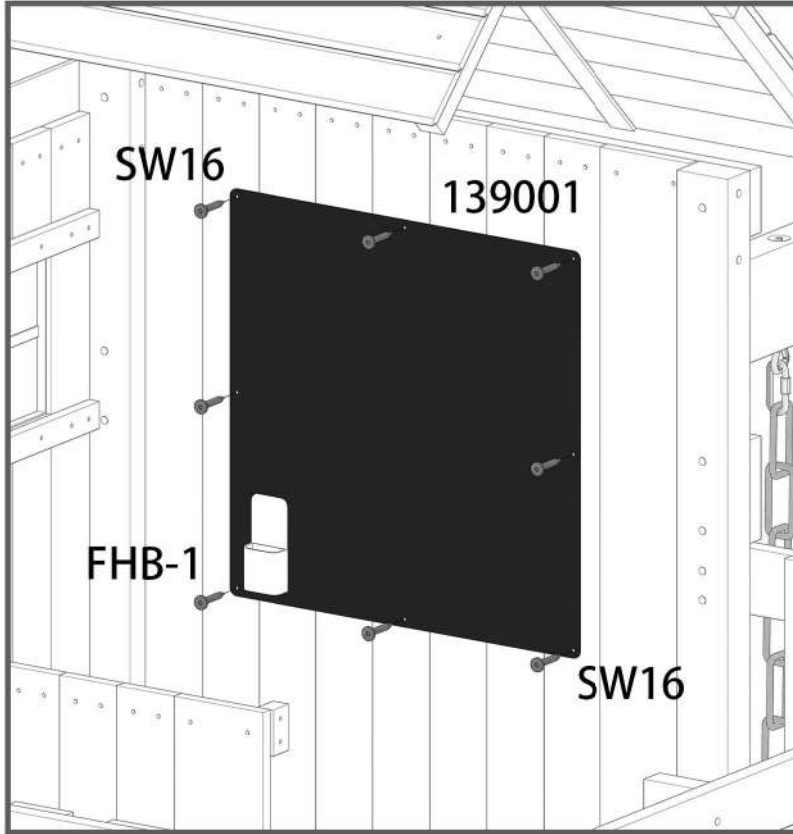
List	
Part NO.	Qty
M821	4
N815	4
S04-201	2
S04-214	1

Step 50



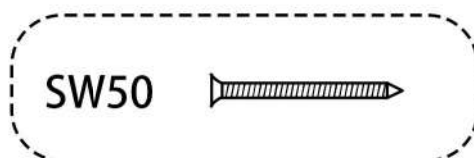
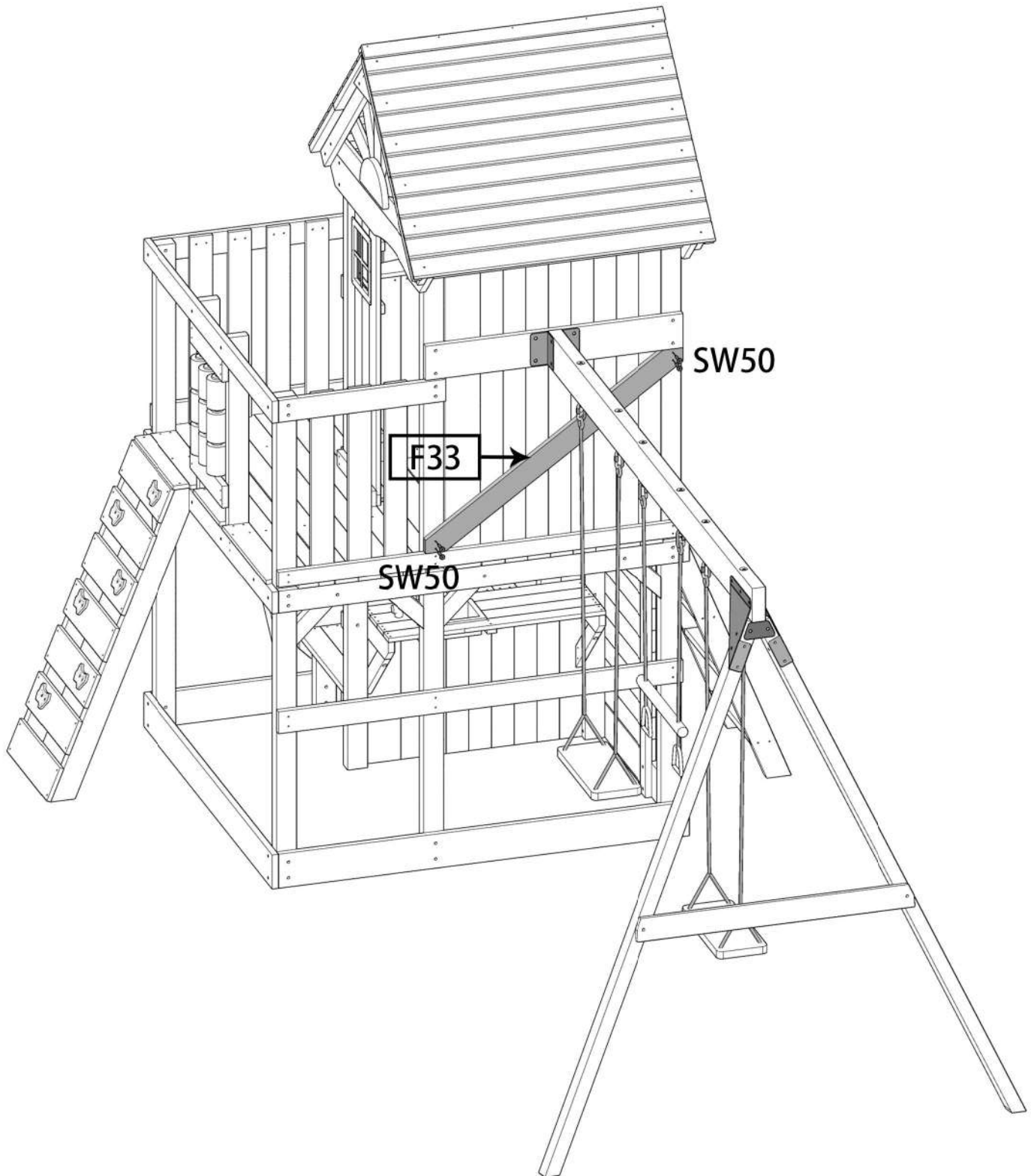
List	
Part NO.	Qty
H11	1
H12	8
SW35	36

Step 51



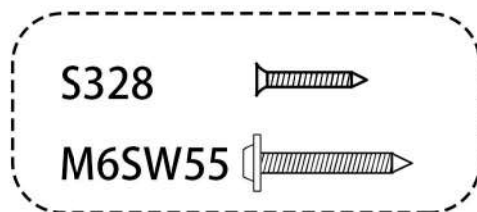
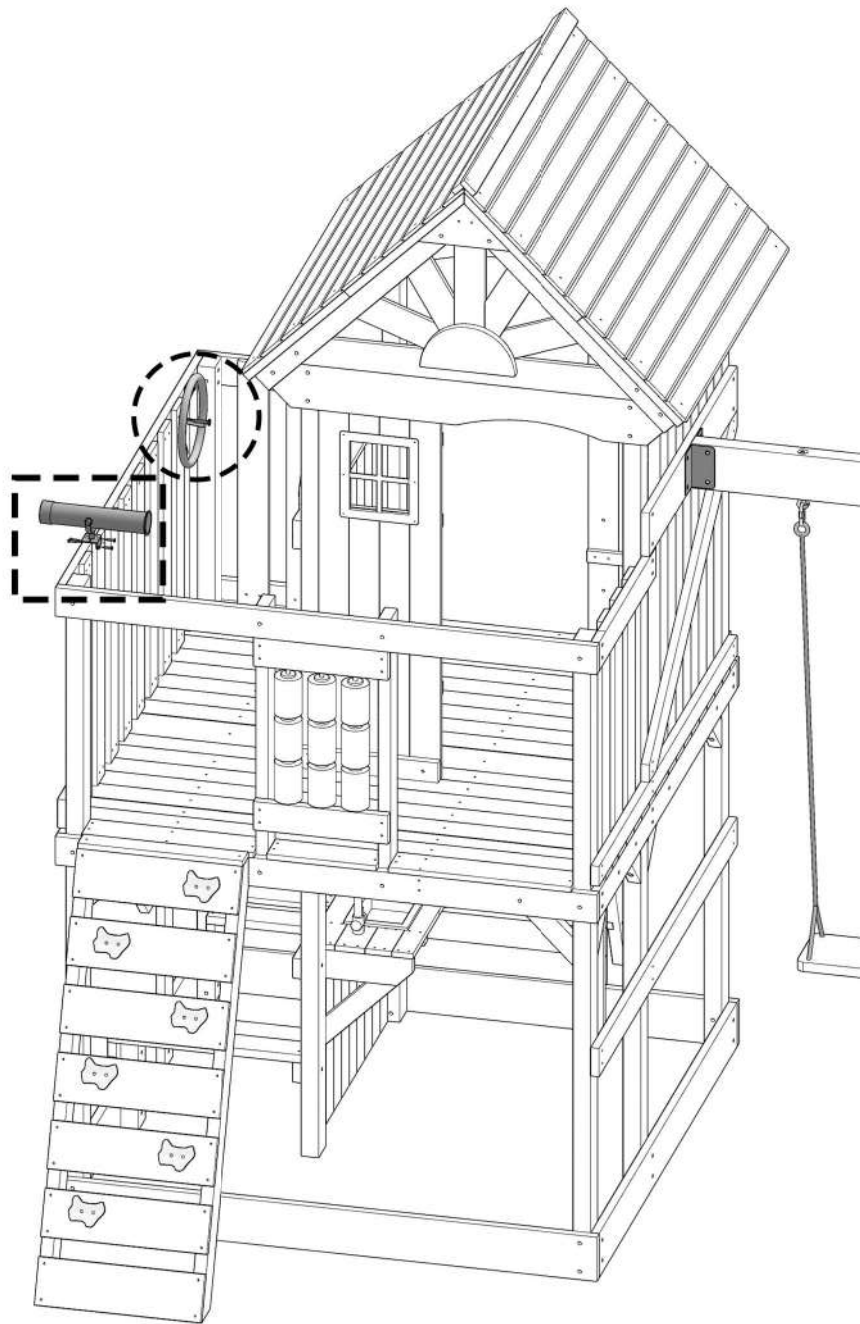
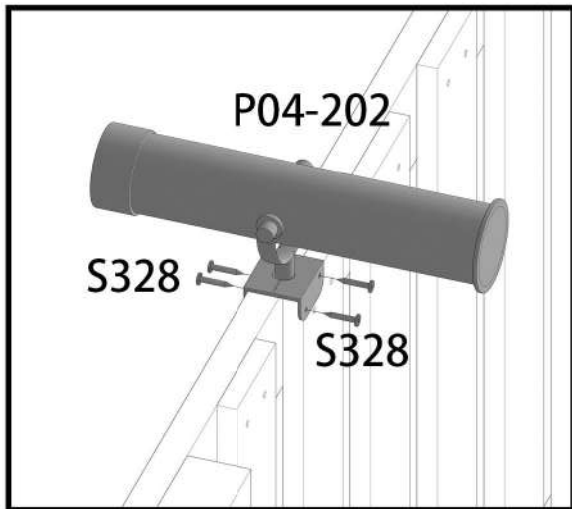
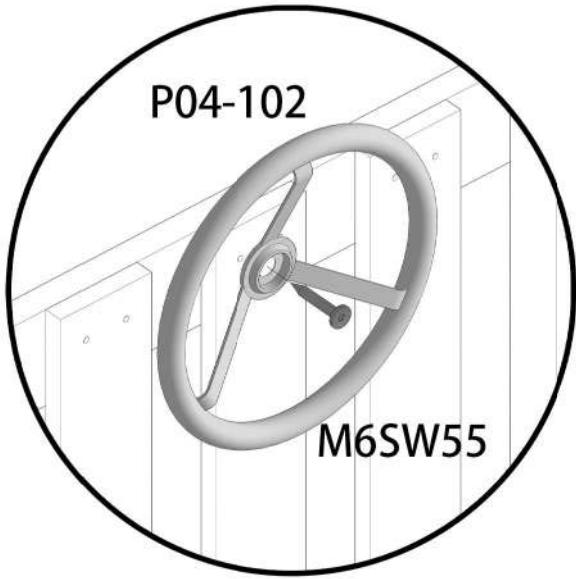
List	
Part NO.	Qty
FHB-1	1
SW16	8
139001	1

Step 52



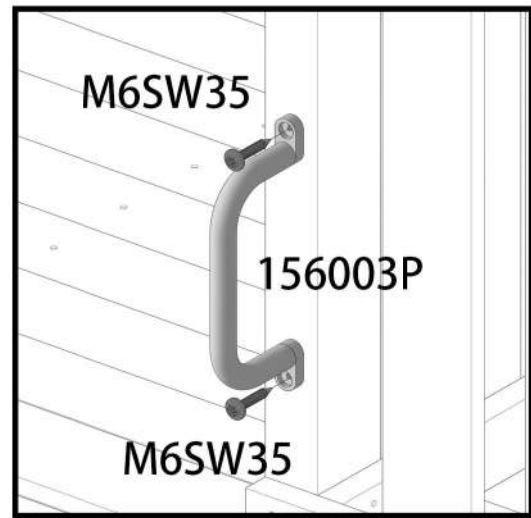
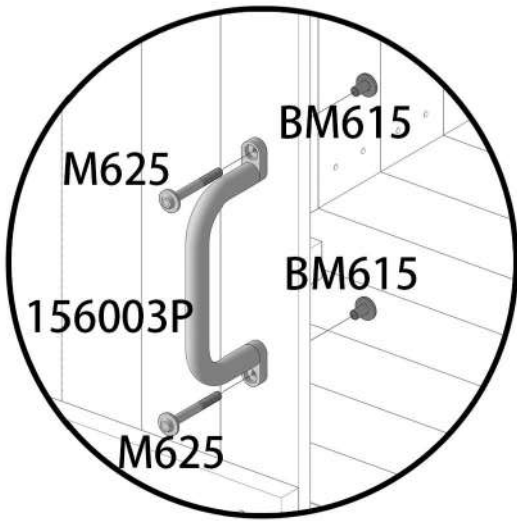
List	
Part NO.	Qty
F33	1
SW50	4

Step53

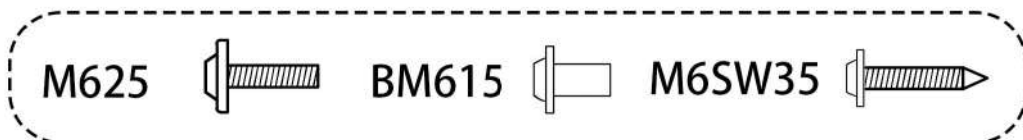
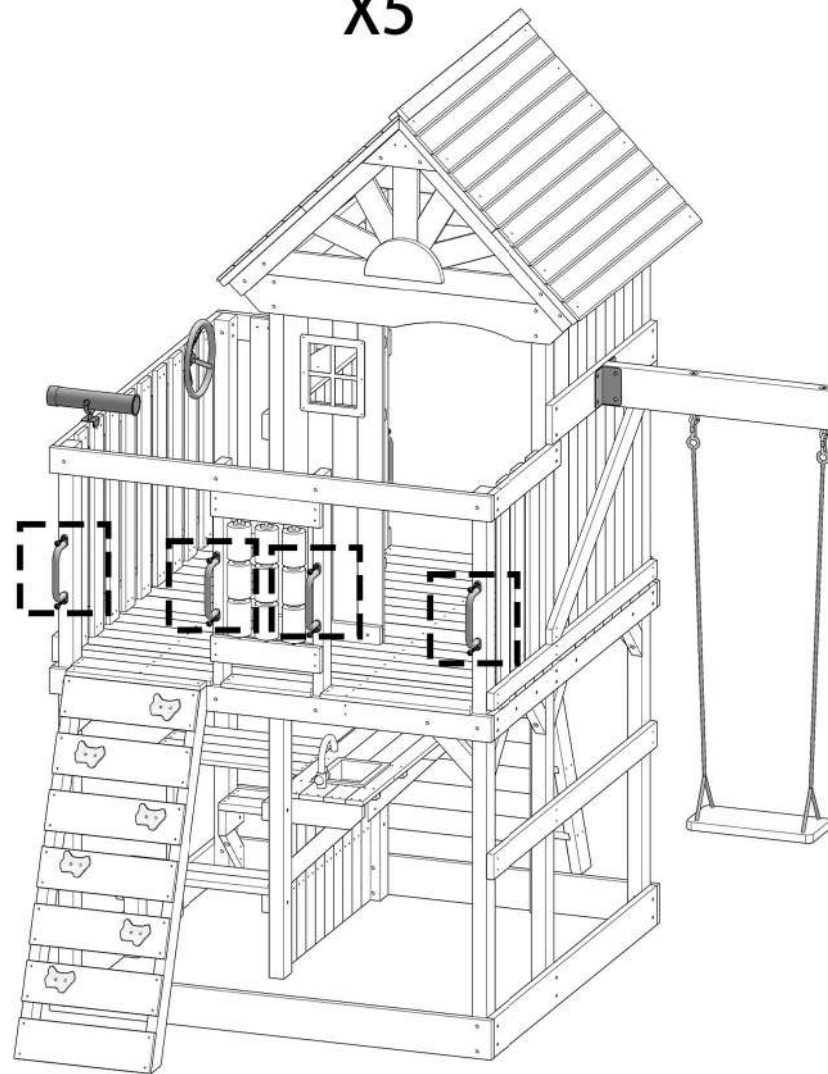
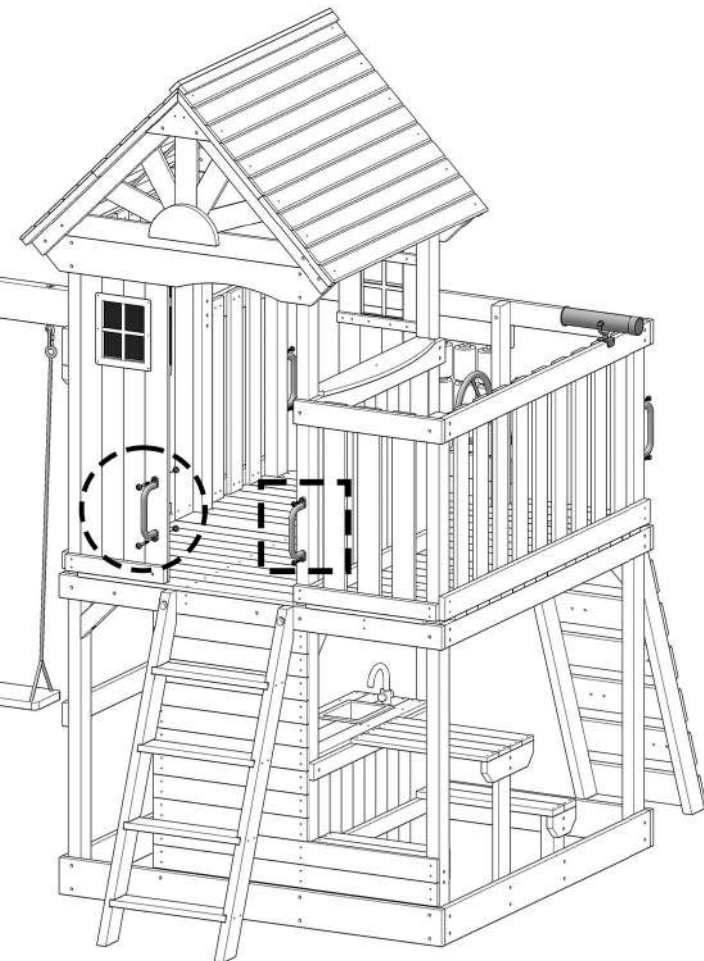


List	
Part NO.	Qty
S328	4
M6SW55	1
P04-102	1
P04-202	1

Step54

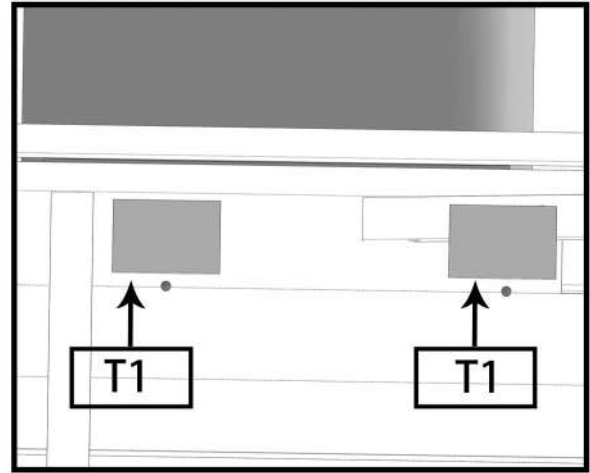
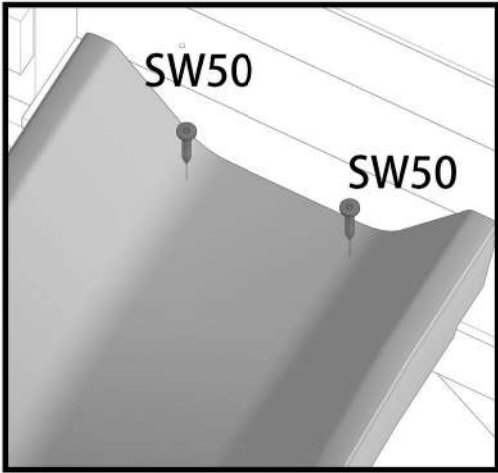


X5

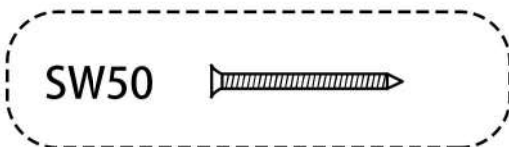
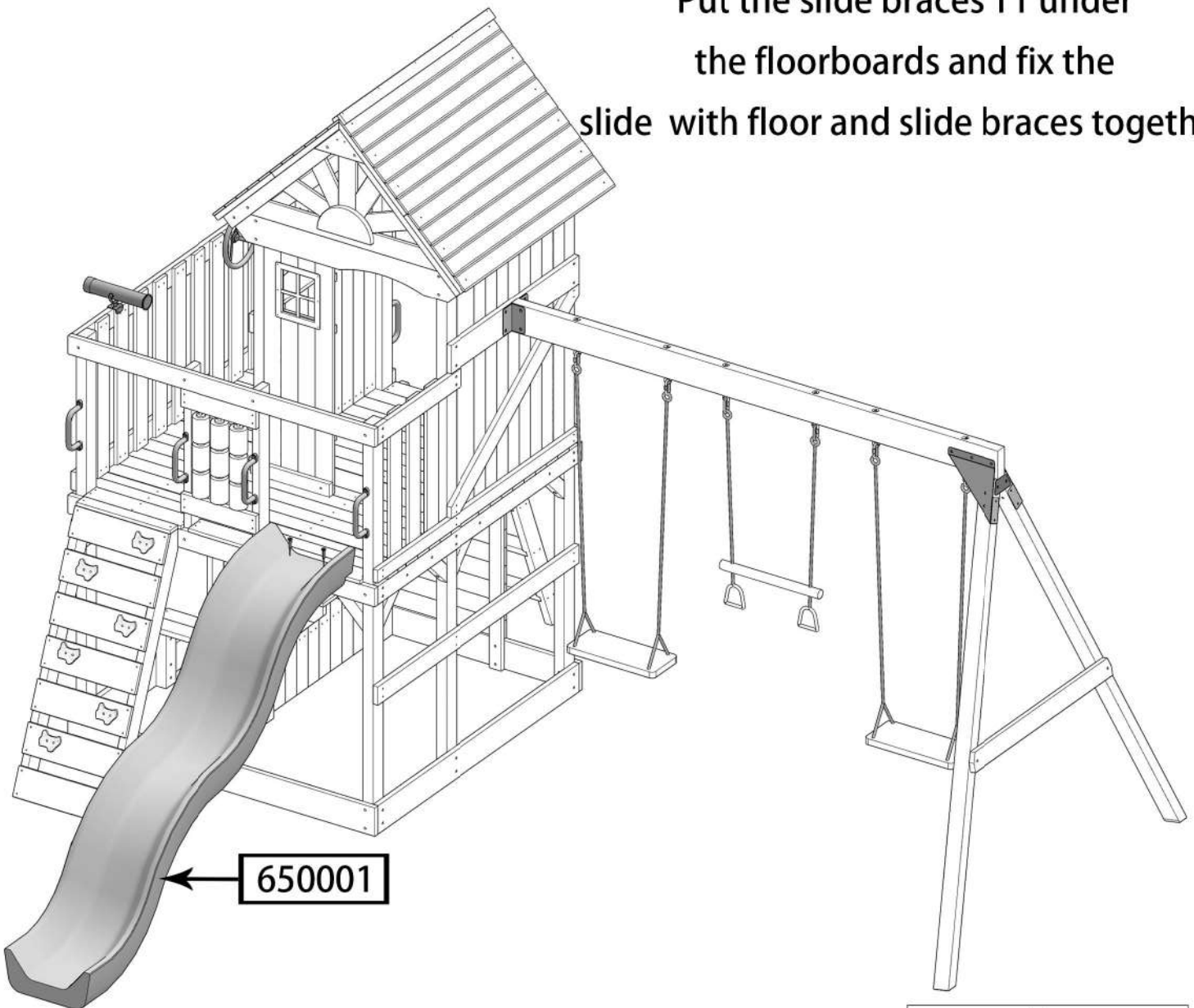


List	
Part NO.	Qty
M625	2
BM615	2
M6SW35	10
156003P	6

Step 55

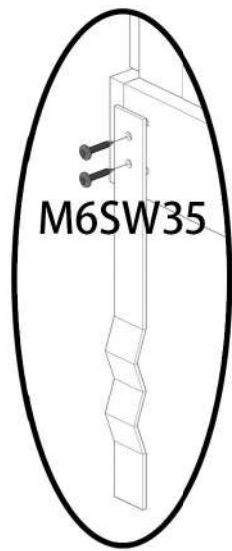
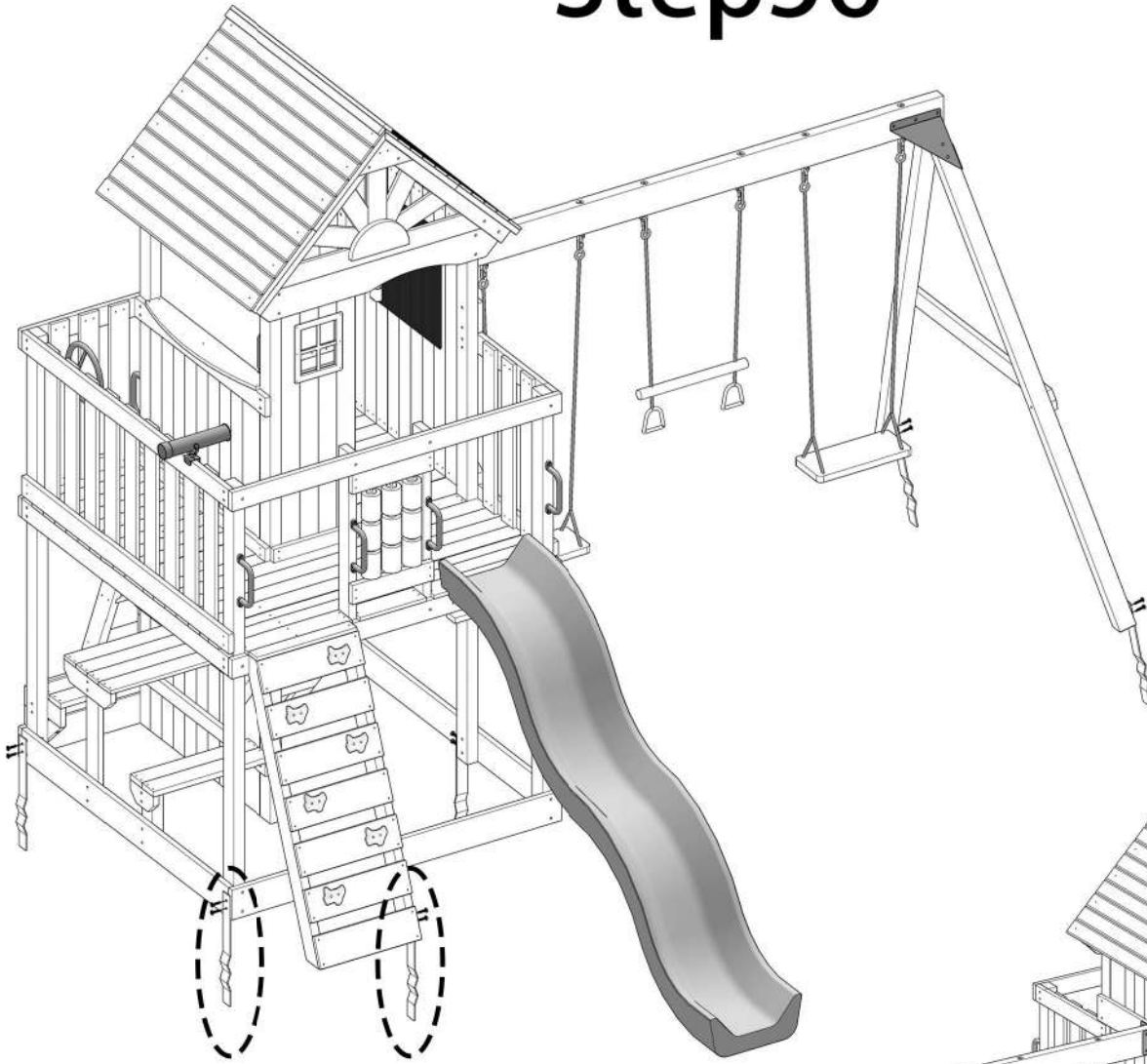


Put the slide braces T1 under the floorboards and fix the slide with floor and slide braces together



List	
Part NO.	Qty
T1	2
SW50	2
650001	1

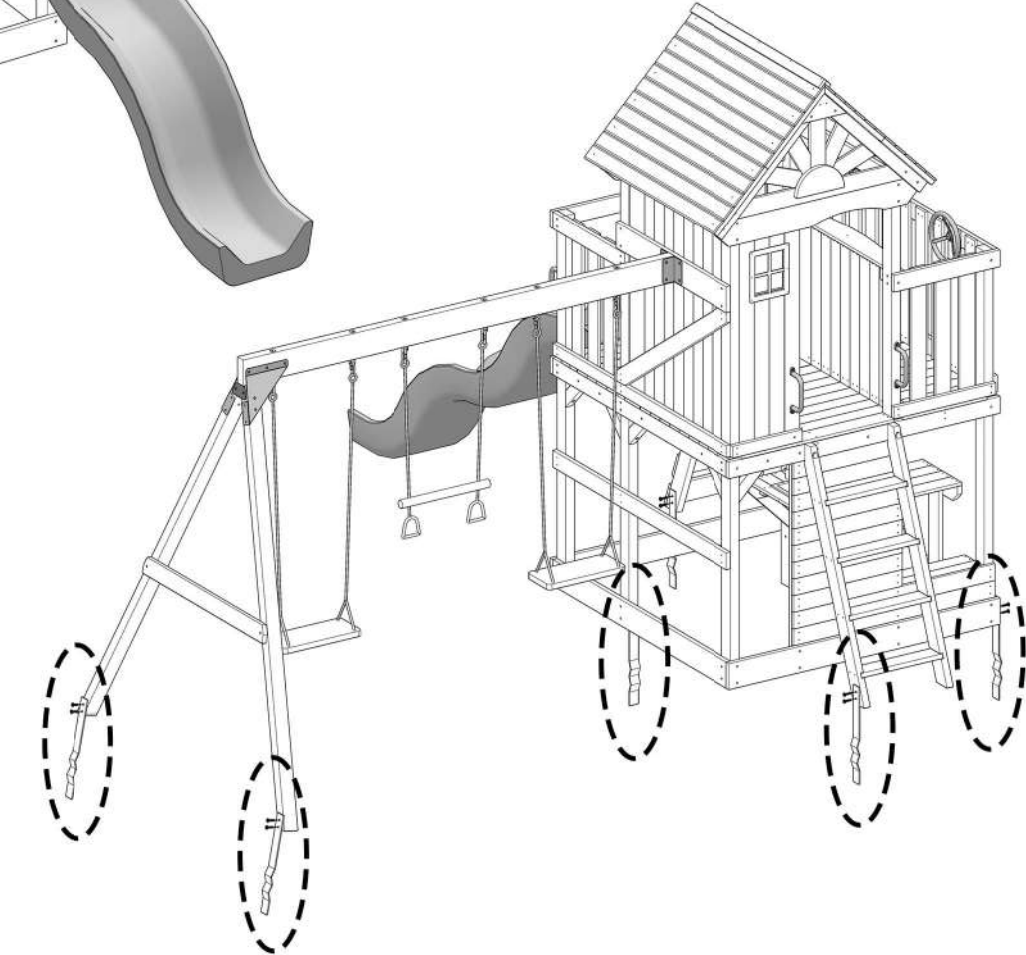
Step 56



M6SW35

X7

139070



M6SW35

List	
Part NO.	Qty
139070	7
M6SW35	14

EN - WARNING:

GENERAL INSTRUCTION:

- TO REDUCE THE RISK OF SERIOUS INJURY, PLEASE READ AND FOLLOW THESE INSTRUCTIONS BEFORE USE.
- CONTINUOUS ADULT SUPERVISION IS REQUIRED. THIS SWING SET MUST BE ASSEMBLED BY ADULTS
- ONLY FOR DOMESTIC USE. ONLY FOR OUTDOOR USE. THIS UNIT IS NOT INTENDED FOR PUBLIC USE.
- THIS UNIT IS RECOMMENDED FOR CHILDREN 3-10 YEARS OLD.
- DO NOT MODIFY ORIGINAL DESIGN.
- Children must not use this product prior to complete assembly and inspection by a competent adult. The unit must be fully assembled, properly installed and anchored prior to use.

ASSEMBLY INSTRUCTIONS:

- Do not install home playground equipment over concrete, asphalt or any other hard surface.
- Install and maintain shock absorbing material under and around this unit as recommended in this manual.
- Place this unit on level ground at least 2 meters from any obstruction such as garage or house, fences, poles, trees, sidewalks, walls, landscape timbers, rocks, pavement, planters, garden borders, overhanging branches, laundry lines, and electrical wires.
- ADULT ASSEMBLY REQUIRED. This product contains small parts and parts with sharp edges and points. Keep parts away from children until fully assembled.
- Choose a level surface for this equipment. This can reduce the likelihood of the unit tipping over and loose-fill material from washing away during heavy rains.
- DO NOT allow children to play on this unit until assembly is completed and the unit is properly anchored.
- Please save this instruction in the event that the manufacturer has to be contacted.
- MINIMUM CLEARANCE BETWEEN SWING AND GROUND IS 350MM.
- Locate slide out of direct sunlight to reduce the possible of serious burns.
- The product must be anchored

SAFETY INSTRUCTIONS:

- ON-SITE, CONTINUOUS ADULT SUPERVISION IS REQUIRED FOR CHILDREN OF ALL AGES.
- DO NOT walk close to, in front of, behind, or between moving swings or other moving equipment.
- DO NOT twist the chains and ropes of the swings or loop them over the top support bar, as this may reduce the strength of the chain or rope.
- DO NOT push empty swing seats to prevent them from swinging back and causing possible injury.
- Children should sit with full weight in the center of the swing to prevent erratic swing motions and falling off the swings.
- DO NOT allow children to use the equipment in a manner other than intended.
- DO NOT slide head first. Always go down the slide feet first.
- Look before sliding to ensure no one is at the bottom of the slide. Never run up a slide, as this increases the chance of falling.
- DO NOT crawl or climb on the roof.
- Verify that any suspended climbing rope, chain, or cable is secured at both ends and that it cannot be looped back on itself and create an entanglement hazard.
- On hot days, check the slide and other plastic components to ensure they are not too hot for use. Cool the hot slide and any plastic rides with water and wipe dry before use.

MAINTENANCE:

- Tighten all hardware at the beginning of each play season, regular check all bolts and screws and tighten them if it is necessary.
- Check your playground equipment, replace the damaged components on time.
- Check all covering for bolts and sharp edges and replace per month.
- Oil all metallic moving parts.
- Check all covering for bolts and sharp edges and replace if it is necessary per month.
- Store the swing seats in the garage or in the house in the evening and in winter.
- Check the condition of the protective stain layer once a year. Depending on the climate, the AXI playhouse needs a new coat of stain once or twice a year.
- **WARNING:** Failure to maintain can lead to dangerous situations.

THIRD PARTY ASSEMBLY

Should you elect to use a third-party person or service to assemble this product, the manufacturer assumes no responsibility or liability for any charge incurred for any assembly services. Please see our warranty for more information about damaged and missing part replacement coverage. We will not reimburse the customer for the price of parts purchased.



DISPOSAL:

Once you no longer desire to play with or keep the unit, it should be disassembled and disposed of in, such as way that no unreasonable hazards exist at the time the unit is discarded. Follow local waste ordinances.

DE - WARNUNG!

ALLGEMEINE ANWEISUNGEN:

- UM DAS RISIKO SCHWERER VERLETZUNGEN ZU VERRINGERN, LESEN UND BEFOLGEN SIE BITTE DIESE ANWEISUNGEN VOR DEM GEBRAUCH.
- EINE STÄNDIGE BEAUFSICHTIGUNG DURCH ERWACHSENE IST ERFORDERLICH. DIESES SCHAUKELSET DARF NUR VON ERWACHSENEN ZUSAMMENGEBAUT WERDEN
- NUR FÜR DEN HAUSGEBRAUCH. NUR FÜR DEN GEBRAUCH IM FREIEN. DIESES GERÄT IST NICHT FÜR DEN ÖFFENTLICHEN GEBRAUCH BESTIMMT.
- DIESES GERÄT WIRD FÜR KINDER VON 3-10 JAHREN EMPFOHLEN.
- DAS ORIGINALDESIGN DARF NICHT VERÄNDERT WERDEN.
- Kinder dürfen dieses Produkt nicht benutzen, bevor es vollständig zusammengebaut und von einem kompetenten Erwachsenen überprüft wurde. Das Gerät muss vor der Benutzung vollständig zusammengebaut, ordnungsgemäß installiert und verankert werden.

AUFBAUANLEITUNG:

- Installieren Sie die Spielplatzgeräte nicht auf Beton, Asphalt oder anderen harten Oberflächen.
- Installieren und pflegen Sie stoßdämpfendes Material unter und um das Gerät herum, wie in dieser Anleitung empfohlen.
- Stellen Sie das Gerät auf ebenem Boden auf, mindestens 2 Meter entfernt von Hindernissen wie Garagen oder Häusern, Zäunen, Masten, Bäumen, Gehwegen, Mauern, Landschaftshölzern, Steinen, Pflastersteinen, Pflanzgefäßen, Gartenbeeten, überhängenden Ästen, Wäscheleinen und Stromkabeln.
- MONTAGE DURCH ERWACHSENE ERFORDERLICH. Dieses Produkt enthält kleine Teile und Teile mit scharfen Kanten und Spitzen.

Halten Sie die Teile bis zum vollständigen Zusammenbau von Kindern fern.

- Wählen Sie eine ebene Fläche für dieses Gerät. Dies kann die Wahrscheinlichkeit verringern, dass das Gerät umkippt und loses Füllmaterial bei starkem Regen weggespült wird.
- Erlauben Sie Kindern NICHT, auf diesem Gerät zu spielen, bevor die Montage abgeschlossen und das Gerät ordnungsgemäß verankert ist.
- Bitte bewahren Sie diese Anleitung für den Fall auf, dass der Hersteller kontaktiert werden muss.
- DER MINDESTABSTAND ZWISCHEN SCHAUKEL UND BODEN BETRÄGT 350 MM.
- Stellen Sie die Rutsche außerhalb des direkten Sonnenlichts auf, um die Gefahr von schweren Verbrennungen zu verringern.
- Das Produkt muss verankert werden.

SICHERHEITSHINWEISE:

- KINDER ALLER ALTERSGRUPPEN MÜSSEN VOR ORT STÄNDIG VON ERWACHSENEN BEAUFICHTIGT WERDEN.
- Gehen Sie NICHT in die Nähe von, vor, hinter oder zwischen sich bewegende Schaukeln oder andere bewegliche Geräte.
- Die Ketten und Seile der Schaukeln NICHT verdrehen oder über die obere Stützstange schlaufen, da dies die Festigkeit der Kette oder des Seils verringern kann.
- Schieben Sie leere Schaukelsitze NICHT an, um zu verhindern, dass sie zurückschwingen und mögliche Verletzungen verursachen.
- Kinder sollten mit ihrem ganzen Gewicht in der Mitte der Schaukel sitzen, um unkontrollierte Schaukelbewegungen und das Herunterfallen von der Schaukel zu vermeiden.
- Erlauben Sie Kindern NICHT, das Gerät auf eine andere Weise als vorgesehen zu benutzen.
- Rutschen Sie NICHT mit dem Kopf voran. Rutschen Sie immer mit den Füßen zuerst hinunter.
- Vergewissern Sie sich vor dem Rutschen, dass sich niemand am unteren Ende der Rutsche befindet. Laufen Sie niemals eine Rutsche hinauf, da sich dadurch die Gefahr eines Sturzes erhöht.
- Klettern oder kriechen Sie NICHT auf das Dach.
- Vergewissern Sie sich, dass alle aufgehängten Kletterseile, Ketten oder Kabel an beiden Enden gesichert sind und sich nicht in einer Schlaufe verfangen und eine Verwicklungsgefahr darstellen können.
- Überprüfen Sie an heißen Tagen die Rutsche und andere Kunststoffteile, um sicherzustellen, dass sie nicht zu heiß für die Benutzung sind. Kühlen Sie die heiße Rutsche und alle Kunststoffteile mit Wasser ab und wischen Sie sie vor der Benutzung trocken.

WARTUNG:

- Ziehen Sie zu Beginn jeder Spielsaison alle Beschläge nach, überprüfen Sie regelmäßig alle Bolzen und Schrauben und ziehen Sie sie nach, wenn es nötig ist.
- Überprüfen Sie Ihre Spielgeräte und tauschen Sie beschädigte Teile rechtzeitig aus.
- Überprüfen Sie alle Verkleidungen auf Schrauben und scharfe Kanten und ersetzen Sie sie monatlich.
- Ölen Sie alle beweglichen Metallteile.
- Prüfen Sie alle Verkleidungen auf Schrauben und scharfe Kanten und ersetzen Sie sie bei Bedarf monatlich.
- Lagern Sie die Schaukelsitze am Abend und im Winter in der Garage oder im Haus.
- Kontrollieren Sie den Zustand der Schutzschicht einmal im Jahr. Je nach Klima muss das AXI-Spielhausein- bis zweimal im Jahr einen neuen Anstrich.
- WARNUNG: Eine unterlassene Pflege kann zu gefährlichen Situationen führen.

MONTAGE DURCH DRITTE

Sollten Sie sich dafür entscheiden, dieses Produkt von einer dritten Person oder einem Dritten montieren zu lassen, übernimmt der

Hersteller keine Verantwortung oder Haftung für die Kosten, die für die Montage anfallen. Weitere Informationen über den Ersatz von beschädigten oder fehlenden Teilen finden Sie in unserer Garantie. Wir erstatten dem Kunden nicht den Preis für gekaufte Teile.



ENTSORGUNG:

Wenn Sie nicht mehr mit dem Gerät spielen oder es behalten möchten, sollte es demontiert und so entsorgt werden, dass zum Zeitpunkt der Entsorgung keine unangemessenen Gefahren bestehen. Beachten Sie die örtlichen Abfallvorschriften.

NL - WAARSCHUWING!

ALGEMENE INSTRUCTIE:

- OM HET RISICO OP ERNSTIG LETSEL TE VERMINDEREN, DIENT U DEZE INSTRUCTIES VOOR GEBRUIK TE LEZEN EN OP TE VOLGEN.
- VOORTDUREND TOEZICHT VAN EEN VOLWASSENE IS VEREIST. DEZE SCHOMMELSET MAG ALLEEN DOOR VOLWASSENEN IN ELKAAR WORDEN GEZET
- ALLEEN VOOR HUISHOUELIJK GEBRUIK. ALLEEN VOOR GEBRUIK BUITENSHUIS. DIT APPARAAT IS NIET BEDOELD VOOR OPENBAAR GEBRUIK.
- DIT APPARAAT WORDT AANBEVOLEN VOOR KINDEREN VAN 3-10 JAAR OUD.
- WIJZIG HET ORIGINELE ONTWERP NIET.
- Kinderen mogen dit product niet gebruiken voordat het volledig gemonteerd en gecontroleerd is door een bevoegde volwassene. Het apparaat moet voor gebruik volledig gemonteerd, goed geïnstalleerd en verankerd zijn.

MONTAGE-INSTRUCTIES:

- Installeer speeltoestellen voor thuis niet op beton, asfalt of een andere harde ondergrond.
- Installeer en onderhoud schokabsorberend materiaal onder en rond dit toestel zoals aanbevolen in deze handleiding.
- Plaats dit toestel op een vlakke ondergrond op minstens 2 meter van obstakels zoals een garage of huis, hekken, palen, bomen, trottoirs, muren, landschapshout, stenen, bestrating, plantenbakken, tuinranden, overhangende takken, waslijnen en elektriciteitsdraden.
- MONTAGE DOOR VOLWASSENEN VEREIST. Dit product bevat kleine onderdelen en onderdelen met scherpe randen en punten. Houd de onderdelen uit de buurt van kinderen tot ze volledig gemonteerd zijn.
- Kies een vlakke ondergrond voor dit apparaat. Dit verkleint de kans dat het apparaat omvalt en dat los vulmateriaal wegspoelt bij hevige regenval.
- Laat kinderen NIET op dit apparaat spelen tot de montage is voltooid en het apparaat goed is verankerd.
- Bewaar deze instructie voor het geval u contact moet opnemen met de fabrikant.
- DE MINIMALE RUIMTE TUSSEN DE SCHOMMEL EN DE GROND IS 350 MM.
- Plaats de schommel uit direct zonlicht om de kans op ernstige brandwonden te verkleinen.
- Het product moet worden verankerd

VEILIGHEIDSINSTRUCTIES:

- TER PLAATSE IS VOORTDUREND TOEZICHT VAN EEN VOLWASSENE VEREIST VOOR KINDEREN VAN ALLE LEEFTIJDEN.
- Loop NIET in de buurt van, voor, achter of tussen bewegende schommels of andere bewegende apparatuur.
- De kettingen en touwen van de schommels NIET verdraaien of over de bovenste steunbalk lussen, omdat dit de sterkte van de ketting of het touw kan verminderen.

- Duw NIET tegen lege schommelzitjes om te voorkomen dat ze terug schommelen en mogelijk letsel veroorzaken.
- Kinderen moeten met hun volle gewicht in het midden van de schommel zitten om grillige schommelbewegingen en vallen van de schommel te voorkomen.
- Laat kinderen de toestellen NIET op een andere manier gebruiken dan de bedoeling is.
- Glijd NIET met het hoofd eerst naar beneden. Ga altijd met de voeten eerst van de glijbaan af.
- Kijk voor het glijden of er niemand onder aan de glijbaan staat. Ren nooit de glijbaan op, want dit vergroot de kans op vallen.
- Kruip of klim NIET op het dak.
- Controleer of een opgehangen klimtouw, ketting of kabel aan beide uiteinden is vastgemaakt en of het niet kan worden teruggelust en een verstrikkingsgevaar kan opleveren.
- Controleer op warme dagen of de glijbaan en andere plastic onderdelen niet te heet zijn voor gebruik. Koel de hete glijbaan en plastic onderdelen af met water en veeg ze droog voor gebruik.

ONDERHOUD:

- Draai aan het begin van elk speelseizoen alle hardware aan, controleer regelmatig alle bouten en schroeven en draai ze aan als dat nodig is.
- Controleer uw speeltoestellen en vervang beschadigde onderdelen op tijd.
- Controleer alle bekleding op bouten en scherpe randen en vervang deze maandelijks.
- Olie alle metalen bewegende delen.
- Controleer alle bekleding op bouten en scherpe randen en vervang deze indien nodig per maand.
- Berg de schommelzitjes 's avonds en in de winter op in de garage of in huis.
- Controleer de toestand van de beschermende beitslaag eenmaal per jaar. Afhankelijk van het klimaat heeft het AXI speelhuisje één of twee keer per jaar een nieuwe laag beits nodig.
- **WAARSCHUWING:** Niet onderhouden kan tot gevaarlijke situaties leiden.

MONTAGE DOOR DERDEN

Als u ervoor kiest om dit product door een derde te laten monteren, aanvaardt de fabrikant geen verantwoordelijkheid of aansprakelijkheid voor eventuele kosten voor montagediensten. Zie onze garantie voor meer informatie over de dekking van beschadigde en ontbrekende onderdelen. We vergoeden de prijs van de gekochte onderdelen niet aan de klant.



VERWIJDERING:

Als je niet langer met het apparaat wilt spelen of het wilt houden, moet het worden gedemonteerd en weggegooid op een manier die geen onredelijk gevaar oplevert op het moment dat het apparaat wordt weggegooid. Volg de plaatselijke afvalverordeningen.

FR - AVERTISSEMENT !

INSTRUCTIONS GÉNÉRALES :

- POUR REDUIRE LE RISQUE DE BLESSURES GRAVES, VEUILLEZ LIRE ET SUIVRE CES INSTRUCTIONS AVANT D'UTILISER L'APPAREIL.
- LA SURVEILLANCE CONTINUE D'UN ADULTE EST REQUISE. CE JEU DE BALANÇOIRE DOIT ÊTRE ASSEMBLÉ PAR DES ADULTES
- UNIQUEMENT POUR UN USAGE DOMESTIQUE. UNIQUEMENT POUR UN USAGE EXTÉRIEUR. CET APPAREIL N'EST PAS

DESTINÉ À UN USAGE PUBLIC.

- CET ENSEMBLE EST RECOMMANDÉ POUR LES ENFANTS DE 3 À 10 ANS.
- NE PAS MODIFIER LE DESIGN ORIGINAL.
- Les enfants ne doivent pas utiliser ce produit avant qu'il n'ait été entièrement assemblé et inspecté par un adulte compétent. L'appareil doit être entièrement assemblé, correctement installé et ancré avant d'être utilisé.

INSTRUCTIONS D'ASSEMBLAGE :

- N'installez pas l'équipement d'aire de jeu domestique sur du béton, de l'asphalte ou toute autre surface dure.
- Installez et entretenez un matériau absorbant les chocs sous et autour de l'appareil, conformément aux recommandations du présent manuel.
- Placez l'appareil sur un sol plat, à au moins 2 mètres de tout obstacle tel qu'un garage ou une maison, des clôtures, des poteaux, des arbres, des trottoirs, des murs, des poutres d'aménagement paysager, des rochers, des trottoirs, des jardinières, des bordures de jardin, des branches en surplomb, des fils à linge et des fils électriques.
- ASSEMBLAGE PAR UN ADULTE REQUIS. Ce produit contient de petites pièces et des pièces avec des arêtes et des pointes tranchantes. Tenir les pièces hors de portée des enfants jusqu'à ce qu'elles soient entièrement assemblées.
- Choisissez une surface plane pour cet appareil. Cela permet de réduire le risque de basculement de l'appareil et d'éviter que le matériau de remplissage ne soit emporté par les fortes pluies.
- NE PAS laisser les enfants jouer sur cet appareil tant que l'assemblage n'est pas terminé et que l'appareil n'est pas correctement ancré.
- Conservez ces instructions au cas où vous devriez contacter le fabricant.
- LA DISTANCE MINIMALE ENTRE LA BALANÇOIRE ET LE SOL EST DE 350 MM.
- Placez le toboggan à l'abri de la lumière directe du soleil afin de réduire les risques de brûlures graves.
- Le produit doit être ancré

INSTRUCTIONS DE SÉCURITÉ :

- LES ENFANTS DE TOUS ÂGES DOIVENT ÊTRE SURVEILLÉS EN PERMANENCE PAR UN ADULTE SUR LE SITE.
- NE PAS marcher à proximité, devant, derrière ou entre des balançoires ou d'autres équipements en mouvement.
- NE PAS tordre les chaînes et les cordes des balançoires ou les faire passer par-dessus la barre de soutien supérieure, car cela pourrait réduire la résistance de la chaîne ou de la corde.
- NE PAS pousser les sièges de balançoire vides pour éviter qu'ils ne basculent vers l'arrière et ne provoquent des blessures.
- Les enfants doivent s'asseoir de tout leur poids au centre de la balançoire afin d'éviter les mouvements erratiques de la balançoire et les chutes.
- NE PAS permettre aux enfants d'utiliser l'équipement d'une manière autre que celle prévue.
- NE PAS glisser la tête la première. Descendez toujours le toboggan les pieds en premier.
- Regardez avant de glisser pour vous assurer que personne ne se trouve au bas du toboggan. Ne courez jamais vers le haut d'un toboggan, car cela augmente le risque de chute.
- NE PAS ramper ou grimper sur le toit.
- Vérifiez que toute corde, chaîne ou câble d'escalade suspendu(e) est fixé(e) aux deux extrémités et qu'il/elle ne peut pas être enroulé(e) sur lui-même/elle-même et créer un risque d'enchevêtrement.
- Lorsqu'il fait chaud, vérifiez que le toboggan et les autres éléments en plastique ne sont pas trop chauds pour être utilisés. Refroidissez le toboggan chaud et les autres éléments en plastique avec de l'eau et essuyez-les avant de les utiliser.

ENTRETIEN :

- Au début de chaque saison de jeu, serrez toutes les pièces de quincaillerie, vérifiez régulièrement tous les boulons et vis et resserrez-les si nécessaire.
- Vérifiez votre équipement de terrain de jeu, remplacez les composants endommagés à temps.
- Vérifier l'absence de boulons et d'arêtes vives sur tous les revêtements et les remplacer tous les mois.
- Huilez toutes les pièces métalliques mobiles.
- Vérifier l'absence de boulons et d'arêtes vives sur tous les revêtements et les remplacer si nécessaire tous les mois.
- Rangez les sièges de balançoire dans le garage ou dans la maison le soir et en hiver.
- Vérifiez une fois par an l'état de la couche de protection. En fonction du climat, la maison de jeu AXI a besoin d'une nouvelle couche de lasure une à deux fois par an. a besoin d'une nouvelle couche de lasure une à deux fois par an, en fonction du climat.
- AVERTISSEMENT : Le manque d'entretien peut entraîner des situations dangereuses.

MONTAGE PAR UN TIERS

Si vous choisissez de faire appel à une personne ou à un service tiers pour assembler ce produit, le fabricant n'assume aucune responsabilité quant aux frais encourus pour les services d'assemblage. Veuillez consulter notre garantie pour plus d'informations sur le remplacement des pièces endommagées ou manquantes. Nous ne rembourserons pas au client le prix des pièces achetées.



ÉLIMINATION :

Lorsque vous ne souhaitez plus jouer avec l'appareil ou le conserver, il convient de le démonter et de le mettre au rebut de manière à ce qu'il n'y ait aucun risque déraisonnable au moment où l'appareil est mis au rebut. Respectez les réglementations locales en matière de déchets.



ES - ADVERTENCIA!

INSTRUCCIONES GENERALES:

- PARA REDUCIR EL RIESGO DE LESIONES GRAVES, LEA Y SIGA ESTAS INSTRUCCIONES ANTES DEL USO.
- SE REQUIERE LA SUPERVISIÓN CONTINUA DE UN ADULTO. ESTE COLUMPIO DEBE SER MONTADO POR ADULTOS
- SÓLO PARA USO DOMÉSTICO. SÓLO PARA USO EN EXTERIORES. ESTA UNIDAD NO ESTÁ DESTINADA AL USO PÚBLICO.
- ESTA UNIDAD ESTÁ RECOMENDADA PARA NIÑOS DE 3 A 10 AÑOS.
- NO MODIFIQUE EL DISEÑO ORIGINAL.
- Los niños no deben utilizar este producto antes de su completo montaje e inspección por un adulto competente. La unidad debe estar completamente montada, correctamente instalada y anclada antes de su uso.

INSTRUCCIONES DE MONTAJE:

- No instale los juegos infantiles domésticos sobre hormigón, asfalto o cualquier otra superficie dura.
- Instale y mantenga el material amortiguador debajo y alrededor de esta unidad según se recomienda en este manual.
- Coloque la unidad en un terreno llano, a una distancia mínima de 2 metros de cualquier obstáculo, como garajes o casas, vallas, postes, árboles, aceras, muros, maderas de jardinería, rocas, pavimento, macetas, bordes de jardines, ramas colgantes, tendedores y cables eléctricos.
- REQUIERE MONTAJE POR PARTE DE UN ADULTO. Este producto contiene piezas pequeñas y piezas con bordes y puntas afiladas. Mantenga las piezas fuera del alcance de los niños hasta que estén completamente montadas.
- Elija una superficie nivelada para este equipo. Esto puede reducir la probabilidad de que la unidad vuelque y de que el material de relleno suelto se lave durante lluvias fuertes.

- NO permita que los niños jueguen en esta unidad hasta que se haya completado el montaje y la unidad esté correctamente anclada.
- Guarde estas instrucciones por si fuera necesario ponerse en contacto con el fabricante.
- LA DISTANCIA MÍNIMA ENTRE EL COLUMPIO Y EL SUELO ES DE 350MM.
- Coloque el tobogán fuera del alcance de la luz solar directa para reducir la posibilidad de quemaduras graves.
- El producto debe anclarse

INSTRUCCIONES DE SEGURIDAD:

- SE REQUIERE LA SUPERVISIÓN IN SITU Y CONTINUA DE UN ADULTO PARA NIÑOS DE TODAS LAS EDADES.
- NO camine cerca, delante, detrás o entre columpios en movimiento u otros equipos móviles.
- NO retuerza las cadenas y cuerdas de los columpios ni las enrolle sobre la barra de soporte superior, ya que esto puede reducir la resistencia de la cadena o cuerda.
- NO empuje los asientos vacíos de los columpios para evitar que se balanceen hacia atrás y causen posibles lesiones.
- Los niños deben sentarse con todo su peso en el centro del columpio para evitar movimientos erráticos y caídas.
- NO permita que los niños utilicen el equipo de forma distinta a la prevista.
- NO se deslice de cabeza. Baje siempre por el tobogán con los pies por delante.
- Mire antes de deslizarse para asegurarse de que no hay nadie en la parte inferior del tobogán. No corra nunca por el tobogán, ya que aumenta el riesgo de caerse.
- NO se arrastre ni trepe por el techo.
- Compruebe que cualquier cuerda, cadena o cable de escalada suspendido está asegurado en ambos extremos y que no puede enrollarse sobre sí mismo y crear un peligro de enredo.
- En los días calurosos, compruebe que el tobogán y otros componentes de plástico no estén demasiado calientes para su uso. Enfríe el tobogán caliente y cualquier atracción de plástico con agua y séquelos con un paño antes de utilizarlos.

MANTENIMIENTO:

- Apriete todos los herrajes al principio de cada temporada de juego, compruebe regularmente todos los pernos y tornillos y apriételos si es necesario.
- Compruebe los equipos del parque infantil y sustituya a tiempo los componentes dañados.
- Compruebe si hay tornillos o bordes afilados en todos los revestimientos y sustitúyalos cada mes.
- Lubrique todas las piezas metálicas móviles.
- Compruebe si hay tornillos o bordes afilados en el revestimiento y sustitúyalos si es necesario una vez al mes.
- Guarde los asientos de los columpios en el garaje o en la casa por la noche y en invierno.
- Compruebe el estado de la capa protectora de tinte una vez al año. Dependiendo del clima, la casa de juegos AXI necesita una nueva capa de tinte una o dos veces al año.
- ADVERTENCIA: La falta de mantenimiento puede provocar situaciones peligrosas.

MONTAJE POR TERCEROS

Si decide utilizar los servicios de un tercero para montar este producto, el fabricante no se hace responsable de los gastos derivados de los servicios de montaje. Consulte nuestra garantía para obtener más información sobre la cobertura de sustitución de piezas dañadas y faltantes. No reembolsaremos al cliente el precio de las piezas compradas.



DESECHO:

Una vez que ya no desee jugar con la unidad o conservarla, deberá desmontarla y desecharla de forma que no existan peligros

irrazionables en el momento de desecharla. Siga las ordenanzas locales sobre residuos.

IT - AVVERTENZA!

ISTRUZIONI GENERALI:

- PER RIDURRE IL RISCHIO DI LESIONI GRAVI, LEGGERE E SEGUIRE QUESTE ISTRUZIONI PRIMA DELL'USO.
- È NECESSARIA LA SUPERVISIONE CONTINUA DI UN ADULTO. QUESTO SET DI ALTALENE DEVE ESSERE ASSEMBLATO DA ADULTI
- SOLO PER USO DOMESTICO. SOLO PER USO ESTERNO. QUESTA UNITÀ NON È DESTINATA ALL'USO PUBBLICO.
- QUESTA UNITÀ È CONSIGLIATA PER BAMBINI DI ETÀ COMPRESA TRA 3 E 10 ANNI.
- NON MODIFICARE IL PROGETTO ORIGINALE.
- I bambini non devono utilizzare questo prodotto prima del montaggio completo e dell'ispezione da parte di un adulto competente. L'unità deve essere completamente assemblata, installata e ancorata correttamente prima dell'uso.

ISTRUZIONI DI MONTAGGIO:

- Non installare l'attrezzatura per parchi giochi domestici su cemento, asfalto o altre superfici dure.
- Installare e mantenere il materiale ammortizzante sotto e intorno all'unità come raccomandato in questo manuale.
- Posizionare l'unità su un terreno pianeggiante ad almeno 2 metri da qualsiasi ostacolo, come garage o case, recinzioni, pali, alberi, marciapiedi, muri, legni da giardino, rocce, marciapiedi, fioriere, bordi del giardino, rami sporgenti, fili del bucato e cavi elettrici.
- È RICHiesto L'ASSEMBLAGGIO DA PARTE DI UN ADULTO. Questo prodotto contiene parti piccole e parti con bordi e punte affilate. Tenere le parti lontano dalla portata dei bambini fino al completo assemblaggio.
- Scegliere una superficie piana per questo apparecchio. In questo modo si può ridurre la probabilità che l'unità si ribalti e che il materiale di riempimento sciolto venga lavato via in caso di forti piogge.
- NON permettere ai bambini di giocare su questa unità finché il montaggio non è stato completato e l'unità non è stata ancorata correttamente.
- Conservare queste istruzioni nel caso in cui sia necessario contattare il produttore.
- LA DISTANZA MINIMA TRA L'ALTALENA E IL TERRENO È DI 350 MM.
- Collocare lo scivolo al riparo dalla luce diretta del sole per ridurre il rischio di gravi ustioni.
- Il prodotto deve essere ancorato

ISTRUZIONI DI SICUREZZA:

- È NECESSARIA LA SUPERVISIONE CONTINUA DI UN ADULTO IN LOCO PER I BAMBINI DI TUTTE LE ETÀ.
- NON camminare vicino, davanti, dietro o tra le altalene in movimento o altre attrezzature in movimento.
- NON attorcigliare le catene e le corde delle altalene o farle passare sopra la barra di supporto superiore, perché ciò potrebbe ridurre la resistenza della catena o della corda.
- NON spingere i seggiolini vuoti dell'altalena per evitare che oscillino all'indietro causando possibili lesioni.
- I bambini devono sedersi con tutto il peso al centro dell'altalena per evitare movimenti irregolari e cadute dall'altalena.
- NON permettere ai bambini di utilizzare l'attrezzatura in modo diverso da quello previsto.
- NON scivolare a testa in giù. Scendere sempre dallo scivolo con i piedi per primi.
- Guardare prima di scivolare per assicurarsi che non ci sia nessuno in fondo allo scivolo. Non correre mai su uno scivolo per non aumentare il rischio di caduta.
- NON strisciare o arrampicarsi sul tetto.

- Verificare che le corde, le catene o i cavi sospesi siano fissati a entrambe le estremità e che non possano riavvolgersi su se stessi creando un rischio di impigliamento.
- Nelle giornate calde, controllare che lo scivolo e gli altri componenti in plastica non siano troppo caldi per essere utilizzati. Raffreddare lo scivolo caldo e le giostre in plastica con acqua e asciugare prima dell'uso.

MANUTENZIONE:

- All'inizio di ogni stagione ludica, controllare regolarmente tutti i bulloni e le viti e, se necessario, serrarli.
- Controllare le attrezzature del parco giochi e sostituire tempestivamente i componenti danneggiati.
- Controllare tutti i rivestimenti per verificare la presenza di bulloni e bordi taglienti e sostituirli ogni mese.
- Oliate tutte le parti metalliche in movimento.
- Controllare tutti i rivestimenti per verificare la presenza di bulloni e bordi taglienti e, se necessario, sostituirli ogni mese.
- Riporre i seggiolini dell'altalena in garage o in casa la sera e in inverno.
- Controllare lo stato dello strato protettivo di colore una volta all'anno. A seconda del clima, la casetta AXI necessita di una nuova mano di mordente una o due volte l'anno.
- **ATTENZIONE:** la mancata manutenzione può causare situazioni pericolose.

MONTAGGIO DA PARTE DI TERZI

Nel caso in cui si decida di utilizzare una persona o un servizio di terze parti per assemblare questo prodotto, il produttore non si assume alcuna responsabilità per eventuali spese sostenute per i servizi di assemblaggio. Per ulteriori informazioni sulla copertura della sostituzione di parti danneggiate e mancanti, consultare la nostra garanzia. Non rimborseremo al cliente il prezzo delle parti acquistate.



SMALTIMENTO:

Una volta che non si desidera più giocare o tenere l'unità, questa deve essere smontata e smaltita in modo tale che non vi siano pericoli irragionevoli al momento dello smaltimento dell'unità. Seguire le disposizioni locali in materia di rifiuti.



CZ - VAROVÁNÍ!

OBEČNÝ POKYN:

- PŘED POUŽITÍM SI PŘEČTĚTE TYTO POKYNY A DODRŽUJTE JE.
- JE NUTNÝ NEUSTÁLÝ DOHLED DOSPĚLÉ OSOBY. TUTO HOUPAČKU MUSÍ SESTAVOVAT DOSPĚLÉ OSOBY.
- POUZE PRO DOMÁCÍ POUŽITÍ. POUZE PRO VENKOVNÍ POUŽITÍ. TOTO ZAŘÍZENÍ NENÍ URČENO PRO VEŘEJNÉ POUŽITÍ.
- TATO JEDNOTKA JE DOPORUČENA PRO DĚTI VE VĚKU 3-10 LET.
- NEUPRAVUJTE ORIGINÁLNÍ KONSTRUKCI.
- Děti nesmí tento výrobek používat před kompletní montáží a kontrolou kompetentní dospělou osobou. Jednotka musí být před použitím kompletně sestavena, řádně nainstalována a ukotvena.

NÁVOD K MONTÁŽI:

- Neinstalujte zařízení domácího hřiště na beton, asfalt nebo jiný tvrdý povrch.
- Nainstalujte a udržujte materiál tlumící nárazy pod a kolem této jednotky, jak je doporučeno v tomto návodu.
- Umístěte tuto jednotku na rovný terén alespoň 2 metry od jakýchkoli překážek, jako jsou garáž nebo dům, ploty, sloupy, stromy, chodníky, zdi, krajinné dřeviny, kameny, dlažba, květináče, okraje zahrady, převislé větve, prádelní šňůry a elektrické dráty.
- JE NUTNÁ MONTÁŽ DOSPĚLÉHO ČLOVĚKA. Tento výrobek obsahuje malé části a díly s ostrými hranami a hroty. Až do úplného sestavení uchovávejte díly mimo dosah dětí.

- Pro toto zařízení zvolte rovný povrch. Snížíte tak pravděpodobnost převrácení zařízení a vyplavení volně ložených materiálů při silných deštích.
- NEDOVOLTE dětem hrát si na tomto zařízení, dokud není dokončena montáž a zařízení není řádně ukotveno.
- Tento návod si uschovejte pro případ, že by bylo nutné kontaktovat výrobce.
- MINIMÁLNÍ VZDÁLENOST MEZI HOUPAČKOU A ZEMÍ JE 350 MM.
- Umístěte skluzavku mimo dosah přímého slunečního světla, abyste snížili možnost vážného popálení.
- Výrobek musí být ukotven

BEZPEČNOSTNÍ POKYNY:

- NA MÍSTĚ, PRO DĚTI VŠECH VĚKOVÝCH KATEGORIÍ JE NUTNÝ NEUSTÁLÝ DOHLED DOSPĚLÉ OSOBY.
- NEPŘECHÁZEJTE v blízkosti, před, za nebo mezi pohybujícími se houpačkami nebo jiným pohyblivým zařízením.
- NEKRUCTE řetězy a lana houpaček ani je neomotávejte přes horní podpěrnou tyč, protože by se tím mohla snížit pevnost řetězu nebo lana.
- NEMUSÍTE tlačit prázdná sedadla houpaček, abyste zabránili jejich zhrounutí zpět a možnému zranění.
- Děti by měly sedět plnou vahou uprostřed houpačky, aby se zabránilo nepravidelným pohybům houpačky a pádu z houpačky.
- NEDOVOLUJTE dětem používat zařízení jiným než určeným způsobem.
- NESMÍ se klouzat hlavou napřed. Vždy sjíždějte po skluzavce nohama napřed.
- Před sklouznutím se podívejte, zda se ve spodní části skluzavky nikdo nenachází. Nikdy neběhejte po skluzavce nahoru, protože se tím zvyšuje riziko pádu.
- NEPLAŽTE se ani nelezte po střeše.
- Zkontrolujte, zda jsou všechna zavěšená šplhací lana, řetězy nebo kabely zajištěny na obou koncích a zda se nemohou navinout zpět na sebe a vytvořit nebezpečí zamotání.
- V horkých dnech zkontrolujte skluzavku a další plastové součásti, zda nejsou příliš horké pro použití. Horkou skluzavku a všechny plastové atrakce před použitím ochlaďte vodou a otřete do sucha.

ÚDRŽBA:

- Na začátku každé herní sezóny utáhněte veškerý hardware, pravidelně kontrolujte všechny šrouby a vruty a v případě potřeby je dotáhněte.
- Kontrolujte vybavení hřiště, poškozené součásti včas vyměňte.
- Kontrolujte všechny krytiny, zda nemají šrouby a ostré hrany, a každý měsíc je vyměňte.
- Promažte všechny kovové pohyblivé části.
- Zkontrolujte všechny krytiny na šrouby a ostré hrany a v případě potřeby je měsíčně vyměňte.
- Večer a v zimě ukládejte houpačky do garáže nebo do domu.
- Jednou ročně zkontrolujte stav ochranné vrstvy skvrn. V závislosti na klimatických podmínkách potřebuje dětský domek AXI novou vrstvu mořidla jednou až dvakrát ročně.
- VAROVÁNÍ: Nedodržení údržby může vést k nebezpečným situacím.

MONTÁŽ TŘETÍ STRANOU

Pokud se rozhodnete využít k montáži tohoto výrobku osobu nebo službu třetí strany, výrobce nenesе žádnou odpovědnost za případné poplatky za montážní služby. Další informace o krytí poškozených a chybějících dílů naleznete v naší záruce. Cenu zakoupených dílů zákazníkovi neuhradíme.



ODSTRANĚNÍ:

Jakmile si již nebudete chtít s jednotkou hrát nebo si ji ponechat, měla by být rozebrána a zlikvidována takovým způsobem, aby v době likvidace jednotky neexistovalo žádné nepřiměřené nebezpečí. Dodržujte místní vyhlášky o odpadech.

PL – OSTRZEŻENIE!

INSTRUKCJA OGÓLNA:

- ABY ZMNIJSZYĆ RYZYKO POWAŻNYCH OBRAŻEŃ, PRZED UŻYCIEM NALEŻY ZAPOZNAĆ SIĘ Z NINIEJSZYMI INSTRUKCJAMI I POSTĘPOWAĆ ZGODNIE Z NIMI.
- WYMAGANY JEST STAŁY NADZÓR OSOBY DOROSŁEJ. TEN ZESTAW HUŚTAWEK MUSI BYĆ MONTOWANY PRZEZ OSOBY DOROSŁE
- TYLKO DO UŻYTKU DOMOWEGO. TYLKO DO UŻYTKU NA ZEWNĄTRZ. URZĄDZENIE NIE JEST PRZEZNACZONE DO UŻYTKU PUBLICZNEGO.
- TO URZĄDZENIE JEST ZALECANE DLA DZIECI W WIEKU 3-10 LAT.
- NIE MODYFIKOWAĆ ORYGINALNEJ KONSTRUKCJI.
- Dzieci nie mogą korzystać z tego produktu przed jego całkowitym zmontowaniem i sprawdzeniem przez kompetentną osobę dorosłą. Urządzenie musi być w pełni zmontowane, prawidłowo zainstalowane i zakotwiczone przed użyciem.

INSTRUKCJE MONTAŻU:

- Nie należy instalować przydomowego placu zabaw na betonie, asfalcie lub innej twardej powierzchni.
- Pod urządzeniem i wokół niego należy zainstalować i utrzymywać materiał amortyzujący zgodnie z zaleceniami zawartymi w niniejszej instrukcji.
- Urządzenie należy umieścić na równym podłożu, w odległości co najmniej 2 metrów od wszelkich przeszkód, takich jak garaż lub dom, ogrodzenia, słupy, drzewa, chodniki, ściany, drewniane elementy krajobrazu, kamienie, chodniki, donice, obrzeża ogrodowe, zwisające gałęzie, linki do prania i przewody elektryczne.
- WYMAGANY MONTAŻ PRZEZ OSOBĘ DOROSŁĄ. Ten produkt zawiera małe części oraz elementy o ostrych krawędziach i zakończeniach. Części należy przechowywać z dala od dzieci do momentu całkowitego zmontowania.
- Urządzenie należy ustawić na równej powierzchni. Może to zmniejszyć prawdopodobieństwo przewrócenia się urządzenia i wypłukania luźnego materiału podczas ulewnych deszczy.
- NIE WOLNO pozwalać dzieciom bawić się na tym urządzeniu, dopóki nie zostanie ono zmontowane i odpowiednio zakotwiczone.
- Należy zachować tę instrukcję na wypadek konieczności skontaktowania się z producentem.
- MINIMALNY PRZEŚWIT MIĘDZY HUŚTAWKĄ A PODŁOŻEM WYNOŚI 350 MM.
- Zjeżdżalnię należy umieścić z dala od bezpośredniego światła słonecznego, aby zmniejszyć ryzyko poważnych oparzeń.
- Produkt musi być zakotwiczony

INSTRUKCJE BEZPIECZEŃSTWA:

- NA MIEJSCU WYMAGANY JEST STAŁY NADZÓR OSOBY DOROSŁEJ NAD DZIEĆMI W KAŻDYM WIEKU.
- NIE WOLNO chodzić w pobliżu, przed, za lub pomiędzy ruchomymi huśtawkami lub innym ruchomym sprzętem.
- NIE WOLNO skręcać łańcuchów i lin huśtawek ani zapętlać ich na górnym drążku podtrzymującym, ponieważ może to zmniejszyć wytrzymałość łańcucha lub liny.
- NIE WOLNO popychać pustych siedzisk huśtawek, aby zapobiec ich odchyleniu się do tyłu i spowodowaniu ewentualnych obrażeń.
- Dzieci powinny siedzieć z pełnym ciężarem na środku huśtawki, aby zapobiec nieregularnym ruchom i wypadnięciu z huśtawki.
- NIE WOLNO pozwalać dzieciom na korzystanie z urządzenia w sposób niezgodny z jego przeznaczeniem.

- NIE WOLNO zjeżdżać głową do przodu. Zawsze zjeżdżaj najpierw nogami.
- Przed zjazdem należy sprawdzić, czy nikt nie znajduje się na dole zjeżdżalni. Nigdy nie wbiegaj na zjeżdżalnię, ponieważ zwiększa to ryzyko upadku.
- NIE czołgaj się ani nie wspinaj na dach.
- Upewnij się, że zawieszona lina wspinaczkowa, łańcuch lub kabel są zabezpieczone na obu końcach i nie mogą zostać zapętłone z powrotem na sobie, stwarzając ryzyko zaplątania.
- W upalne dni sprawdź zjeżdżalnię i inne plastikowe elementy, aby upewnić się, że nie są zbyt gorące do użytku. Przed użyciem należy schłodzić gorącą zjeżdżalnię i inne plastikowe elementy wodą i wytrzeć do sucha.

KONSERWACJA:

- Na początku każdego sezonu zabawowego należy dokręcić wszystkie okucia, regularnie sprawdzać wszystkie śruby i wkręty i dokręcać je w razie potrzeby.
- Sprawdź wyposażenie placu zabaw, wymień uszkodzone elementy na czas.
- Sprawdzaj wszystkie pokrycia pod kątem śrub i ostrych krawędzi i wymieniaj je co miesiąc.
- Naoliw wszystkie metalowe części ruchome.
- Sprawdź wszystkie pokrycia pod kątem śrub i ostrych krawędzi i wymień je w razie potrzeby co miesiąc.
- Wieczorem i zimą przechowuj siedziska huśtawek w garażu lub w domu.
- Raz w roku należy sprawdzić stan ochronnej warstwy bejcy. W zależności od klimatu domek do zabawy AXI wymaga nałożenia nowej warstwy bejcy raz lub dwa razy w roku.
- OSTRZEŻENIE: Zaniedbanie konserwacji może prowadzić do niebezpiecznych sytuacji.

MONTAŻ PRZEZ OSOBĘ TRZECIĄ

Jeśli zdecydujesz się skorzystać z usług osoby trzeciej w celu montażu tego produktu, producent nie ponosi żadnej odpowiedzialności za jakiegokolwiek opłaty poniesione za jakiegokolwiek usługi montażowe. Więcej informacji na temat wymiany uszkodzonych i brakujących części można znaleźć w naszej gwarancji. Nie zwrócimy klientowi ceny zakupionych części.



UTYLIZACJA:

Po zakończeniu korzystania z urządzenia należy je zdemontować i zutylizować w taki sposób, aby w momencie wyrzucania nie istniało żadne nieuzasadnione zagrożenie. Należy przestrzegać lokalnych przepisów dotyczących odpadów.

SK – VAROVANIE!

VŠEOBECNÉ POKYNY:

- ABY STE ZNÍŽILI RIZIKO VÁŽNEHO PORANENIA, PREČÍTAJTE SI PRED POUŽITÍM TIETO POKYNY A DODRŽIAVAJTE ICH.
- JE POTREBNÝ NEPRETRŽITÝ DOHL'AD DOSPELEJ OSOBY. TÚTO HOJDACIU SÚPRAVU MUSIA MONTOVAŤ DOSPELÉ OSOBY
- LEN NA DOMÁCE POUŽITIE. LEN NA VONKAJŠIE POUŽITIE. TOTO ZARIADENIE NIE JE URČENÉ NA VEREJNÉ POUŽITIE.
- TÁTO JEDNOTKA SA ODPORÚČA PRE DETI VO VEKU 3-10 ROKOV.
- NEUPRAVUJTE PÔVODNÝ DIZAJN.
- Deti nesmú používať tento výrobok pred úplnou montážou a kontrolou kompetentnou dospelou osobou. Jednotka musí byť pred použitím kompletne zmontovaná, správne nainštalovaná a ukotvená.

NÁVOD NA MONTÁŽ:

- Zariadenie na domáce hranie neinštalujte na betón, asfalt alebo iný tvrdý povrch.
- Pod a okolo tejto jednotky nainštalujte a udržiavajte materiál pohlcujúci nárazy, ako sa odporúča v tomto návode.
- Túto jednotku umiestnite na rovný terén vo vzdialenosti najmenej 2 metre od akýchkoľvek prekážok, ako sú garáž alebo dom, ploty, stĺpy, stromy, chodníky, steny, krajinné dreviny, skaly, chodník, kvetináče, okraje záhrady, previsnuté konáre, šnúry na bielizeň a elektrické káble.
- JE POTREBNÁ MONTÁŽ PRE DOSPELÉ OSOBY. Tento výrobok obsahuje malé časti a časti s ostrými hranami a hrotmi. Až do úplného zostavenia uchovávajte diely mimo dosahu detí.
- Pre toto zariadenie vyberte rovný povrch. Tým sa môže znížiť pravdepodobnosť prevrátenia zariadenia a vyplavenia voľnej výplne počas silných dažďov.
- NEDOVOLTE deťom hrať sa na tomto zariadení, kým nie je dokončená montáž a zariadenie nie je riadne ukotvené.
- Tento návod si uschovajte pre prípad, že bude potrebné kontaktovať výrobcu.
- MINIMÁLNA VZDIALENOSŤ MEDZI HOJDAČKOU A ZEMOU JE 350 MM.
- Umiestnite hojdačku mimo priameho slnečného svetla, aby ste znížili možnosť vážneho popálenia.
- Výrobok musí byť ukotvený

BEZPEČNOSTNÉ POKYNY:

- NA MIESTE, PRE DETI VŠETKÝCH VEKOVÝCH KATEGÓRIÍ JE POTREBNÝ NEPRETRŽITÝ DOHLAD DOSPELEJ OSOBY.
- NEPRECHÁDZAJTE v blízkosti, pred, za alebo medzi pohyblivými hojdačkami alebo iným pohyblivým zariadením.
- NEKRÚŤTE reťaze a laná hojdačiek ani ich nekrúťte cez hornú nosnú tyč, pretože to môže znížiť pevnosť reťaze alebo lana.
- NEBUĎTE tlačiť prázdne sedadlá hojdačiek, aby ste zabránili ich odklopeniu a možnému zraneniu.
- Deti by mali sedieť plnou váhou v strede hojdačky, aby sa zabránilo nepravidelným pohybom hojdačky a pádu z hojdačky.
- NEDOVOLTE deťom používať zariadenie iným spôsobom, ako je určené.
- NESMIETE sa šmykať hlavou dopredu. Vždy sa spúšťajte po šmykľavke nohami napred.
- Pred skĺznutím sa pozrite, či sa nikto nenachádza v spodnej časti šmykľavky. Nikdy nebehaajte po šmykľavke, pretože sa tým zvyšuje riziko pádu.
- NEPLAŽTE sa ani nelezte na strechu.
- Skontrolujte, či sú všetky zavesené laná, reťaze alebo káble na šplhanie zaistené na oboch koncoch a či sa nemôžu namotať späť na seba a vytvoriť nebezpečenstvo zamotania.
- V horúcich dňoch skontrolujte šmykačku a iné plastové komponenty, či nie sú príliš horúce na používanie. Pred použitím horúcu šmykačku a všetky plastové atrakcie ochlaďte vodou a utrite do sucha.

ÚDRŽBA:

- Na začiatku každej hracej sezóny utiahnite všetok hardvér, pravidelne kontrolujte všetky skrutky a skrutky a v prípade potreby ich dotiahnite.
- Skontrolujte vybavenie detského ihriska, poškodené komponenty včas vymeňte.
- Skontrolujte všetky poťahy, či nemajú skrutky a ostré hrany, a každý mesiac ich vymeňte.
- Naolejujte všetky kovové pohyblivé časti.
- Skontrolujte všetky krytiny, či neobsahujú skrutky a ostré hrany, a v prípade potreby ich mesačne vymeňte.
- Večer a v zime uložte hojdačky do garáže alebo do domu.
- Raz ročne skontrolujte stav ochrannej vrstvy škvŕn. V závislosti od klimatických podmienok potrebuje domček na hranie AXI novú vrstvu moridla raz alebo dvakrát ročne.
- VAROVANIE: Nedodržanie údržby môže viesť k nebezpečným situáciám.

MONTÁŽ TRETEJ STRANY

Ak sa rozhodnete použiť na montáž tohto výrobku osobu alebo službu tretej strany, výrobca nenesie žiadnu zodpovednosť za akékoľvek poplatky za montážne služby. Ďalšie informácie o krytí poškodených a chýbajúcich dielov nájdete v našej záruke. Cenu zakúpených dielov zákazníčkovi neuhradíme.



ZNEŠKODNENIE:

Keď si už nebudete chcieť s jednotkou hrať alebo si ju ponechať, mala by sa rozobrať a zlikvidovať takým spôsobom, aby v čase likvidácie jednotky neexistovalo žiadne neprimerané nebezpečenstvo. Dodržiavajte miestne nariadenia o odpadoch.

HU – FIGYELEM!

ÁLTALÁNOS UTASÍTÁS:

- A SÚLYOS SÉRÜLÉSEK KOCKÁZATÁNAK CSÖKKENTÉSE ÉRDEKÉBEN HASZNÁLAT ELŐTT OLVASSA EL ÉS KÖVESSE EZEKET AZ UTASÍTÁSOKAT.
- FOLYAMATOS FELNŐTT FELÜGYELET SZÜKSÉGES. EZT A HINTÁT CSAK FELNÖTTEK SZERELHETIK ÖSSZE.
- KIZÁRÓLAG HÁZTARTÁSI HASZNÁLATRA. KIZÁRÓLAG KÜLTÉRI HASZNÁLATRA. EZ A KÉSZÜLÉK NEM NYILVÁNOS HASZNÁLATRA KÉSZÜLT.
- EZ A KÉSZÜLÉK 3-10 ÉVES GYERMEKEK SZÁMÁRA AJÁNLOTT.
- NE MÓDOSÍTSA AZ EREDETI KIALAKÍTÁST.
- Gyermekek nem használhatják ezt a terméket az illetékes felnőtt általi teljes összeszerelés és ellenőrzés előtt. A készüléket használat előtt teljesen össze kell szerelni, megfelelően fel kell szerelni és le kell horgonyozni.

ÖSSZESZERELÉSI UTASÍTÁSOK:

- Ne telepítse az otthoni játszótéri eszközöket betonra, aszfaltra vagy más kemény felületre.
- Telepítsen és tartson fenn ütécscillapító anyagot a készülék alá és köré a jelen kézikönyvben javasoltak szerint.
- Helyezze ezt a készüléket sík talajra, legalább 2 méterre minden akadálytól, mint például garázs vagy ház, kerítés, oszlopok, fák, járdák, falak, tájfák, kövek, járda, növénytartók, kerti szegélyek, kiálló ágak, szennyestartó vonalak és elektromos vezetékek.
- FELNŐTT ÖSSZESZERELÉS SZÜKSÉGES. Ez a termék apró, éles szélű és hegyű alkatrészeket tartalmaz. A részeket a teljes összeszerelésig tartsa távol a gyermekektől.
- Válasszon sík felületet ehhez a berendezéshez. Ez csökkentheti a készülék felborulásának valószínűségét és a laza töltelékanyag elmosódásának esélyét heves esőzések során.
- NE engedje, hogy a gyermekek ezen a készüléken játsszanak, amíg az összeszerelés be nem fejeződött és a készüléket megfelelően le nem rögzítették.
- Kérjük, őrizze meg ezt az utasítást arra az esetre, ha kapcsolatba kell lépni a gyártóval.
- A HINTA ÉS A TALAJ KÖZÖTTI MINIMÁLIS TÁVOLSÁG 350 MM.
- A csúszdát a közvetlen napfénytől távol helyezze el, hogy csökkentse a súlyos égési sérülések lehetőségét.
- A terméket le kell horgonyozni

BIZTONSÁGI UTASÍTÁSOK:

- A HELYSZÍNEEN, FOLYAMATOS FELNŐTT FELÜGYELET SZÜKSÉGES MINDEN KORÚ GYERMEK SZÁMÁRA.
- NE menjen a mozgó hinták vagy más mozgó berendezések közelébe, elé, mögé vagy közé.
- NE csavarja meg a hinták láncait és köteleit, illetve ne hurkolja át azokat a felső tartó rúd fölött, mert ez csökkentheti a lánc vagy a

kötél szilárdságát.

- NE tolja az üres hintaüléseket, hogy megakadályozza, hogy azok visszalendüljenek és esetleges sérülést okozzanak.
- A gyermekeknek teljes testsúlyukkal a hinta közepén kell ülniük, hogy megelőzzék a hinták kiszámíthatatlan mozgását és a hintáról való leesést.
- NE engedje, hogy a gyermekek a rendeltetésétől eltérő módon használják a berendezést.
- NE csússzon fejfelé előre. Mindig lábbal előre menjen le a csúszdán.
- Csúszás előtt nézzen körül, hogy megbizonyosodjon arról, hogy senki sem tartózkodik a csúszda alján. Soha ne fusson fel a csúszdán, mert ez növeli a leesés kockázatát.
- NE kússzon vagy másszon fel a tetőre.
- Ellenőrizze, hogy a felfüggesztett mászókötelek, láncok vagy kábelek mindkét végén rögzítve vannak-e, és hogy nem tudnak-e visszahurkolózni önmagukra, és nem jelentenek-e fennakadásveszélyt.
- Forró napokon ellenőrizze a csúszdát és más műanyag alkatrészeket, hogy ne legyenek túl forróak a használathoz. A forró csúszdát és a műanyag elemeket vízzel hűtse le, és használat előtt törölje szárazra.

KARBANTARTÁS:

- Minden játékszezon kezdetén húzza meg az összes hardvert, rendszeresen ellenőrizze az összes csavart és csavart, és szükség esetén húzza meg őket.
- Ellenőrizze a játszótéri eszközöket, a sérült alkatrészeket időben cserélje ki.
- Ellenőrizze az összes burkolatot csavarok és éles szélek tekintetében, és havonta cserélje ki.
- Olajozzon be minden fémből készült mozgó alkatrészt.
- Ellenőrizze az összes burkolatot csavarok és éles szélek tekintetében, és szükség esetén havonta cserélje ki.
- Tárolja a hintaszékeket esténként és télen a garázsban vagy a házban.
- Évente egyszer ellenőrizze a védőfoltréteg állapotát. Az éghajlattól függően az AXI játszóház évente egyszer vagy kétszer új festékréteget igényel.
- FIGYELMEZTETÉS: A karbantartás elmulasztása veszélyes helyzetekhez vezethet.

HARMADIK FÉL ÁLTALI ÖSSZESZERELÉS

Amennyiben Ön úgy dönt, hogy harmadik féltől származó személyt vagy szolgáltatást vesz igénybe a termék összeszereléséhez, a gyártó nem vállal felelősséget vagy felelősséget az összeszerelési szolgáltatásokért felmerülő díjakért. A sérült és hiányzó alkatrészek cseréjére vonatkozó fedezetről bővebb információt a garanciában talál. A vásárolt alkatrészek árát nem térítjük vissza az ügyfélnek.



MEGSZERZÉS:

Ha már nem kíván a készülékkel játszani vagy megtartani, azt szét kell szerelni és úgy kell ártalmatlanítani, hogy a készülék kidobásakor ne álljon fenn indokolatlan veszély. Kövesse a helyi hulladékkezelési előírásokat.

DK – ADVARSEL!

GENEREL INSTRUKTION:

- FOR AT REDUCERE RISIKOEN FOR ALVORLIG PERSONSKADE SKAL DU LÆSE OG FØLGE DISSE INSTRUKTIONER FØR BRUG.
- KONSTANT OPSYN FRA EN VOKSEN ER PÅKRÆVET. DETTE GYNGESTATIV MÅ KUN SAMLES AF VOKSNE
- KUN TIL BRUG I HJEMMET. KUN TIL UDENDØRS BRUG. DENNE ENHED ER IKKE BEREGNET TIL OFFENTLIG BRUG.
- DENNE ENHED ANBEFALES TIL BØRN I ALDEREN 3-10 ÅR.

- DET ORIGINALE DESIGN MÅ IKKE ÆNDRES.
- Børn må ikke bruge dette produkt, før det er færdigmonteret og kontrolleret af en kompetent voksen. Enheden skal være fuldt samlet, korrekt installeret og forankret før brug.

MONTERINGSVEJLEDNING:

- Installer ikke legeredskaber til hjemmet på beton, asfalt eller andre hårde overflader.
- Installer og vedligehold stødabsorberende materiale under og omkring dette redskab som anbefalet i denne manual.
- Placer enheden på et plant underlag mindst 2 meter fra enhver forhindring som f.eks. garage eller hus, hegn, stolper, træer, fortove, mure, landskabstræer, sten, fortov, plantekasser, haveborde, overhængende grene, vasketøjsnøre og elektriske ledninger.
- **SAMLING AF VOKSNE PÅKRÆVET.** Dette produkt indeholder små dele og dele med skarpe kanter og spidser. Hold delene væk fra børn, indtil de er samlet.
- Vælg en plan overflade til dette udstyr. Dette kan reducere sandsynligheden for, at enheden vælter, og at løst fyldmateriale skylles væk under kraftig regn.
- Lad IKKE børn lege på denne enhed, før monteringen er afsluttet, og enheden er korrekt forankret.
- Gem venligst denne instruktion, hvis det skulle blive nødvendigt at kontakte producenten.
- **MINIMUMSAFSTANDEN MELLEMLYNGEN OG JORDEN ER 350 MM.**
- Placer rutsjebanen uden for direkte sollys for at reducere risikoen for alvorlige forbrændinger.
- Produktet skal være forankret

SIKKERHEDSINSTRUKTIONER:

- **DER KRÆVES KONSTANT VOKSENOPSYN PÅ STEDET FOR BØRN I ALLE ALDRE.**
- Gå IKKE tæt på, foran, bagved eller mellem gynger eller andet bevægeligt udstyr.
- Vrid IKKE gyngernes kæder og reb, og læg dem ikke i løkker over den øverste støttebjælke, da det kan reducere kædens eller rebets styrke.
- Skub IKKE til tomme gyngesæder for at forhindre dem i at svinge tilbage og forårsage mulig skade.
- Børn skal sidde med fuld vægt i midten af gyngen for at forhindre uberegnelige gyngelbevægelser og fald fra gyngerne.
- Tillad IKKE børn at bruge udstyret på en anden måde end den tilsigtede.
- Rutsj IKKE med hovedet først. Gå altid ned ad rutsjebanen med fødderne først.
- Se dig for, før du rutsjer, for at sikre, at der ikke er nogen i bunden af rutsjebanen. Løb aldrig op ad en rutsjebane, da det øger risikoen for at falde.
- Kravl eller klatr IKKE på taget.
- Kontrollér, at alle ophængte klatrereb, kæder eller kabler er sikret i begge ender, og at de ikke kan vikles tilbage om sig selv og skabe fare for at blive viklet ind.
- På varme dage skal du kontrollere rutsjebanen og andre plastikkomponenter for at sikre, at de ikke er for varme til brug. Afkøl den varme rutsjebane og eventuelle plastforlystelser med vand, og tør dem af inden brug.

VEDLIGEHOLDELSE:

- Stram al hardware i begyndelsen af hver legesæson, kontroller regelmæssigt alle bolte og skruer, og stram dem, hvis det er nødvendigt.
- Tjek dit legepladsudstyr, udskift beskadigede komponenter i tide.
- Tjek al beklædning for bolte og skarpe kanter, og udskift den hver måned.
- Olie alle metalliske bevægelige dele.

- Tjek alle beklædninger for bolte og skarpe kanter, og udskift dem om nødvendigt hver måned.
- Opbevar gyngesæderne i garagen eller i huset om aftenen og om vinteren.
- Kontroller tilstanden af det beskyttende bejdse-lag en gang om året. Afhængigt af klimaet skal AXI legehuset have et nyt lag bejdse en eller to gange om året.
- ADVARSEL: Manglende vedligeholdelse kan føre til farlige situationer.

MONTERING AF TREDJEPART

Hvis du vælger at bruge en tredjeparts person eller tjeneste til at samle dette produkt, påtager producenten sig intet ansvar for eventuelle udgifter til monterings tjenester. Se venligst vores garanti for mere information om dækning af beskadigede og manglende dele. Vi refunderer ikke kunden for prisen på købte dele.



BORTSKAFFELSE:

Når du ikke længere ønsker at lege med eller beholde enheden, skal den skilles ad og bortskaffes på en sådan måde, at der ikke er nogen urimelige farer på det tidspunkt, hvor enheden kasseres. Følg de lokale affaldsregulativer.

SV – VARNING!

ALLMÄN ANVISNING:

- FÖR ATT MINSKA RISKEN FÖR ALLVARLIGA PERSONSKADOR, LÄS OCH FÖLJ DESSA INSTRUKTIONER FÖRE ANVÄNDNING.
- KONTINUERLIG ÖVERVAKNING AV VUXEN KRÄVS. DENNA GUNGSTÄLLNING MÅSTE MONTERAS AV VUXNA
- ENDAST FÖR HUSHÅLLSBRUK. ENDAST FÖR UTOMHUSBRUK. DENNA ENHET ÄR INTE AVSEDD FÖR OFFENTLIG ANVÄNDNING.
- DENNA ENHET REKOMMENDERAS FÖR BARN I ÅLDERN 3-10 ÅR.
- MODIFIERA INTE DEN URSPRUNGLIGA DESIGNEN.
- Barn får inte använda denna produkt innan den är fullständigt monterad och inspekterad av en behörig vuxen. Enheten måste vara helt monterad, korrekt installerad och förankrad före användning.

MONTERINGSANVISNINGAR:

- Installera inte lekredskap för hemmabruk på betong, asfalt eller något annat hårt underlag.
- Installera och underhåll stötdämpande material under och runt enheten enligt rekommendationerna i den här handboken.
- Placera enheten på ett plant underlag minst 2 meter från hinder som garage eller hus, staket, stolpar, träd, trottoarer, väggar, trädgårdsvirke, stenar, trottoarer, planteringar, trädgårdsrabatter, överhängande grenar, tvättlinor och elledning.
- MONTERING KRÄVS AV VUXEN. Denna produkt innehåller små delar och delar med vassa kanter och spetsar. Håll delarna borta från barn tills de är helt monterade.
- Välj en plan yta för denna utrustning. Detta kan minska risken för att enheten tippar över och att löst fyllnadsmaterial sköljs bort vid kraftiga regn.
- Låt INTE barn leka på enheten förrän monteringen är klar och enheten är ordentligt förankrad.
- Spara denna instruktion i händelse av att tillverkaren måste kontaktas.
- MINSTA AVSTÅND MELLAN GUNGA OCH MARK ÄR 350 MM.
- Placera gungan så att den inte utsätts för direkt solljus för att minska risken för allvarliga brännskador.
- Produkten måste förankras

SÄKERHETSINSTRUKTIONER:

- PÅ PLATS KRÄVS KONTINUERLIG TILLSYN AV VUXNA FÖR BARN I ALLA ÅLDRAR.
- Gå INTE nära, framför, bakom eller mellan rörliga gungor eller annan rörlig utrustning.
- Vrid INTE gungornas kedjor och rep och slingra dem inte över den övre stödstången, eftersom detta kan minska kedjans eller repets hållfasthet.
- Skjut INTE på tomma gungstolar för att förhindra att de svänger tillbaka och orsakar skador.
- Barn ska sitta med hela sin vikt i mitten av gungan för att förhindra oberäkneliga gungrörelser och fall från gungorna.
- TILLÅT INTE barn att använda utrustningen på annat sätt än avsett.
- Rutscha INTE med huvudet först. Gå alltid nedför rutschkanan med fötterna först.
- Titta innan du åker för att försäkra dig om att ingen befinner sig längst ner i rutschkanan. Spring aldrig uppför en rutschkana, eftersom det ökar risken för att falla.
- Kryp eller klättra INTE på taket.
- Kontrollera att hängande klätterrep, kedjor eller vajrar är säkrade i båda ändar och att de inte kan rullas tillbaka på sig själva och skapa en risk för intrassling.
- Under varma dagar, kontrollera rutschkanan och andra plastkomponenter för att säkerställa att de inte är för varma för att användas. Kyl den varma rutschkanan och alla plastkomponenter med vatten och torka torrt före användning.

UNDERHÅLL:

- Dra åt alla skruvar i början av varje leksäsong, kontrollera regelbundet alla bultar och skruvar och dra åt dem om det behövs.
- Kontrollera lekplatsutrustningen och byt ut skadade komponenter i tid.
- Kontrollera alla skydd för bultar och vassa kanter och byt ut dem varje månad.
- Olja in alla rörliga metalldelar.
- Kontrollera alla skydd för bultar och vassa kanter och byt ut om det är nödvändigt per månad.
- Förvara gungstolarna i garaget eller i huset på kvällen och på vintern.
- Kontrollera det skyddande betsskiktets skick en gång om året. Beroende på klimatet behöver AXI lekstuga ett nytt lager bets en eller två gånger per år.
- VARNING: Underlåtenhet att underhålla kan leda till farliga situationer.

MONTERING AV TREDJE PART

Om du väljer att använda en tredje parts person eller tjänst för att montera denna produkt, tar tillverkaren inget ansvar för eventuella kostnader som uppstår för monterings tjänster. Se vår garanti för mer information om ersättning för skadade och saknade delar. Vi kommer inte att ersätta kunden för priset på inköpta delar.



KASSERING:

När du inte längre vill leka med eller behålla enheten ska den demonteras och kasseras på ett sådant sätt att inga orimliga risker föreligger vid den tidpunkt då enheten kasseras. Följ lokala avfallsbestämmelser.

NO – ADVARSEL!

GENERELLE INSTRUKSJONER:

- FOR Å REDUSERE RISIKOEN FOR ALVORLIG PERSONSKADE MÅ DU LESE OG FØLGE DISSE INSTRUKSJONENE FØR BRUK.
- KONTINUERLIG TILSYN AV EN VOKSEN ER PÅKREVD. DETTE HUSKESETTET MÅ MONTERES AV VOKSNE
- KUN TIL BRUK I HJEMMET. KUN TIL UTENDØRS BRUK. DENNE ENHETEN ER IKKE BEREGNET FOR OFFENTLIG BRUK.

- DENNE ENHETEN ANBEFALES FOR BARN I ALDEREN 3-10 ÅR.
- IKKE MODIFISER DET ORIGINALE DESIGNET.
- Barn må ikke bruke dette produktet før det er ferdig montert og inspisert av en kompetent voksen. Enheten må være ferdig montert, riktig installert og forankret før bruk.

MONTERINGSANVISNINGER:

- Ikke installer lekeapparater på betong, asfalt eller andre harde underlag.
- Installer og vedlikehold støtdempende materiale under og rundt denne enheten som anbefalt i denne håndboken.
- Plasser lekeapparatet på et plant underlag minst 2 meter fra hindringer som garasje eller hus, gjerder, stolper, trær, fortau, murer, treverk, steiner, fortau, plantekasser, hagekanter, overhengende greiner, klesvasksnorer og elektriske ledninger.
- KREVER MONTERING AV VOKSNE. Dette produktet inneholder små deler og deler med skarpe kanter og spisser. Hold delene utilgjengelig for barn til de er ferdig montert.
- Velg et jevnt underlag for dette utstyret. Dette kan redusere sannsynligheten for at enheten velter og at løst fyllmateriale skylles bort under kraftig regnvær.
- IKKE la barn leke på denne enheten før monteringen er fullført og enheten er ordentlig forankret.
- Ta vare på denne instruksjonen i tilfelle produsenten må kontaktes.
- MINIMUMSAVSTANDEN MELLOM HUSKEN OG BAKKEN ER 350 MM.
- Plasser sklien utenfor direkte sollys for å redusere risikoen for alvorlige brannskader.
- Produktet må være forankret

SIKKERHETSINSTRUKSJONER:

- DET KREVES KONTINUERLIG TILSYN AV VOKSNE PÅ STEDET FOR BARN I ALLE ALDRE.
- IKKE gå i nærheten av, foran, bak eller mellom bevegelige husker eller annet bevegelig utstyr.
- IKKE vri kjettingene og tauene til huskene eller legge dem i en løkke over den øverste støttestangen, da dette kan redusere styrken på kjettingen eller tauet.
- IKKE dytt tomme huskeseter for å hindre at de svinger tilbake og forårsaker mulig skade.
- Barn bør sitte med full vekt i midten av husken for å unngå uberegnelige svingbevegelser og at de faller av huskene.
- IKKE la barn bruke utstyret på en annen måte enn det som er tiltenkt.
- IKKE skli med hodet først. Gå alltid ned sklien med føttene først.
- Se deg for før du sklir for å forsikre deg om at ingen befinner seg i bunnen av sklien. Løp aldri opp en sklie, da dette øker risikoen for å falle.
- IKKE kryp eller klatre på taket.
- Kontroller at opphengt klatretau, kjetting eller kabel er sikret i begge ender og at det ikke kan vikles tilbake på seg selv og utgjøre en fare for å vikle seg inn.
- På varme dager bør du kontrollere at sklien og andre plastkomponenter ikke er for varme til at de kan brukes. Avkjøl den varme sklien og eventuelle plastforlystelser med vann og tørk dem av før bruk.

VEDLIKEHOLD:

- Stram til alle skruer og bolter i begynnelsen av hver lekesesong, kontroller dem regelmessig og etterstram dem hvis det er nødvendig.
- Kontroller lekeplassutstyret, og skift ut skadde komponenter i tide.
- Sjekk alle kledninger for bolter og skarpe kanter, og skift dem ut hver måned.
- Smør alle bevegelige metaldeler med olje.

- Sjekk alle kledninger for bolter og skarpe kanter, og skift dem ut hver måned hvis det er nødvendig.
- Oppbevar huskestolene i garasjen eller i huset om kvelden og om vinteren.
- Kontroller tilstanden til det beskyttende beislaget en gang i året. Avhengig av klimaet trenger AXI lekehus et nytt lag med beis en til to ganger i året.
- ADVARSEL: Manglende vedlikehold kan føre til farlige situasjoner.

MONTERING AV TREDJEPART

Hvis du velger å bruke en tredjeparts person eller tjeneste til å montere dette produktet, påtar produsenten seg intet ansvar for eventuelle kostnader som påløper for monterings tjenester. Se garantien vår for mer informasjon om dekning av erstatning av skadede og manglende deler. Vi refunderer ikke prisen på deler som kunden har kjøpt.



AVHENDING:

Når du ikke lenger ønsker å leke med eller beholde enheten, skal den demonteres og kastes på en slik måte at det ikke foreligger noen urimelig fare når enheten kastes. Følg de lokale avfallsforskriftene.

ΕΛ ΠΡΟΕΙΔΟΠΟΙΗΣΗ!

ΓΕΝΙΚΕΣ ΟΔΗΓΙΕΣ:

- ΔΙΑΒΑΣΤΕ ΚΑΙ ΑΚΟΛΟΥΘΗΣΤΕ ΑΥΤΕΣ ΤΙΣ ΟΔΗΓΙΕΣ ΠΡΙΝ ΑΠΟ ΤΗ ΧΡΗΣΗ.
- ΑΠΑΙΤΕΙΤΑΙ ΣΥΝΕΧΗΣ ΕΠΙΒΛΕΨΗ ΑΠΟ ΕΝΗΛΙΚΑ. ΑΥΤΗ Η ΚΟΥΝΙΑ ΠΡΕΠΕΙ ΝΑ ΣΥΝΑΡΜΟΛΟΓΕΙΤΑΙ ΑΠΟ ΕΝΗΛΙΚΕΣ
- ΜΟΝΟ ΓΙΑ ΟΙΚΙΑΚΗ ΧΡΗΣΗ. ΜΟΝΟ ΓΙΑ ΧΡΗΣΗ ΣΕ ΕΞΩΤΕΡΙΚΟΥΣ ΧΩΡΟΥΣ. ΑΥΤΗ Η ΜΟΝΑΔΑ ΔΕΝ ΠΡΟΟΡΙΖΕΤΑΙ ΓΙΑ ΔΗΜΟΣΙΑ ΧΡΗΣΗ.
- ΑΥΤΗ Η ΜΟΝΑΔΑ ΣΥΝΙΣΤΑΤΑΙ ΓΙΑ ΠΑΙΔΙΑ ΗΛΙΚΙΑΣ 3-10 ΕΤΩΝ.
- ΜΗΝ ΤΡΟΠΟΠΟΙΕΙΤΕ ΤΟΝ ΑΡΧΙΚΟ ΣΧΕΔΙΑΣΜΟ.
- Τα παιδιά δεν πρέπει να χρησιμοποιούν αυτό το προϊόν πριν από την πλήρη συναρμολόγηση και επιθεώρηση από αρμόδιο ενήλικα. Η μονάδα πρέπει να συναρμολογηθεί πλήρως, να εγκατασταθεί σωστά και να αγκυρωθεί πριν από τη χρήση.

ΟΔΗΓΙΕΣ ΣΥΝΑΡΜΟΛΟΓΗΣΗΣ:

- Μην εγκαθιστάτε τον οικιακό εξοπλισμό παιδικής χαράς πάνω σε σκυρόδεμα, ασφαλτό ή οποιαδήποτε άλλη σκληρή επιφάνεια.
- Εγκαταστήστε και διατηρήστε υλικό απορρόφησης κραδασμών κάτω και γύρω από τη μονάδα αυτή, όπως συνιστάται στο παρόν εγχειρίδιο.
- Τοποθετήστε αυτή τη μονάδα σε επίπεδο έδαφος σε απόσταση τουλάχιστον 2 μέτρων από οποιοδήποτε εμπόδιο, όπως γκαράζ ή στίπι, φράχτες, στύλους, δέντρα, πεζοδρόμια, τοίχους, ξύλα τοπίου, πέτρες, πεζοδρόμιο, γλάστρες, παρτέρια κήπου, προεξέχοντα κλαδιά, σχοινιά πλυντηρίων και ηλεκτρικά καλώδια.
- ΑΠΑΙΤΕΙΤΑΙ ΣΥΝΑΡΜΟΛΟΓΗΣΗ ΑΠΟ ΕΝΗΛΙΚΑ. Αυτό το προϊόν περιέχει μικρά εξαρτήματα και εξαρτήματα με αιχμηρές άκρες και αιχμές. Κρατήστε τα μέρη μακριά από παιδιά μέχρι να συναρμολογηθεί πλήρως.
- Επιλέξτε μια επίπεδη επιφάνεια για αυτόν τον εξοπλισμό. Αυτό μπορεί να μειώσει την πιθανότητα ανατροπής της μονάδας και την πιθανότητα να παρασυρθεί το χαλαρό υλικό πλήρωσης κατά τη διάρκεια ισχυρών βροχοπτώσεων.
- ΜΗΝ επιτρέπετε στα παιδιά να παίζουν σε αυτή τη μονάδα μέχρι να ολοκληρωθεί η συναρμολόγηση και να στερεωθεί σωστά η μονάδα.
- Παρακαλούμε φυλάξτε αυτές τις οδηγίες για την περίπτωση που θα χρειαστεί να επικοινωνήσετε με τον κατασκευαστή.
- Η ΕΛΑΧΙΣΤΗ ΑΠΟΣΤΑΣΗ ΜΕΤΑΞΥ ΤΗΣ ΚΟΥΝΙΑΣ ΚΑΙ ΤΟΥ ΕΔΑΦΟΥΣ ΕΙΝΑΙ 350 MM.
- Τοποθετήστε την τσουλήθρα μακριά από το άμεσο ηλιακό φως για να μειώσετε το ενδεχόμενο σοβαρών εγκαυμάτων.

- Το προϊόν πρέπει να αγκυρώνεται

ΟΔΗΓΙΕΣ ΑΣΦΑΛΕΙΑΣ:

- ΕΠΙ ΤΟΠΟΥ, ΑΠΑΙΤΕΙΤΑΙ ΣΥΝΕΧΗΣ ΕΠΙΒΛΕΨΗ ΑΠΟ ΕΝΗΛΙΚΑ ΓΙΑ ΤΑ ΠΑΙΔΙΑ ΌΛΩΝ ΤΩΝ ΗΛΙΚΙΩΝ.
- ΜΗΝ περπατάτε κοντά, μπροστά, πίσω ή ανάμεσα σε κινούμενες κούνιες ή άλλο κινούμενο εξοπλισμό.
- ΜΗΝ στρίβετε τις αλυσίδες και τα σχοινιά των κούνιες ή μην τα βάζετε σε βρόχο πάνω από την επάνω μπάρα στήριξης, καθώς αυτό μπορεί να μειώσει την αντοχή της αλυσίδας ή του σχοινοιού.
- ΜΗΝ σπρώχνετε άδεια καθίσματα κούνιας για να τα αποτρέψετε από το να ταλαντευτούν προς τα πίσω και να προκαλέσουν πιθανό τραυματισμό.
- Τα παιδιά πρέπει να κάθονται με όλο το βάρος στο κέντρο της κούνιας για να αποφεύγονται οι ακανόνιστες κινήσεις της κούνιας και η πτώση από τις κούνιες.
- ΜΗΝ επιτρέπετε στα παιδιά να χρησιμοποιούν τον εξοπλισμό με τρόπο διαφορετικό από τον προβλεπόμενο.
- ΜΗΝ γλιστράτε με το κεφάλι μπροστά. Πάντα να κατεβαίνετε στην τσουλήθρα με τα πόδια πρώτα.
- Κοιτάξτε πριν γλιστρήσετε για να βεβαιωθείτε ότι κανείς δεν βρίσκεται στο κάτω μέρος της τσουλήθρας. Ποτέ μην τρέχετε προς τα πάνω σε μια τσουλήθρα, καθώς αυτό αυξάνει την πιθανότητα πτώσης.
- ΜΗΝ μπουσουλάτε ή σκαφαλώνετε στην οροφή.
- Βεβαιωθείτε ότι κάθε αναρτώμενο σκονί, αλυσίδα ή καλώδιο αναρρίχησης είναι ασφαλισμένο και στα δύο άκρα και ότι δεν μπορεί να γυρίσει πίσω στον εαυτό του και να δημιουργήσει κίνδυνο εμπλοκής.
- Τις ζεστές ημέρες, ελέγξτε την τσουλήθρα και άλλα πλαστικά εξαρτήματα για να βεβαιωθείτε ότι δεν είναι πολύ ζεστά για χρήση. Ψύξτε την καυτή τσουλήθρα και τυχόν πλαστικές βόλτες με νερό και σκουπίστε τα στεγνά πριν από τη χρήση.

ΣΥΝΤΗΡΗΣΗ:

- Σφίξτε όλα τα εξαρτήματα στην αρχή κάθε περιόδου παιχνιδιού, ελέγξτε τακτικά όλα τα μπουλόνια και τις βίδες και σφίξτε τα εάν είναι απαραίτητο.
- Ελέγξτε τον εξοπλισμό της παιδικής χαράς σας, αντικαταστήστε εγκαίρως τα κατεστραμμένα εξαρτήματα.
- Ελέγξτε όλα τα καλύμματα για μπουλόνια και αιχμηρές άκρες και αντικαταστήστε τα ανά μήνα.
- Λαδώνετε όλα τα μεταλλικά κινούμενα μέρη.
- Ελέγξτε όλα τα καλύμματα για μπουλόνια και αιχμηρές άκρες και αντικαταστήστε τα εάν είναι απαραίτητο ανά μήνα.
- Αποθηκεύστε τα καθίσματα της κούνιας στο γκαράζ ή στο σπίτι το βράδυ και το χειμώνα.
- Ελέγξτε την κατάσταση του προστατευτικού στρώματος λεκέδων μία φορά το χρόνο. Ανάλογα με το κλίμα, το παιδότοπο AXI χρειάζεται νέα στρώση λεκέδων μία ή δύο φορές το χρόνο.
- ΠΡΟΕΙΔΟΠΟΙΗΣΗ: Η μη συντήρηση μπορεί να οδηγήσει σε επικίνδυνες καταστάσεις.

ΣΥΝΑΡΜΟΛΟΓΗΣΗ ΑΠΟ ΤΡΙΤΟΥΣ

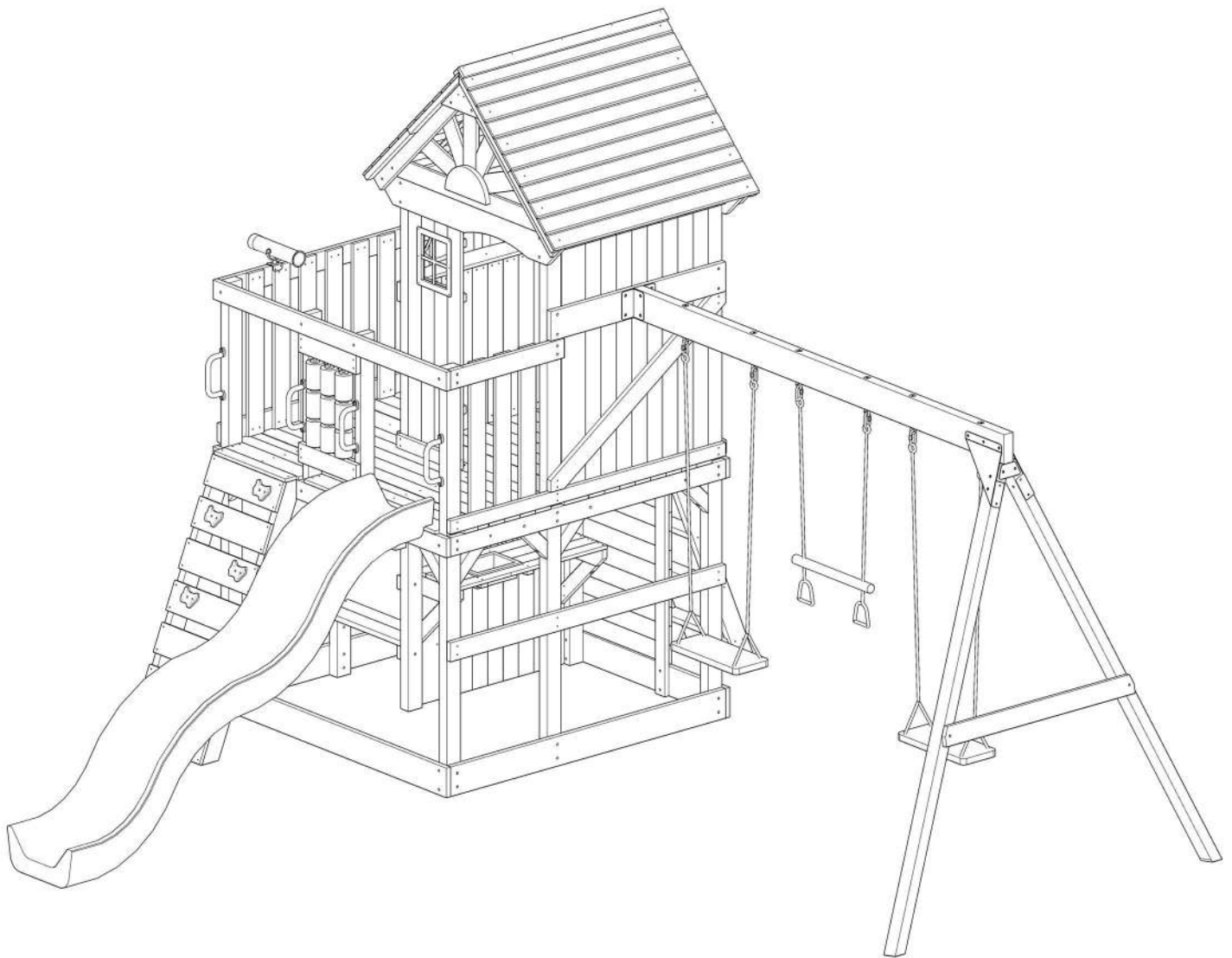
Σε περίπτωση που επιλέξετε να χρησιμοποιήσετε άτομο ή υπηρεσία τρίτου μέρους για τη συναρμολόγηση αυτού του προϊόντος, ο κατασκευαστής δεν αναλαμβάνει καμία ευθύνη ή υποχρέωση για οποιαδήποτε επιβάρυνση που προκύπτει για οποιεσδήποτε υπηρεσίες συναρμολόγησης. Ανατρέξτε στην εγγύησή μας για περισσότερες πληροφορίες σχετικά με την κάλυψη αντικατάστασης κατεστραμμένων και ελλειπόντων εξαρτημάτων. Δεν θα αποζημιώσουμε τον πελάτη για την τιμή των ανταλλακτικών που αγοράστηκαν.

ΑΠΟΡΡΙΨΗ:



Μόλις δεν επιθυμείτε πλέον να παίξετε ή να κρατήσετε τη μονάδα, θα πρέπει να αποσυναρμολογηθεί και να απορριφθεί, με τέτοιο τρόπο ώστε να μην υπάρχουν αδικαιολόγητοι κίνδυνοι κατά τη στιγμή της απόρριψης της μονάδας. Ακολουθήστε τις

τοπικές διατάξεις περί απορριμμάτων.



AXI

AXI is one of our brands with awesome products of great quality, that offers hours of active fun!

Pragma

Kruisboog 40

3905 TG Veenendaal

Netherlands

T: +31 (0)318 - 57 88 00

info@pragma-trading.com

www.pragma-trading.com